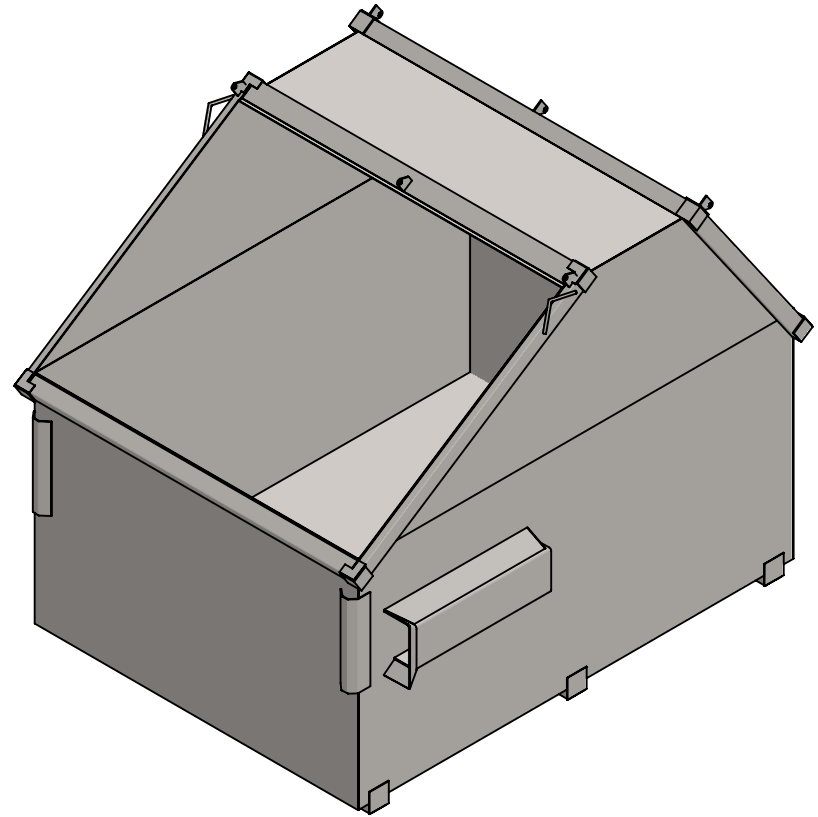
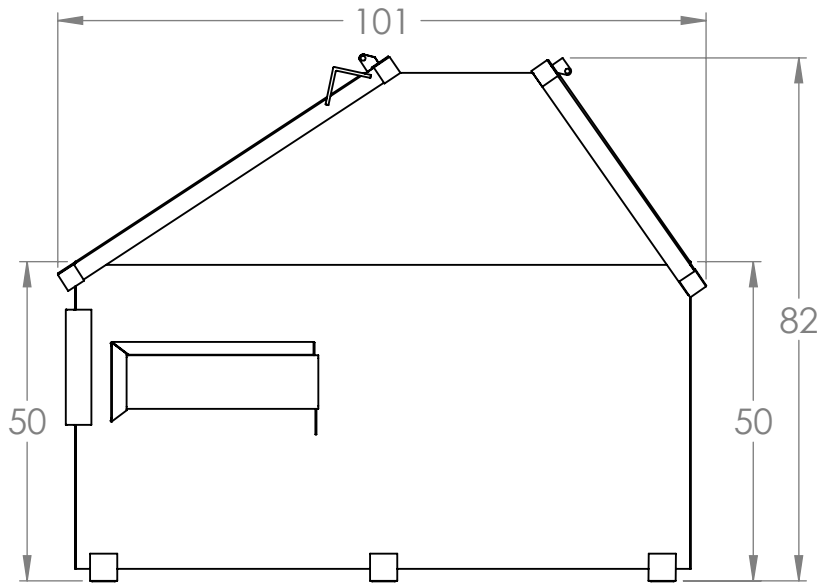


2

1

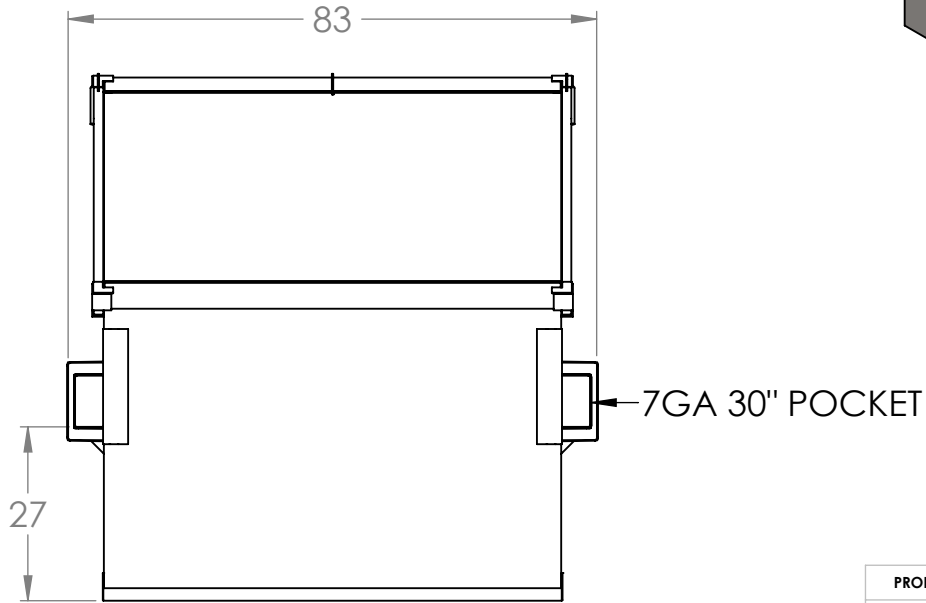
B

B



A

A



2

1

POYNETTE IRONWORKS

PROPRIETARY AND CONFIDENTIAL

THE INFORMATION CONTAINED IN THIS DRAWING IS THE SOLE PROPERTY OF POYNETTE IRONWORKS. ANY REPRODUCTION IN PART OR AS A WHOLE WITHOUT THE WRITTEN PERMISSION OF POYNETTE IRONWORKS IS PROHIBITED.

UNLESS OTHERWISE SPECIFIED:		TITLE:	
DIMENSIONS ARE IN INCHES		PART NO:	
TOLERANCES:		10 FLBN	DATE:
FRACTIONAL	±1/2	DESIGNED BY:	3/25/2020
WEIGHT	±5%	MATERIAL	REV -
SCALE: 1:30		WEIGHT: 1090	
			SHEET 1 OF 1