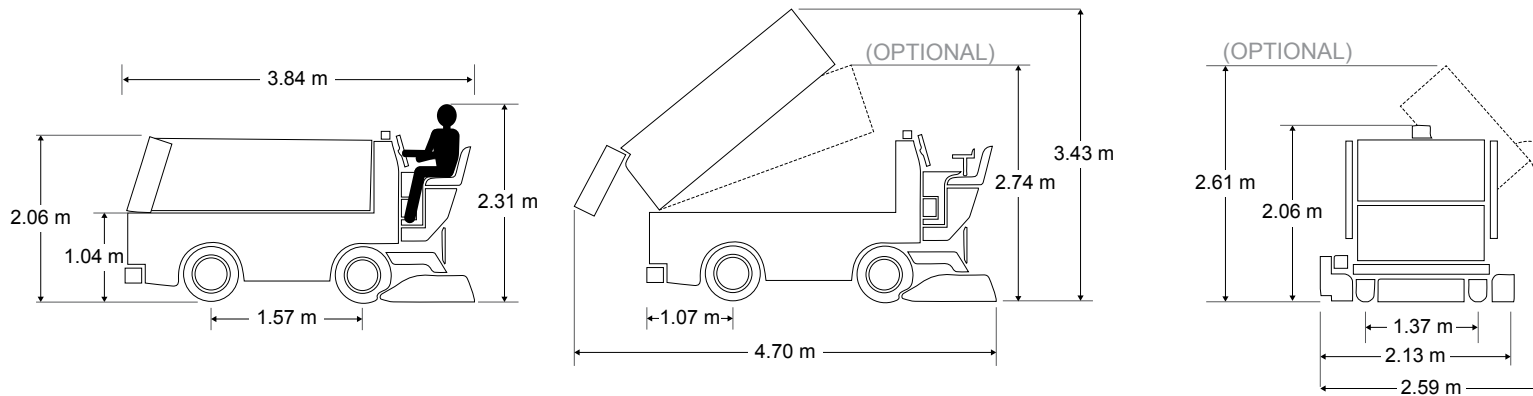


MODEL 446



CAPACITIES

Snow Tank

Actual Volume	2.66 m ³	94 cu. ft.
Compacted	3.17 m ³	122 cu. ft.

Water

Ice Making	627 L	166 gal.
Wash Water	218 L	58 gal.
Total	845 L	224 gal.

Hydraulic Oil	72 L	19 gal.
----------------------	------	---------

POWERTRAIN

Four-Wheel Drive	
Engine	Mitsubishi® 2.4 L / 59 HP at 2500 RPM Four Cylinder Liquid Cooled
Transmission	Continuously variable hydrostatic pump and motor are axial-piston type.
Hydraulics	Powerful single pump for the vertical and horizontal augers. Hydraulic down pressure for optimal resurfacing results.

Axles

Front	1950 kg	4300 lb
Rear	2177 kg	4800 lb

Brakes	Full Hydrodynamic Braking with Rear Drum Brakes
---------------	---

DIMENSIONS

Overall

	L	W	H	L	W	H
Snow Tank Down	3.84 m	2.13 m	2.06 m	151 in.	84 in.	81 in.
Snow Tank Up	4.70 m	2.13 m	3.43 m	185 in.	84 in.	135 in.

Shaving Blade

	L	W	H	L	W	H
	195.6 cm	12.7 cm	1.27 cm	77 in.	5 in.	0.5 in.

Clearance

Minimum Operator Height Clearance	2.31 m	91 in.
Snow Pit Clearance	104.1 cm	41 in.

Conveyor System

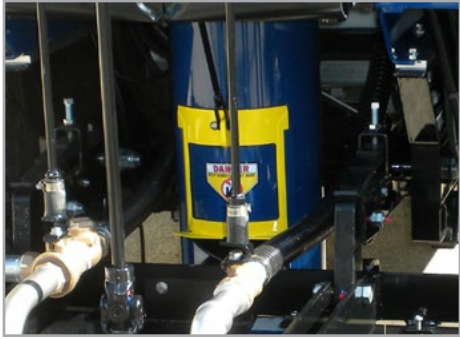
Horizontal Auger Diameter	25.4 cm	10 in.
Vertical Auger Diameter	25.4 cm	10 in.

Manueverability

Wheelbase	1.57 m	62 in.
Wheel Track	1.37 m	54 in.
Turning Radius at Conditioner	4.57 m	15 ft.

Weight

Empty	2660 kg	5860 lb
with Water	3502 kg	7720 lb



Automatic Snow Breaker

Eliminates the need for manual control of the snow breaker by the machine operator.

*optional equipment



Integrated Auger Washout System

Simplifies the vertical and horizontal auger washout task, from a single point on the conditioner.

*optional equipment



Ergonomic Seat

Designed with the operator in mind, our premium seat has optimal adjustability.

*optional equipment

MODEL 446

STANDARD FEATURES

2 Year Warranty
 400 Micron Wash Water Deep Filter Bag
 Catalytic Converter
 Chassis: Strong All Welded Steel Tubing
 Conditioner Safety Guards
 Digital Training and Reference Materials
 Engine: CAN Bus System
 Engine: EPA and CARB Certified
 Familiar Automobile-Style Foot Controls
 Four-Wheel Drive
 Fuel: Gasoline, Propane (CNG optional)
 Full Hydrodynamic Braking
 Guide Wheel
 LED Headlights and Tail Light
 (for Off Ice Travel)
 High Quality 10 and 25 Micron Filters
 High Speed Vertical Auger
 Hydraulic Oil Level Sight Gauge
 Load Sensing Engine Governor

Multi-Function Display
 On-Dash Diagnostics
 Parking Brake
 Power Steering
 Premium Polyester Felt Spreader Towel
 Replaceable Poly Conditioner Side Plates
 Rugged Dana Spicer® Axles
 Snow Tank Safety Stand
 Spare Tire and Wheel
 Stainless Steel Hardware
 Steering Wheel Spinner Knob
 Touch-Up Paint Kit
 Tungsten Carbide Studded Tires
 Under Seat Storage
 Wide Spectrum of Premium Automotive
 Paint Colors

OPTIONS

Automatic Snow Breaker
 Back Up Alarm
[Blade Change System](#)
 Chrome Wheels
 Conditioner: Galvanized
 Electric Water Level Gauge
 Engine Diagnostic Computer Interface
 Tool
 Fire Extinguisher
 Heated Ergonomic Comfort Design Seat

- Armrest
- Seatbelt

 Hydraulic Oil Cooler Kit
 IceCaps® Wheel Advertising System
 Integrated Auger Washout System
[Level-Ice™](#)
 Low Fuel Light
 Rotating Beacon Light
 Side Snow Tank Dump
 Snow Melting Kit

Snow Tank Dump Height Restriction
 Snow Tank Light
 Snow Tank Non-Stick Liner
 Stainless Steel Water Distribution Pipe
 Tire Wash System
 Wash Water
 Wash Water to Ice Making Water Transfer
 Water Level Sight Gauge
[Zamboni Connect™ System](#)
 Zamboni Power Board Brush™ System