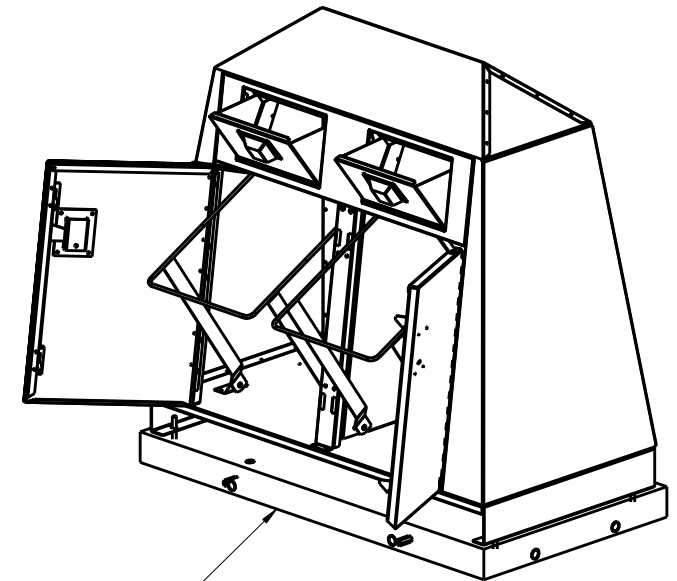
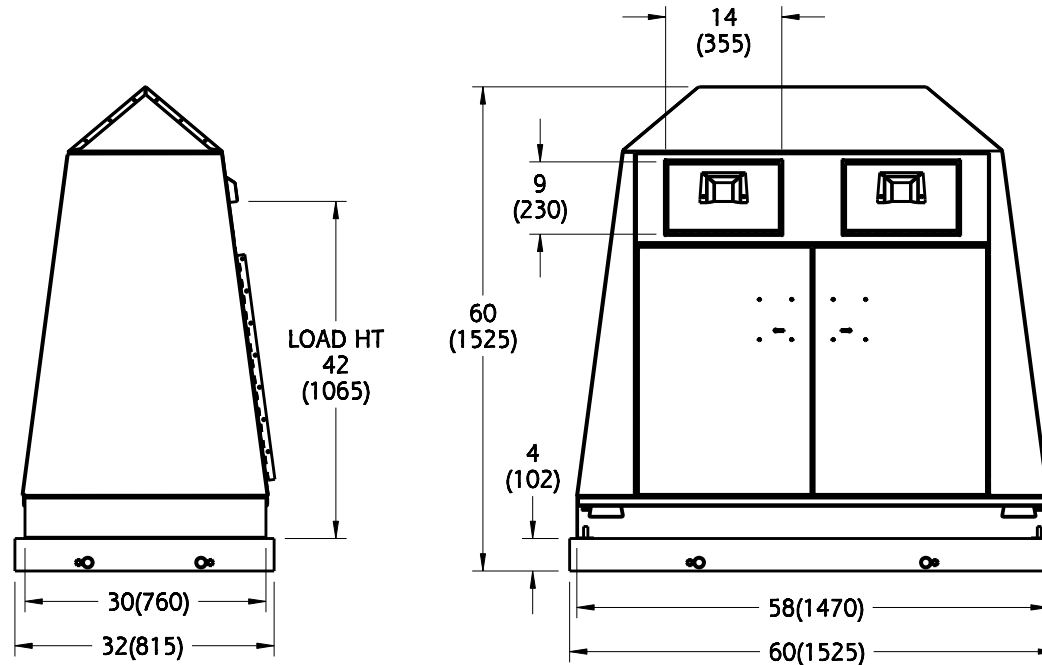
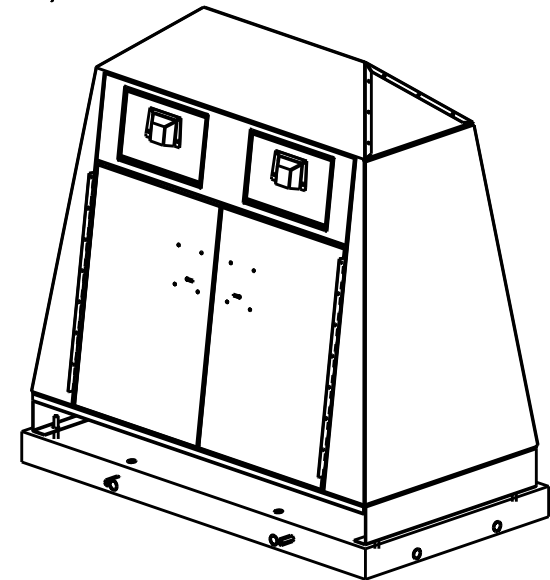


FEATURE	DESCRIPTION	SPECIFICATION
Capacity	Tilt Out Bag Cages	16-1/2 cu.ft. 125 US Gallons (470L)
	Poly Bag	2.5 mil 42 x 50 (1070 x 1270)
Construction	Housing	14 Ga. (1.9) Galvanneal
	Lid	16 Ga. (1.6) Galvanneal
	Floor	12 Ga. (2.6) Galvanneal
	Bottom Hinged User Doors	14 Ga. (1.9) Galvanneal
	Side Hinged Unloading Doors	14 Ga. (1.9) Galvanneal
	Hinges and Latches	Stainless Steel
	Paint	Powder Coat
Weights	Sentinal 125 Container	370lbs (165kg)
	(Optional) Pre-Cast Mounting Pad (OB-2702)	745lbs (340kg) 60x32x4 (1525x815x102)


ALL SPECIFICATIONS SUBJECT TO CHANGE WITHOUT NOTICE



MOUNTING PAD
(OPTIONAL)

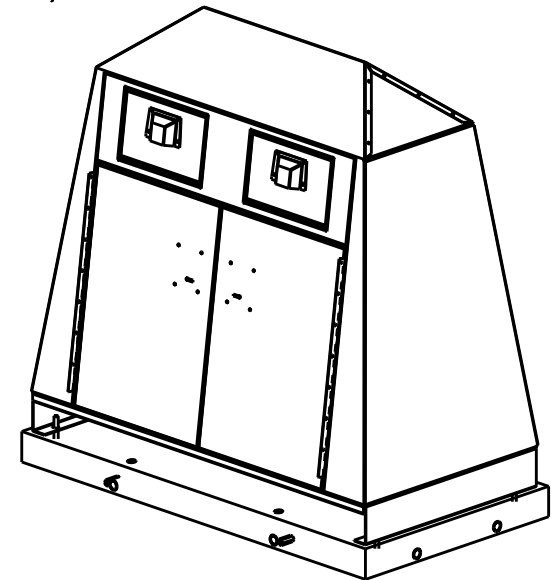
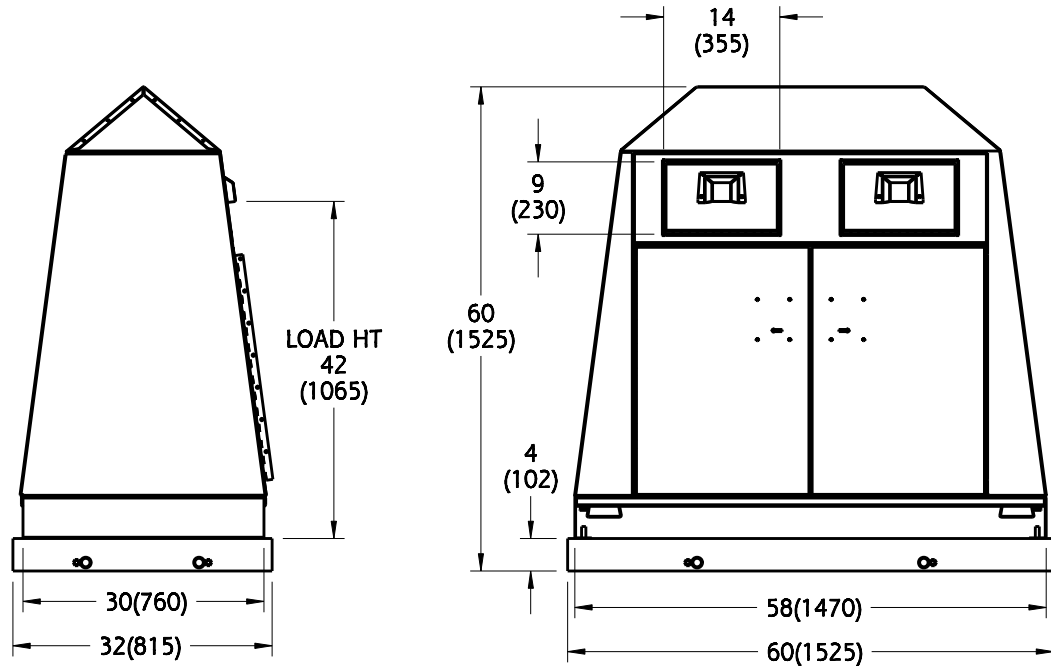
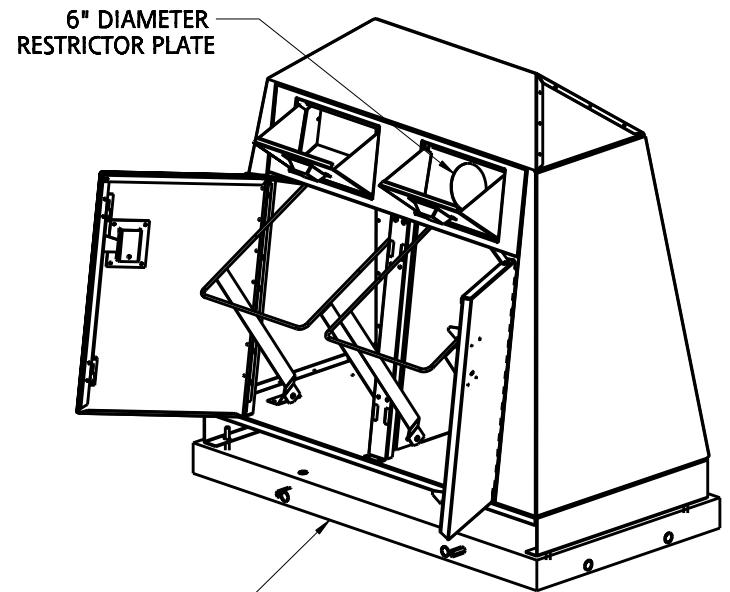


NOTE: ALL DIMENSIONS INCHES (MILLIMETERS)

TRAILER SIZE	QTY	<p>HAUL-ALL EQUIPMENT LTD. reserves proprietary rights on this drawing or any part of the information contained thereon. This drawing shall be considered confidential material and is not to be used for competitive bidding nor for use in any procurements other than from Haul-All Equipment Ltd.</p> 	NAME SENTINAL 125 CONTAINER	
8-1/2ft x 45ft	27		PART NUMBER SP-OB125	DRAWN BY PS
8-1/2ft x 53ft	30		DATE AUGUST 26, 2016	REVISION 1
B-Train 8-1/2ft x 28ft & 32ft	33			
Double Decker Van 8-1/2ft x 48ft	54			

FEATURE	DESCRIPTION	SPECIFICATION
Capacity	Tilt Out Bag Cages	16-1/2 cu.ft. 125 US Gallons (470L)
	Poly Bag	2.5 mil 42 x 50 (1070 x 1270)
Construction	Housing	14 Ga. (1.9) Galvanneal
	Lid	16 Ga. (1.6) Galvanneal
	Floor	12 Ga. (2.6) Galvanneal
	Bottom Hinged User Doors	14 Ga. (1.9) Galvanneal
	Side Hinged Unloading Doors	14 Ga. (1.9) Galvanneal
	Hinges and Latches	Stainless Steel
	Paint	Powder Coat
Weights	Sentinal 125 Container	370lbs (165kg)
	(Optional) Pre-Cast Mounting Pad (OB-2702)	745lbs (340kg) 60x32x4 (1525x815x102)

ALL SPECIFICATIONS SUBJECT TO CHANGE WITHOUT NOTICE



NOTE: ALL DIMENSIONS INCHES (MILLIMETERS)

TRAILER SIZE	QTY
8-1/2ft x 45ft	27
8-1/2ft x 53ft	30
B-Train 8-1/2ft x 28ft & 32ft	33
Double Decker Van 8-1/2ft x 48ft	54

HAUL-ALL EQUIPMENT LTD. reserves proprietary rights on this drawing or any part of the information contained thereon. This drawing shall be considered confidential material and is not to be used for competitive bidding nor for use in any procurements other than from Haul-All Equipment Ltd.



NAME		SENTINAL 125 CONTAINER	
PART NUMBER	SP-OB125R	DRAWN BY	PS
DATE	AUGUST 26, 2016	REVISION	1