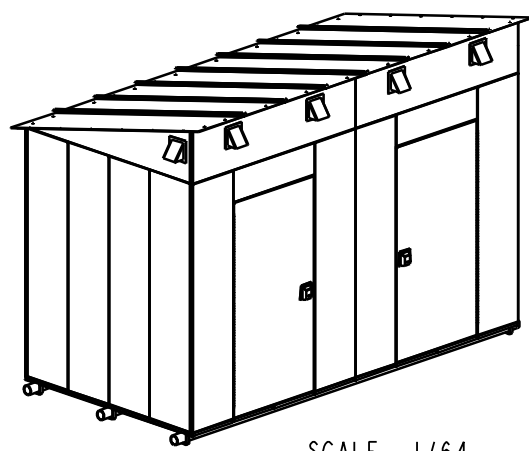
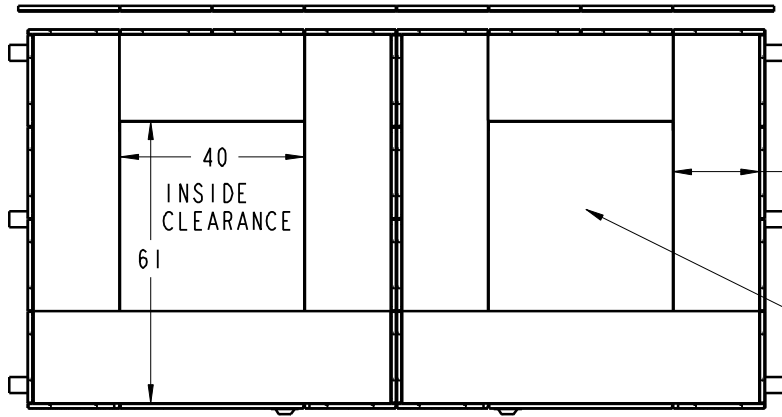


HAUL-ALL EQUIPMENT LTD.		NO.	REVISION	DCO NO DATE
PART NUMBER J10991-171	DRAWN BY PS-PS	1	RELEASED TO PRODUCTION.	PS 21 MAR 12
NAME BP FOOD STORAGE CACHE ASS'Y		2	X X X	X X
MATERIAL AS SHOWN	SCALE 1/40	3	X X X	x x
	FINISH NONE			

- ALL DIMENSIONS TO BE IN INCHES UNLESS OTHERWISE NOTED.
 - ALL DIMENSIONS TO BE $\pm 1/32"$ UNLESS OTHERWISE NOTED.
 - ANGULAR TOLERANCES: FORMED: $\pm 1^\circ$; MACHINED $\pm 0.5^\circ$



SCALE 1/64



40
INSIDE CLEARANCE
61

19 TYP
SHELF WIDTH

3/4" PLYWOOD INSERT
COATED WITH A
NON-SLIP COATING
BOTH SIDES, FOR
EACH STORAGE SPACE

6" DIAMETER
SCREENED AIR VENTS

