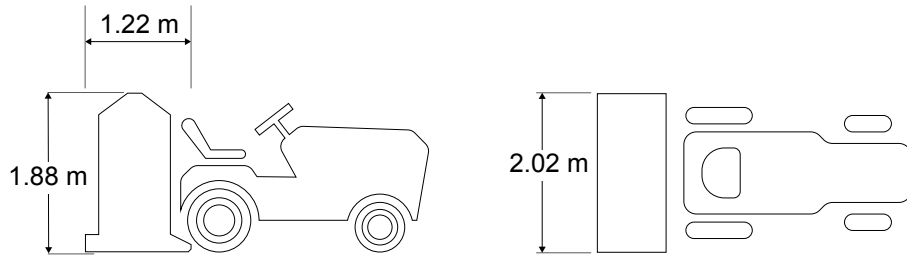


# MODEL 200



## CAPACITIES

### Snow Tank

Volume 1.42 m<sup>3</sup> 50 cu. ft.

### Water

Ice Making 424 L 112 gal.

## DIMENSIONS

Overall	L	W	H	L	W	H
Resurfacers Only	1.22 m	2.02 m	1.88 m	48 in.	79.5 in.	74 in.
Shaving Blade	L	W	H	L	W	H
195.6 cm   77 in. Blade	195.6 cm	12.7 cm	1.27 cm	77 in.	5 in.	0.5 in.

## Weight

Empty	567 kg	1250 lb
With Water	991 kg	2185 lb

## STANDARD FEATURES

Precision Chain Conveyor can Completely Fill Tank

Blade Holder Tapered Upward to "Feather" Away Edge Marks

Conveyor Safety Guards

Easy Blade Adjustment for Leveling and Depth of Cut

High Quality Premium Automotive Paint

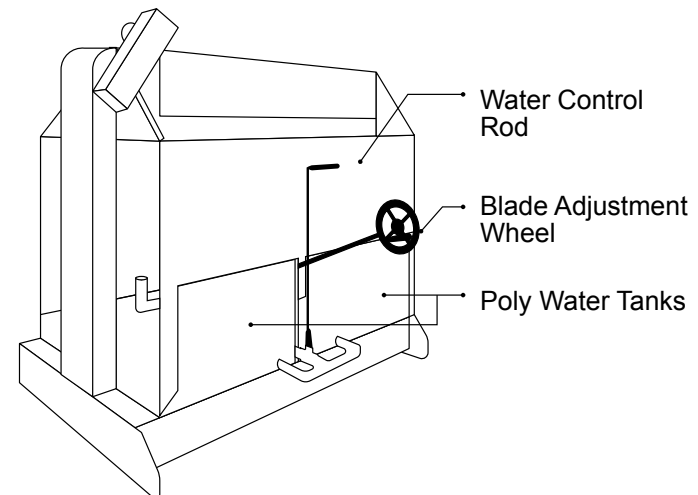
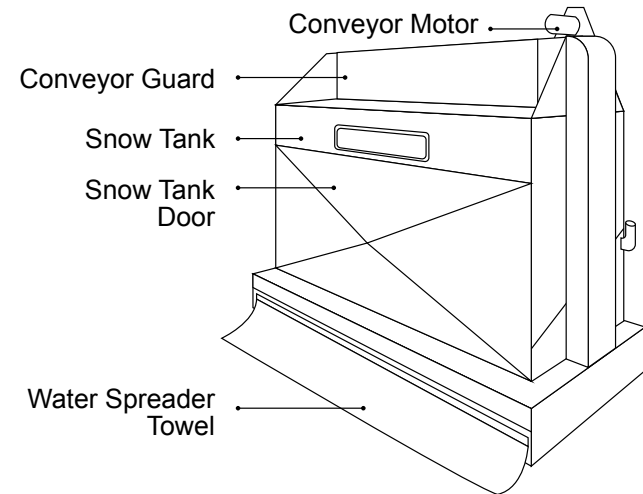
One Year Warranty

Operator Accessible Adjustment Controls

Poly Ice Making Water Tank

Rear Access to Blade Facilitates Quick and Easy Changing

Sealed Bearings



# ZAMBONI®

All capacities and dimensions are approximate, and vary based on chosen tractor specifications. ZAMBONI and the configuration of the Zamboni® ice resurfacing machine are registered trademarks of Frank J. Zamboni & Co., Inc. © Zamboni 2018 Rev 04/2018