



CHIPSPREADER

**Hydrostatic Drive 2WD & 4WD
with Variable Width Spread Hopper
and Standard Spread Hopper**

PARTS SUPPLEMENT

Contents

Hydraulic Power Seat Assembly.....	2
Radiator - Cooler - Motor Mounts and Axle Connections.....	4
Cylinder Manifold Asm - 3181079 - Variable Hopper (K5765 & Below).....	6
Cylinder Manifold Asm - 3181384 - Variable Hopper (K5766 & Above).....	8
Conveyor - Auger - Spreadroll Manifold Asm - 3181077 - Variable & Fixed Hopper.....	10
Hitch - Power Steering - Brake Manifold Asm - 3181076 - Variable & Fixed Hopper.....	12
Gate Cylinder Manifold Asm - 3181173 - Fixed Hopper.....	14
Folding Rear Hopper.....	15

© Copyright 2000 E.D. ETNYRE & CO. All rights reserved. No part of this publication may be reproduced by any means, electronic or mechanical, without the express permission of E.D. ETNYRE & CO. The enclosed drawings remain the property of E.D. ETNYRE & CO. and no part may be copied or used without the express permission of E.D. ETNYRE & CO.

E.D. ETNYRE CO. Oregon, Il. 61061

M-208-5-00R

Supplement to M-208-99 and M-211-99
Supercedes Supplement M-208-5-00

Update - June 2013



CHIPSPREADER

**Hydrostatic Drive 2WD & 4WD
with Variable Width Spread Hopper
and Standard Spread Hopper**

PARTS SUPPLEMENT

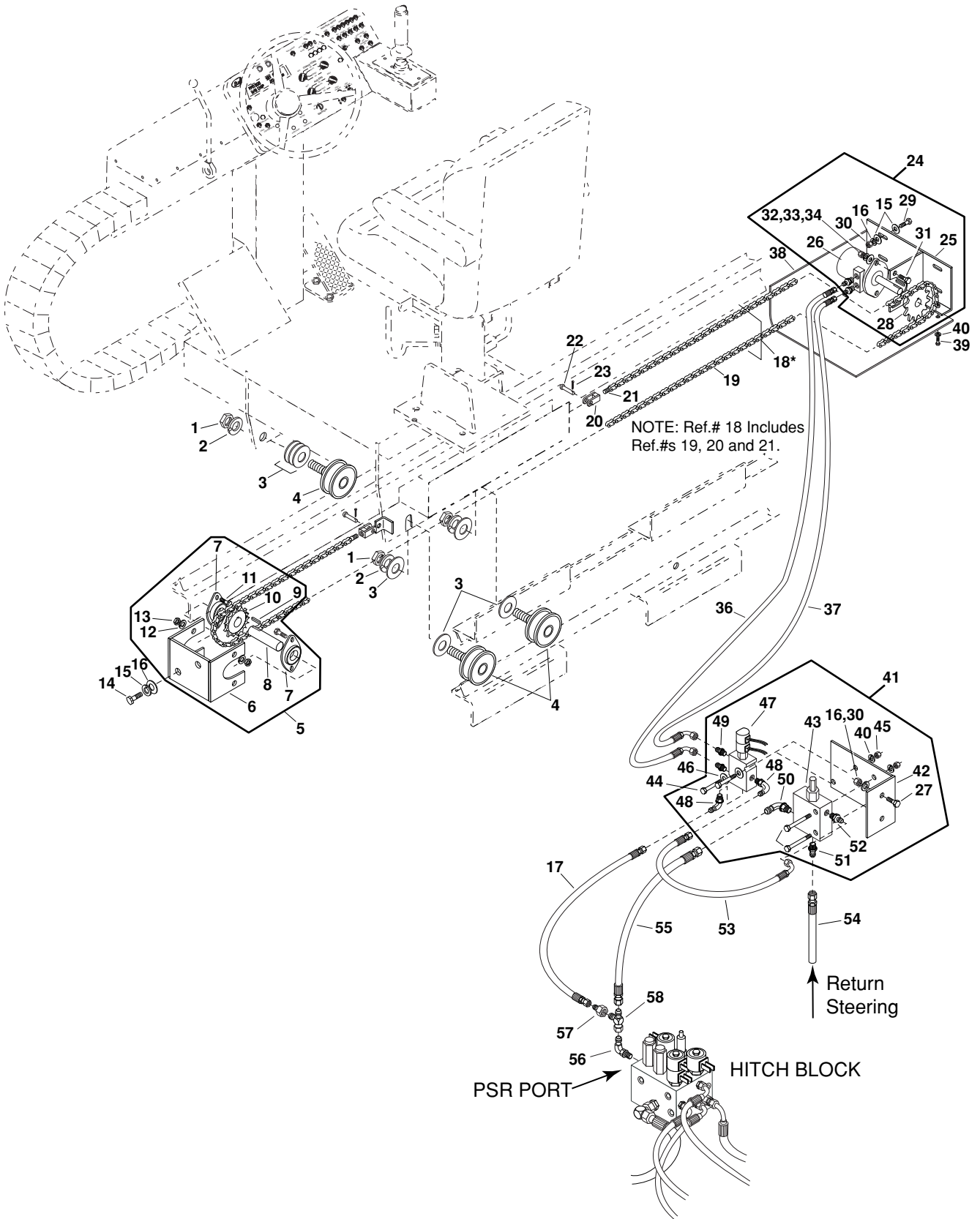
Contents

Hydraulic Power Seat Assembly.....	2
Radiator - Cooler - Motor Mounts and Axle Connections.....	4
Cylinder Manifold Asm - 3181079 - Variable Hopper (K5765 & Below).....	6
Cylinder Manifold Asm - 3181384 - Variable Hopper (K5766 & Above).....	8
Conveyor - Auger - Spreadroll Manifold Asm - 3181077 - Variable & Fixed Hopper.....	10
Hitch - Power Steering - Brake Manifold Asm - 3181076 - Variable & Fixed Hopper.....	12
Gate Cylinder Manifold Asm - 3181173 - Fixed Hopper.....	14
Folding Rear Hopper.....	15

© Copyright 2000 E.D. ETNYRE & CO. All rights reserved. No part of this publication may be reproduced by any means, electronic or mechanical, without the express permission of E.D. ETNYRE & CO. The enclosed drawings remain the property of E.D. ETNYRE & CO. and no part may be copied or used without the express permission of E.D. ETNYRE & CO.

E.D. ETNYRE CO. Oregon, Il. 61061

**POWER SEAT - HYDRAULIC - K5709 AND ABOVE
FOR VARIABLE AND STANDARD HOPPER UNITS - OPTIONAL**



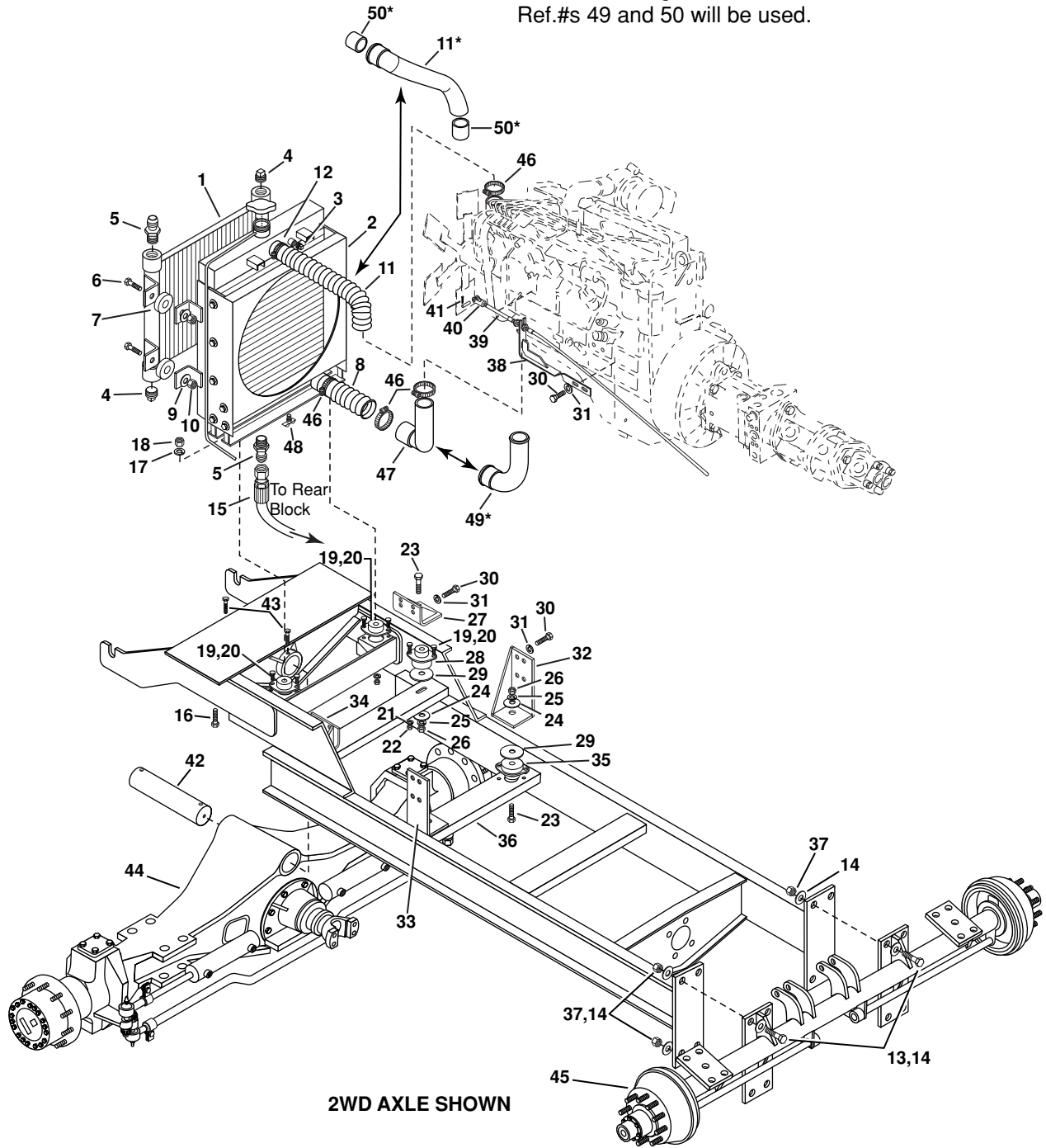
**POWER SEAT - HYDRAULIC - K5709 AND ABOVE
FOR VARIABLE AND STANDARD HOPPER UNITS - OPTIONAL**

REF	PART NO.	QTY	DESCRIPTION	REF	PART NO.	QTY	DESCRIPTION
1	0426099	4	Nut-Hex, 0.75NF, PD	53	3181379	1	Hose Asm-04 x 18, 04FJX-04FJX90
2	0131046	4	Washer-Lock, 0.75, Spring, PD	54	3181239	1	Hose Asm-08 x 145, 08FJX-08FJX90
3	0131000	10	Washer-Flat, 0.75A(0.81 x 2.00), PD	55	3181378	1	Hose Asm-08 x 18, 08FJX-08FJX
4	6435459	4	Roller-V Grooved Load Runner	56	9410977	1	Elbow-Hyd, 90, 08MB-08MJ
5	3102034	1	Bracket Asm-Idler, Power	57	6602154	1	Adapter-Hyd, ST, 08FJX-04MJ
6	3101992	1	Idler Shaft Support Asm	58	9410333	1	Tee-Hyd, 08MJ-08FJX-08MJ
7	6420105	4	Flange Brg-Ball, 2 Blt. 0.75STMP				
8	3101987	1	Idler Shaft-Power Seat				
9	6000207	3	Key-0.19 x 0.19CR x 1.00 Rd End				
10	3102022	2	Sprocket-0.75 Bore				
11	6100277	8	Screw-RdSqNkBlt, 0.31NC x 1.00, GR5				
12	0120214	8	Washer-Lock, 0.31, Spring, PD				
13	0120376	8	Nut-Hex, 0.31NC, PD				
14	0120233	6	Screw-Hex, 0.38 x 1.00, GR2, PD				
15	0120388	10	Washer-Flat, 0.375, Wide				
16	0120382	10	Washer-Lock, 0.38, Spring, PD				
17	3181382	1	Hose Asm-04 x 18, 04FJX-04FJX				
18	3102031	1	Roller Chain Asm-Long				
19	6430077	AR	Chain-Roller, 40 Cullmen Wheel				
	6430164	2	Link-Conn. RC40-2				
20	3350232	2	Female End-Adjustable Chain				
21	3350231	2	Male End-Adjustable Chain				
22	6000397	2	Rivet-RdHd, 0.25 x 0.88, Drilled				
23	0103374	2	Pin-Cotter, 0.09 x 1.00, PD				
24	3102117	1	Motor Mt Asm-Power Seat				
25	3120800	1	Motor Mtg. Bracket Chip Seat				
26	6602796	1	Motor-Hyd, Lsht, 3.6 CuIn.				
27	0120233	2	Screw-Hex, 0.38NC x 1.00, GR2, PD				
28	3102068	1	Sprocket-RC40, 20T, 1" Bore				
29	0122145	4	Screw-Hex, 0.38NC x 1.25, GR2, PD				
30	0120377	4	Nut-Hex, 0.38NC, PD				
31	0120426	2	Screw-Hex, 0.50NC x 1.25, GR2, PD				
32	0120390	2	Washer-Flat, 0.50A, W, PD				
33	0120384	2	Washer-Lock, 0.50, Spring, PD				
34	0120378	2	Nut-Hex, 0.50NC, PD				
35	6602860	2	Adapter-Hyd, ST, 10MB-04MJ				
36	3181381	1	Hose Asm-04 x 65, 04FJX-04FJX90				
37	3181380	1	Hose Asm-04 x 66, 04FJX-04FJX90				
38	3120877	1	Cover-Pwr Seat Motor				
39	0120706	2	Screw-Hex, 0.25NC x 0.50, GR2, PD				
40	0120380	6	Washer-Lock, 0.25, Spring, PD				
41	3181385	1	Valve Asm-Hyd Power Seat				
42	3120875	1	Mount-Pwr Seat Valves				
43	6602847	1	Valve-Hyd, Direct, 3 Pos, 4 Way				
44	0121954	4	Screw-Hex, 0.25NC x 2.00, GR2, PD				
45	0120375	4	Nut-Hex, 0.25NC, PD				
46	0120386	2	Washer-Flat, 0.25A(0.31 x 0.73), PD				
47	6602846	1	Valve-Hyd, Priority, 1.06 GPM				
48	6602164	2	Elbow-Hyd, 90, 06MB-04MJ				
49	6602134	2	Adapter-Hyd, ST, 06MB-04MJ				
50	9410977	1	Elbow-Hyd, 90, 08MB-08MJ				
51	9410203	1	Adapter-Hyd, ST, 08MB-08MJ				
52	6602363	1	Adapter-Hyd, ST, 04MJ-08MB				

AR - AS REQUIRED

RADIATOR/COOLER/MOTOR MOUNTS and AXLE CONNECTIONS

NOTE: Starting with Unit K5724,
Ref.#s 49 and 50 will be used.



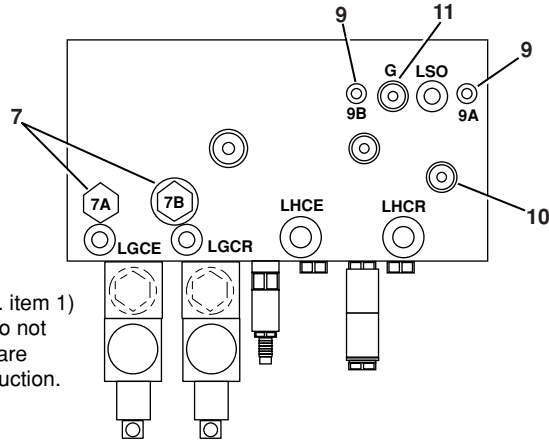
**RADIATOR/COOLER/MOTOR MOUNTS
and AXLE CONNECTIONS**

REF	PART NO.	QTY	DESCRIPTION	REF	PART NO.	QTY	DESCRIPTION
1	6601184	1	Cooler-Hydraulic Oil	46	6000088	3	Clamp-Hose, 2.50-3.00, QS100
2	6400361	1	Radiator-6 Row, 8 Fin/Inch		6001445	2	Clamp-T-Bolt, 2.16" to 2.47" (6B) (6C) at Radiator
	7050990	1	Cap-Radiator	47	3111174	1	Tube Asm-Lower, Rad, Cum 6CT
3	0219189	1	Plug-Pipe, SqHd, 0.25NPT, PN	48	6600162	1	Cock-Drain, 0.25 In Spanco Brs.
4	0219303	2	Plug-Pipe, SqHd, 1.00NPT, PN	49*	3111362	1	Elbow 2"-2 1/4", Radiator (Starting with K5724 and Up)
5	9402713	2	Adapter-Hyd, ST, 16MJ-16MP	50*	6309329	2	Hose Rad. 1.75 x 48
6	0120918	4	Screw-Hex, 0.38 x 1.50, GR2, PD		6309330	2	Hose Rad. 2.00 x 48
7	6000455	4	Bushing-0.31 x 0.50 ALT IND 1530				
8	6400281	1	Hose Radiator, 2.5 x 2.5 x 14" Lg.				
9	0120388	4	Washer-Flat, 0.38A(0.44 x 1.00), PD				
10	0274993	4	Nut-Hex, Lock, 0.38NC, EA, PD				
11	3111332	1	Hose-Radiator, 2.0 x 2.5 x 22" Lg.				
12	6600906	2	Clamp-Hose, Worm Dr., 1.81 x 2.75				
13	6100267	8	Screw-Hex, 0.75NC x 3.00, GR8, PN				
14	0131017	16	Washer-Flat, 0.75A(0.81 x 1.47), PD				
15	3181233	1	Hose Asm-16 x 143, 16FJX-16FJX				
16	0122333	2	Screw-Hex, 0.44 x 3.00NPT, PD				
17	0120383	5	Washer-Lock, 0.44, Spring, PD				
18	0271501	5	Nut-Hex, 0.44NC, PD				
19	6000999	2	Mount-Cushion, Front, PERKINS				
20	0120233	12	Nut-Hex, 0.38NC x 1.00, GR2, PD				
21	0120382	12	Washer-Lock, 0.38, Spring, PD				
22	0120377	12	Nut-Hex, 0.38NC, PD				
23	0428715	4	Screw-Hex, 0.62 x 4.00NPT, PD				
24	9422850	8	Washer-Flat, 0.62A(0.65 x 1.31)HN				
25	0121574	8	Washer-Lock, 0.62, Spring, PD				
26	0124589	8	Nut-Hex, 0.62NC, PD				
27	3111192	1	Mount Asm-RT Front, CUMMINS B				
	3111195	1	Mount Asm-RT Front, CUMMINS C				
28	6000916	2	Mount-Cushion, Front Eng.				
29	3101613	4	Shim-Radiator Mounting Chips				
30	6001081	18	Bolt-Metric, M12-1.75 x 4.00				
31	6001082	18	Washer-Lock, Metric, Chips				
32	3111215	1	Mount Asm-RT Rear, CUMMINS B				
	3111201	1	Mount Asm-RT Rear, CUMMINS C				
33	3111217	1	Mount Asm-LT Rear, CUMMINS B				
	3111200	1	Mount Asm-LT Rear, CUMMINS C				
34	3111190	1	Mount Asm-LT, Front, CUMMINS B				
	3111197	1	Mount Asm-LT, Front, CUMMINS C				
35	6001049	2	Mount-Cushion, Rear Eng.				
36	3110993	1	Channel-Rear Eng. Mt. Chips				
37	9411400	1	Nut-Hex, Lock, 0.75NC, GR, PD				
38	3101666	1	Throttle Brkt. Asm				
39	6601157	1	Cable-Control, Throttle				
40	6000953	1	Clevis-Adj., 0.25 Pin, 10-32UNF				
41	0103374	2	Pin-Cotter, .094 x 1.00, PD				
42	3101886	1	Shaft-Frt Axle/Pyramid, Chipspr				
43	6100086	2	Screw-SqHd, 0.50NC x 1.00, H/DG, LK				
44	3111284	1	Axle-Front, Drive, 81.25" Track				
45	3111285	1	Axle-Rear Drive, 80" Track (4WD)				
	3111310	1	Axle-25K, 97" Track, 22.5" Hubs (2WD)				

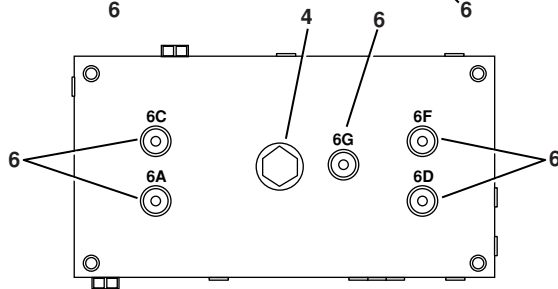
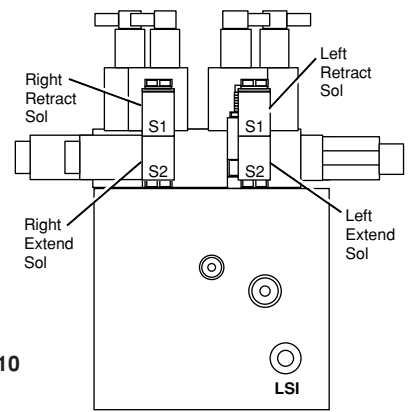
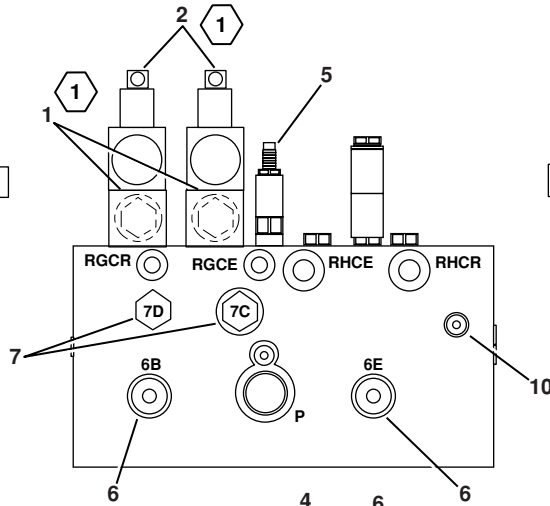
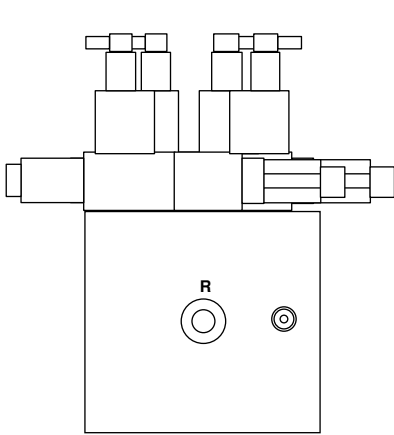
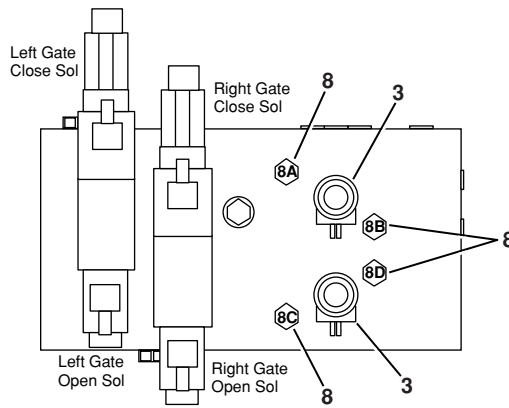
CYLINDER MANIFOLD ASM - 3181079

VARIABLE HOPPER

K5765 and Below

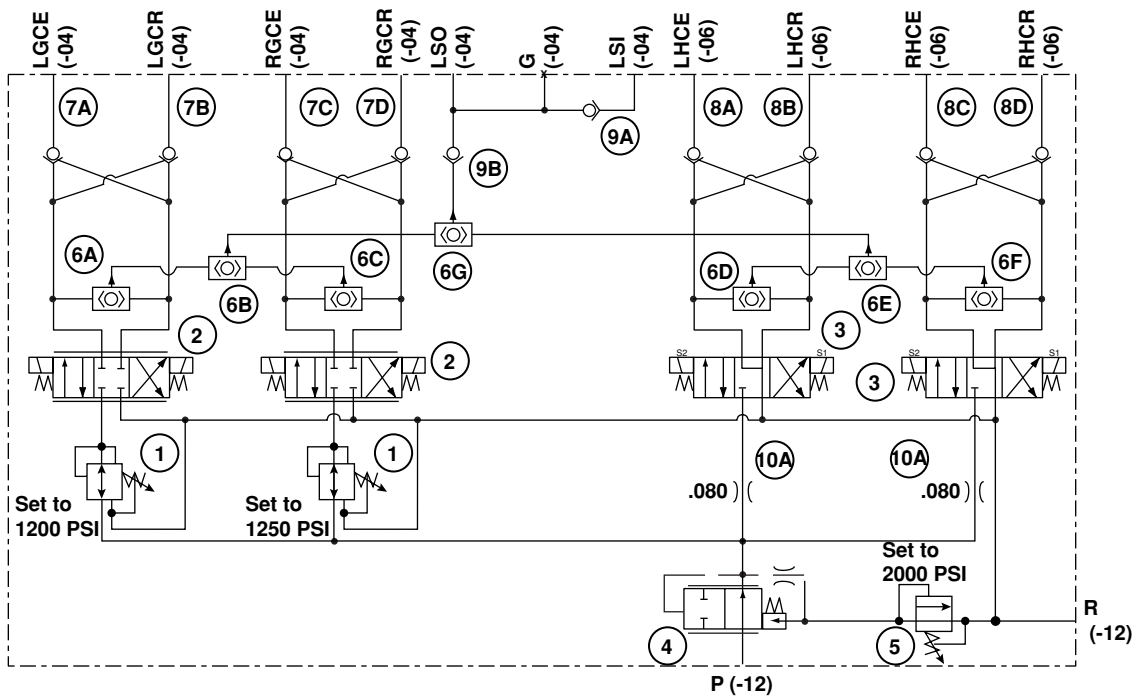


NOTE: **1**
 Pressure Reducing Valves (6602724 Ref. item 1) and Gate Valves (6602723 Ref. item 2) do not come with Manifold Asm 3181079. They are purchased separate and installed in production.



CYLINDER MANIFOLD ASM - 3181079
VARIABLE HOPPER
K5765 AND BELOW

REF	PART NO.	QTY	DESCRIPTION	REF	PART NO.	QTY	DESCRIPTION
1	6602724	2	Valve-P Reducing, Sandwich DO3	9	7430303	1	Seal Kit
2	6602723	2	Valve-Prop, 3 Way/4 Pos, DO3	9	7430304	2	Vlv-Cartridge, Check 5 PSI
3	7430299	2	Vlv-Cartridge, 3 Pos/4 Way, Sol	7430305	1	Seal Kit	
	7430275	1	Coil-12V, Weatherpack Size 8	10	7430306	2	Orifice Plug, SAE 03, .080
	7430278	1	Seal Kit	11	7430268	1	Plug-Port, 04MB
4	7430307	1	Vlv-Pressure Reducing, PO	7430269	1	Seal	
	7430263	1	Seal Kit				
5	7430300	1	Vlv-Cartridge 2000 PSI Rlf Adj				
	7430301	1	Seal Kit				
6	7430266	7	Valve-Cartridge, L.S. Shuttle				
	7430267	1	Seal Kit				
7	7430264	4	Valve-Cartridge, P.O. Check				
	7430265	1	Seal Kit				
8	7430302	4	Vlv-Cartridge, P.O. Check				

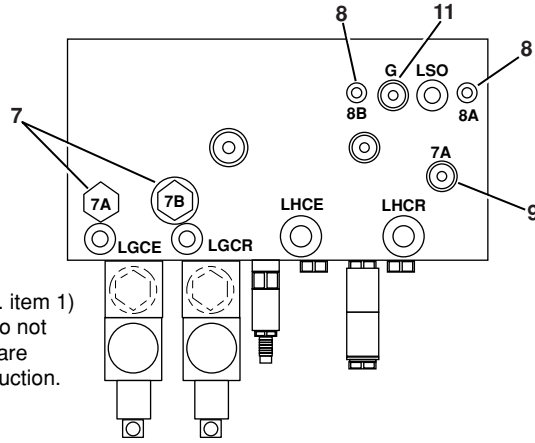


P - Main Pressure in Return
R - Return
LGCE - Left Gate Cyl Ext (CLOSE)
LGCR - Left Gate Cyl Retract (OPEN)
RGCE - Right Gate Cyl Ext (CLOSE)
RGCR - Right Gate Cyl Retract (OPEN)
LSO - Load Sense to Pump
G - Gage Port
LSI - Load Sense In
LHCE - Left Hopper Ext Pressure
LHCR - Left Hopper Ret Pressure
RHCE - Right Hopper Ext Pressure
RHCR - Right Hopper Ext Pressure

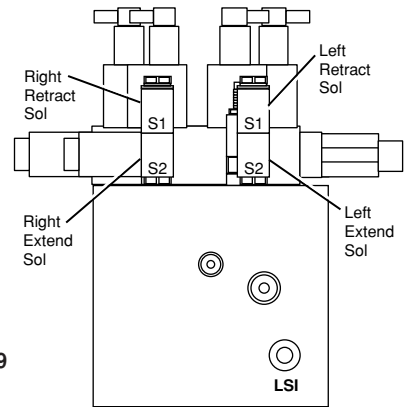
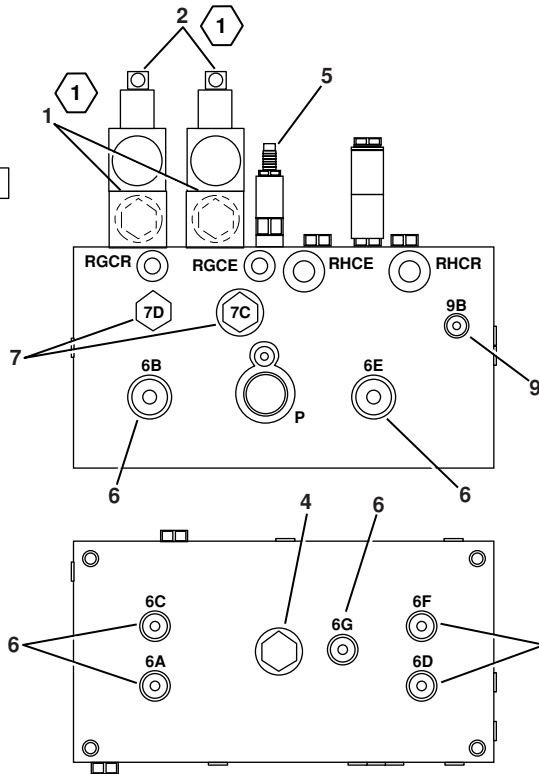
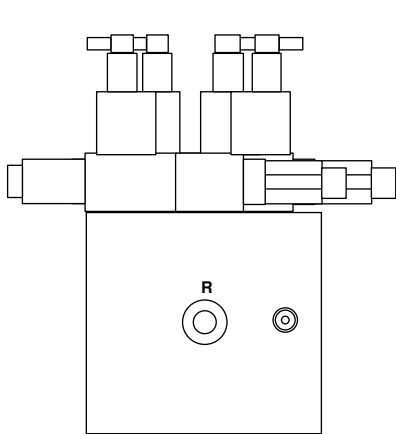
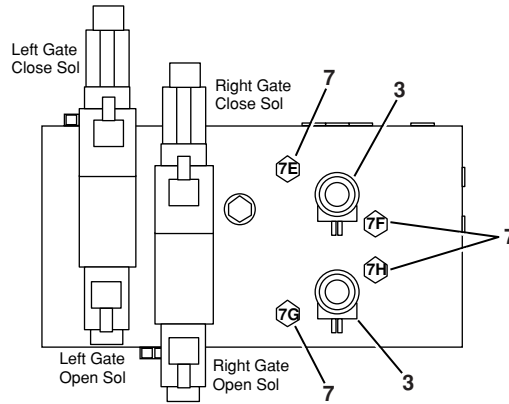
CYLINDER MANIFOLD ASM - 3181384

VARIABLE HOPPER

K5766 and Above



NOTE: 1
 Pressure Reducing Valves (6602724 Ref. item 1)
 and Gate Valves (6602723 Ref. item 2) do not
 come with Manifold Asm 3181384. They are
 purchased separate and installed in production.

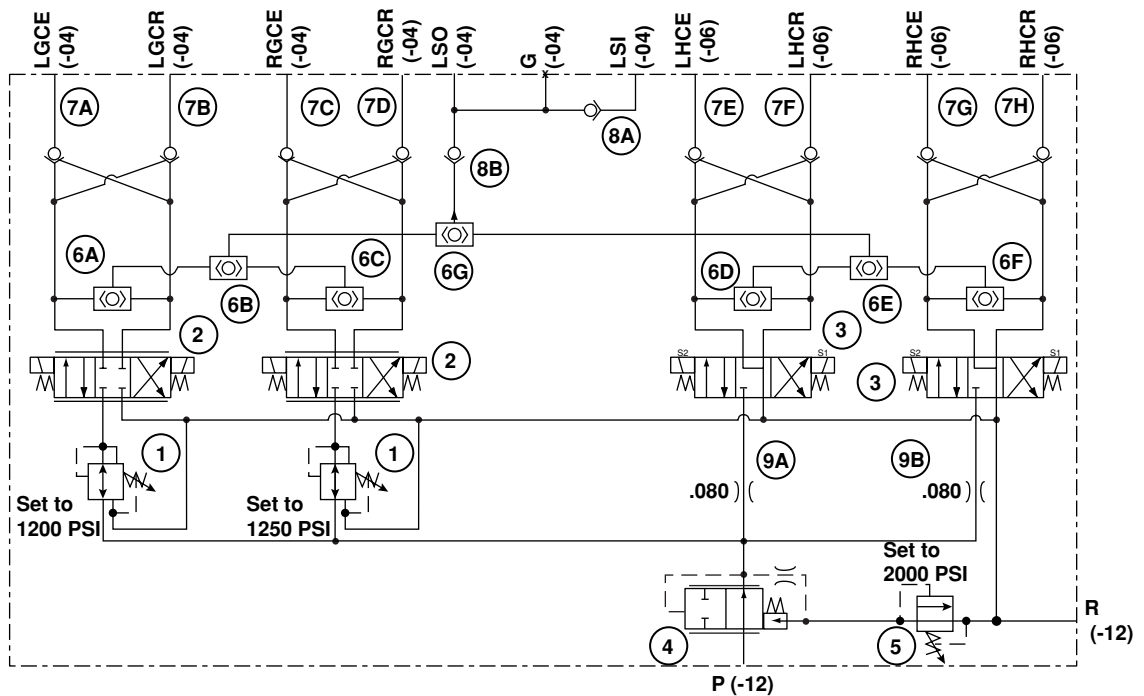


CYLINDER MANIFOLD ASM - 3181384

VARIABLE HOPPER

K5766 AND ABOVE

REF	PART NO.	QTY	DESCRIPTION	REF	PART NO.	QTY	DESCRIPTION
1	6602724	2	Valve-P Reducing, Sandwich DO3	8	7430304	2	Vlv-Cartridge, Check 5 PSI
2	6602723	2	Valve-Prop, 3 Way/4 Pos, DO3		7430305	1	Seal Kit
3	7050121	2	Vlv-Cartridge, 3 Pos/4 Way, Sol	9	7430306	2	Orifice Plug, SAE 03, .080
	7050122	1	Coil-12V, Weatherpack Size 10	10	7430268	1	Plug-Port, 04MB
	7050123	1	Seal Kit		7430269	1	Seal
4	7430307	1	Vlv-Pressure Reducing, PO				
	7430263	1	Seal Kit				
5	7430300	1	Vlv-Cartridge 2000 PSI Rlf Adj				
	7430301	1	Seal Kit				
6	7430266	7	Valve-Cartridge, L.S. Shuttle				
	7430267	1	Seal Kit				
7	7430264	8	Valve-Cartridge, P.O. Check				
	7430265	1	Seal Kit				

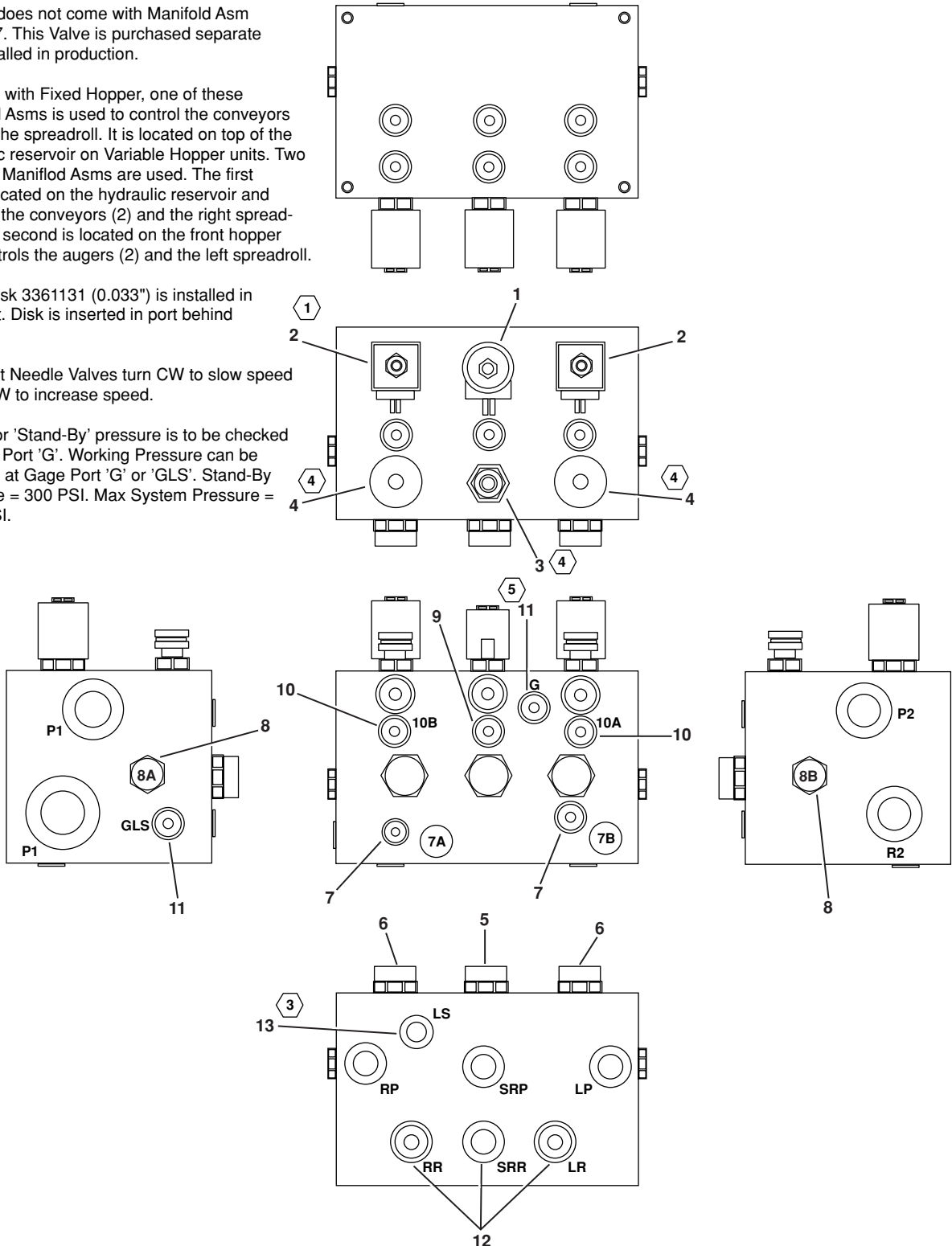


- P - Main Pressure in Return
- R - Return
- LGCE - Left Gate Cyl Ext (CLOSE)
- LGCR - Left Gate Cyl Retract (OPEN)
- RGCE - Right Gate Cyl Ext (CLOSE)
- RGCR - Right Gate Cyl Retract (OPEN)
- LSO - Load Sense to Pump
- G - Gage Port
- LSI - Load Sense In
- LHCE - Left Hopper Ext Pressure
- LHCR - Left Hopper Ret Pressure
- RHCE - Right Hopper Ext Pressure
- RHCR - Right Hopper Ext Pressure

CONVEYOR - AUGER - SPREADROLL MANIFOLD ASM - 3181077 VARIABLE AND FIXED HOPPER

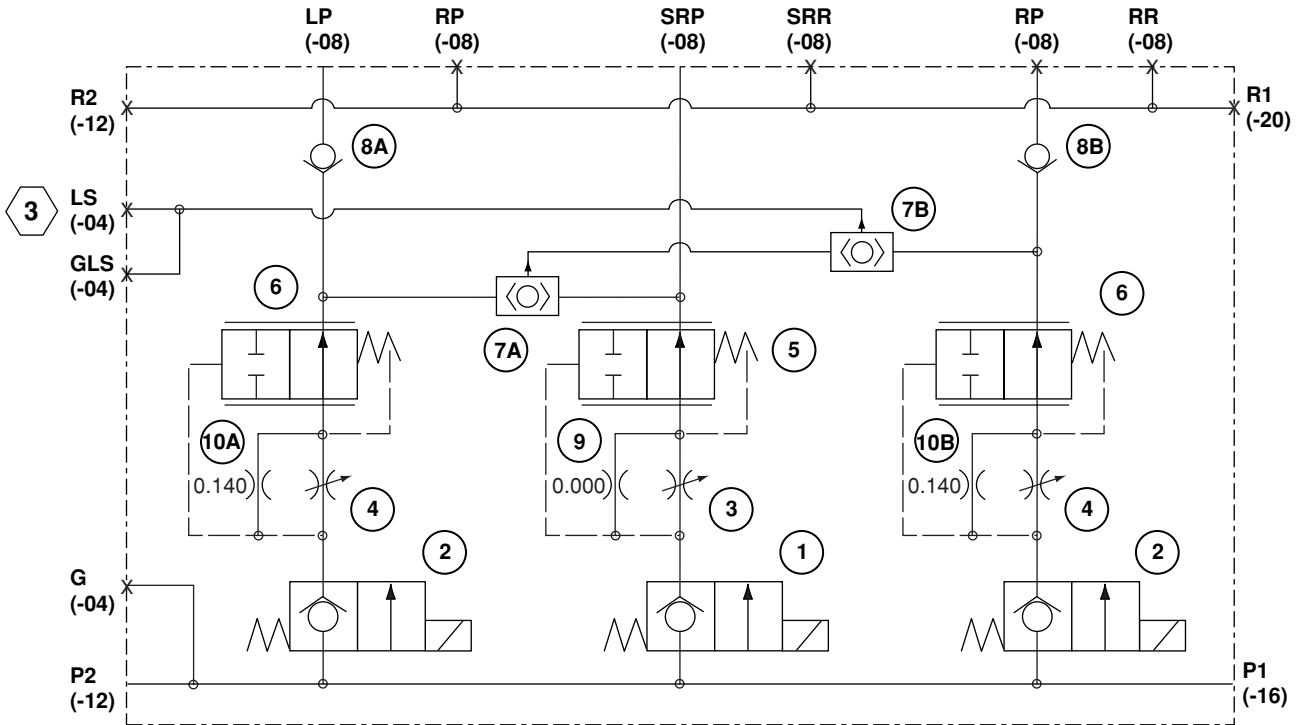
NOTES:

- 1 Ref.# 2 does not come with Manifold Asm 3181077. This Valve is purchased separate and installed in production.
- 2 On units with Fixed Hopper, one of these Manifold Asms is used to control the conveyors (2) and the spreadroll. It is located on top of the hydraulic reservoir on Variable Hopper units. Two of these Manifold Asms are used. The first one is located on the hydraulic reservoir and controls the conveyors (2) and the right spreadroll. The second is located on the front hopper and controls the augers (2) and the left spreadroll.
- 3 Orifice disk 3361131 (0.033") is installed in 'LS' Port. Disk is inserted in port behind adapter.
- 4 To adjust Needle Valves turn CW to slow speed and CCW to increase speed.
- 5 Margin or 'Stand-By' pressure is to be checked at Gage Port 'G'. Working Pressure can be checked at Gage Port 'G' or 'GLS'. Stand-By Pressure = 300 PSI. Max System Pressure = 3000 PSI.



**CONVEYOR - AUGER - SPREADROLL
MANIFOLD ASM - 3181077
VARIABLE AND FIXED HOPPER**

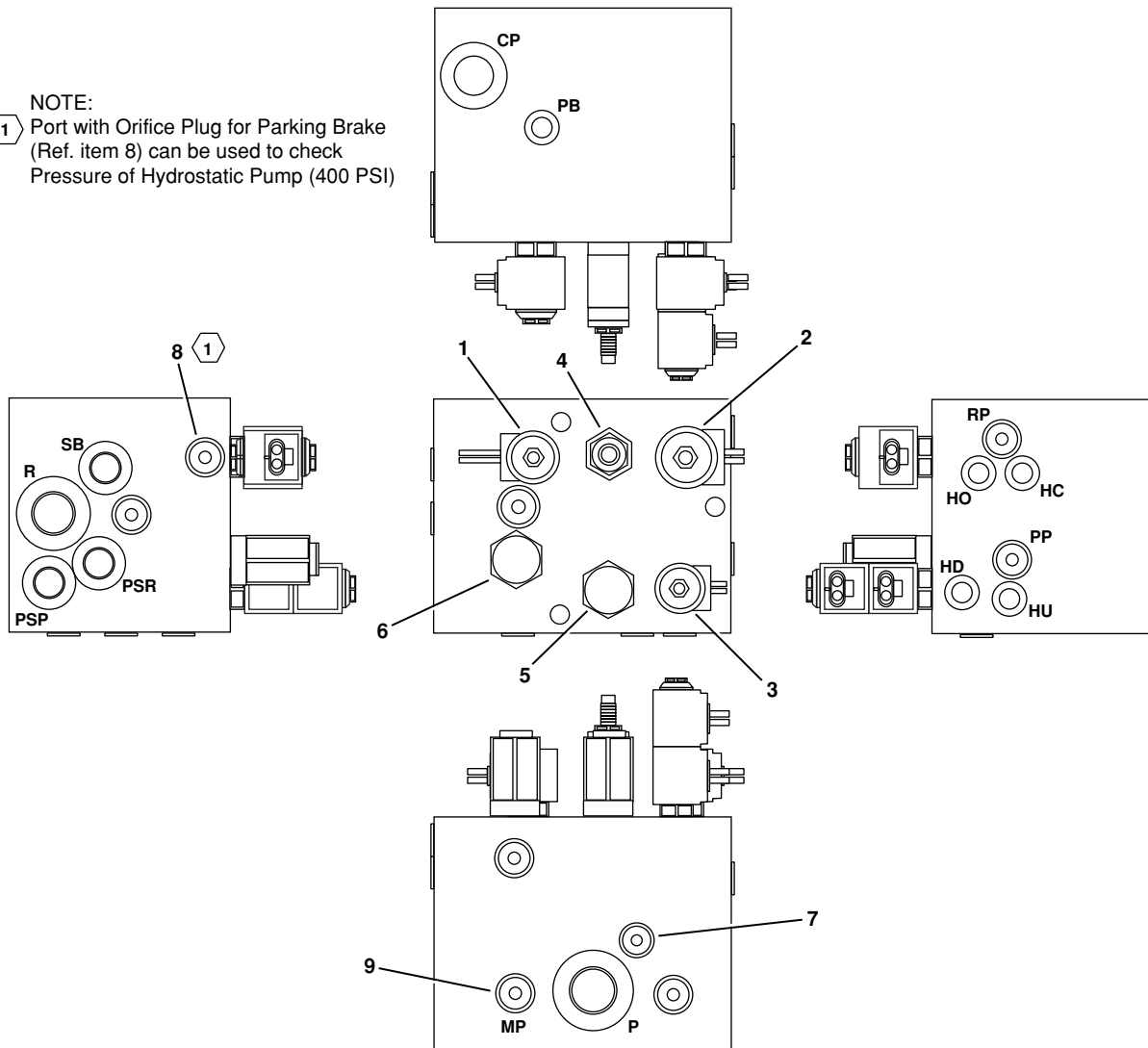
REF	PART NO.	QTY	DESCRIPTION	REF	PART NO.	QTY	DESCRIPTION
1	7430286	1	Vlv-Cartridge, Sol, 2 Way/2 Pos	8	7430296	2	Vlv-Check, Cartridge
	7430280	1	Coil-12V, Weatherpack Size 12		7430297	1	Seal Kit
	7430287	1	Seal Kit	9	7430291	1	Orifice Plug, SAE 03, Blank
2	6602728	2	Valve-Hyd, 2 Pos, 2 Way, Soft, 12V	10	7430292	2	Orifice Plug, SAE 03, .140
3	7430288	1	Vlv-Cartridge, Needle 0-15 GPM	11	7430268	2	Plug-Port, 04MB
	7430289	1	Seal Kit		7430269	1	Seal
4	7430290	2	Vlv-Cartridge, Needle W/Knob	12	7430298	1	Plug-Port, 08MB
	7430289	1	Seal Kit	13	3361131	3	Orifice Plug-.38 OD, .200T, 0.033
5	7430294	1	Vlv-Press. Comp. Spreadroll				
	7430295	1	Seal Kit				
6	7430293	2	Vlv-Press. Comp. Conv/Aug				
	7430295	1	Seal Kit				
7	7430266	2	Valve-Cartridge, L.S. Shuttle				
	7430267	1	Seal Kit				



- P1 - Main Pressure PORT (P IN)
- P2 - Aux Pressure Port (P OUT)
- R1 - Main Return Port
- R2 - Aux Return Port
- LP - Left Conv Pressure
- LR - Left Conv Return
- RP - Right Conveyor Pressure
- RR - Right Conveyor Return
- SRP - Right Spreadroll Pressure
- SRR - Right Spreadroll Return
- LS - Load Sense Signal to Pump
- LSO - Gage Port Downstream of Valves
- G - System Pressure Gage Port

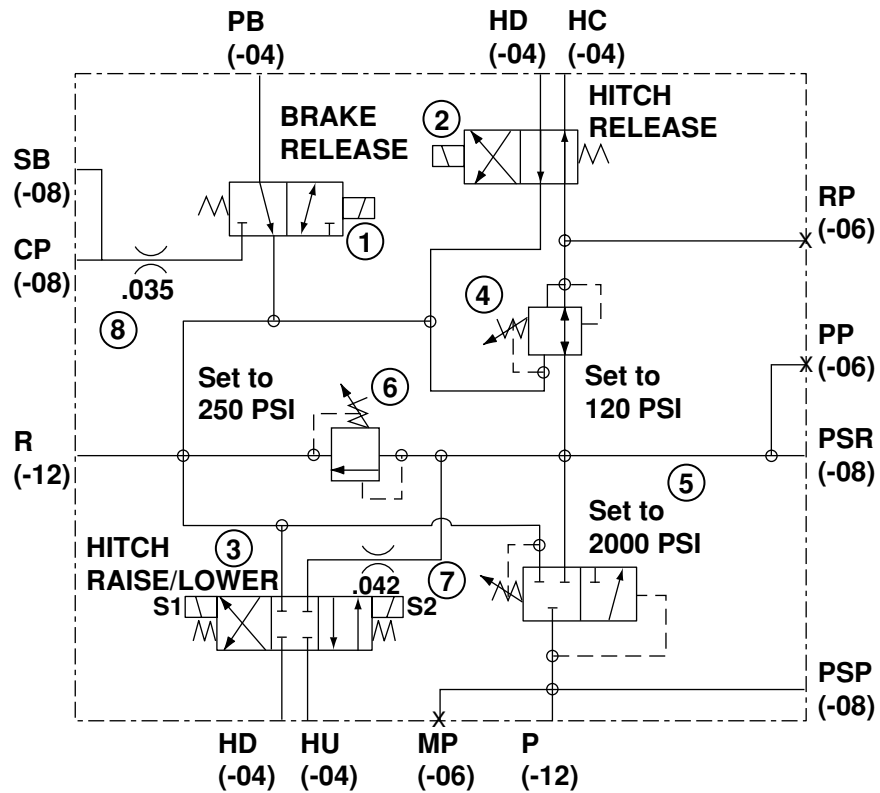
HITCH - POWER STEERING - BRAKE MANIFOLD ASM - 3181076 VARIABLE AND FIXED HOPPER

NOTE:
 ① Port with Orifice Plug for Parking Brake
 (Ref. item 8) can be used to check
 Pressure of Hydrostatic Pump (400 PSI)



**HITCH - POWER STEERING - BRAKE
MANIFOLD ASM - 3181076
VARIABLE AND FIXED HOPPER**

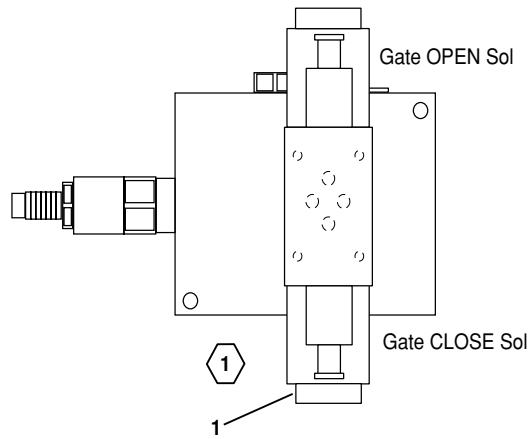
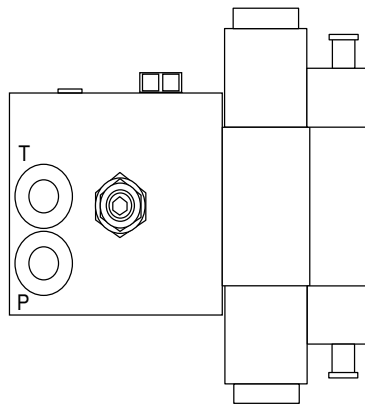
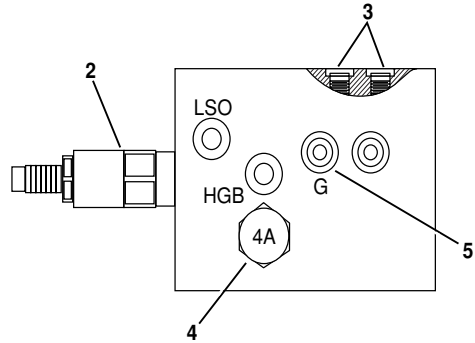
REF	PART NO.	QTY	DESCRIPTION	REF	PART NO.	QTY	DESCRIPTION
1	7430274	1	Vlv-Cartridge Sol 2 Way/3 Pos	5	7430271	1	Vlv-Cartridge Seq 2000 PSI
	7430275	1	Coil-12V, Weatherpack Size 8		7430263	1	Seal Kit
	7430276	1	Seal Kit	6	7430272	1	Vlv-Cartridge Relief 250 PSI
2	7430279	1	Vlv-Cartridge Sol 2 Way/4 Pos		7430273	1	Seal Kit
	7430280	1	Coil-12V, Weatherpack Size 12	7	7430283	1	Orifice Plug, SAE 03, .042
	7430281	1	Seal Kit	8	7430282	1	Orifice Plug, SAE 03, .035
3	7430277	1	Vlv-Cartridge Sol 3 Way/4 Pos	9	7430284	1	Plug-Port, 06MB
	7430275	1	Coil-12V, Weatherpack Size 8		7430285	1	Seal-Port Plug
	7430278	1	Seal Kit				
4	7430270	1	Vlv-Cartridge P Red 115 PSI				
	7430263	1	Seal Kit				



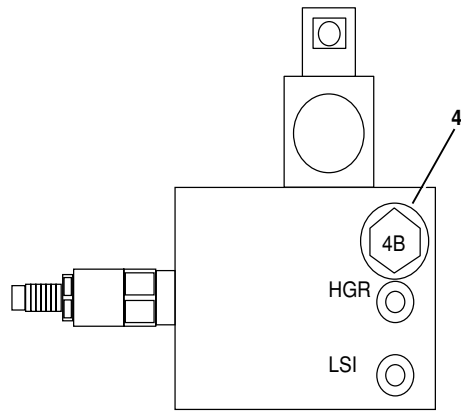
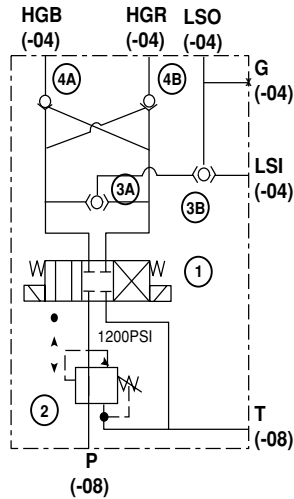
- P - Main Pressure Port
- MP - Main Pressure Gage Port (2000 PSI)
- PSP - Steering Pressure
- PSR - Steering Return
- PP - Pilot Pressure Gage Port (250 PSI)
- HU - Hitch Up Pressure
- HD - Hitch Down Pressure
- R - Main Return Port
- RP - Reduced Pressure Gage Port (115 PSI)
- HC - Hitch Close Pressure
- HD - Hitch Open Pressure
- PB - Parking Brake Pressure
- SB - Service Brake Pressure
- CP - Charge Pressure IN

GATE CYLINDER MANIFOLD ASM - 3181173 FIXED HOPPER

NOTE:
1 Valve 6602723 does not come with Hydraforce Manifold Asm. It is purchased separate and installed in production.

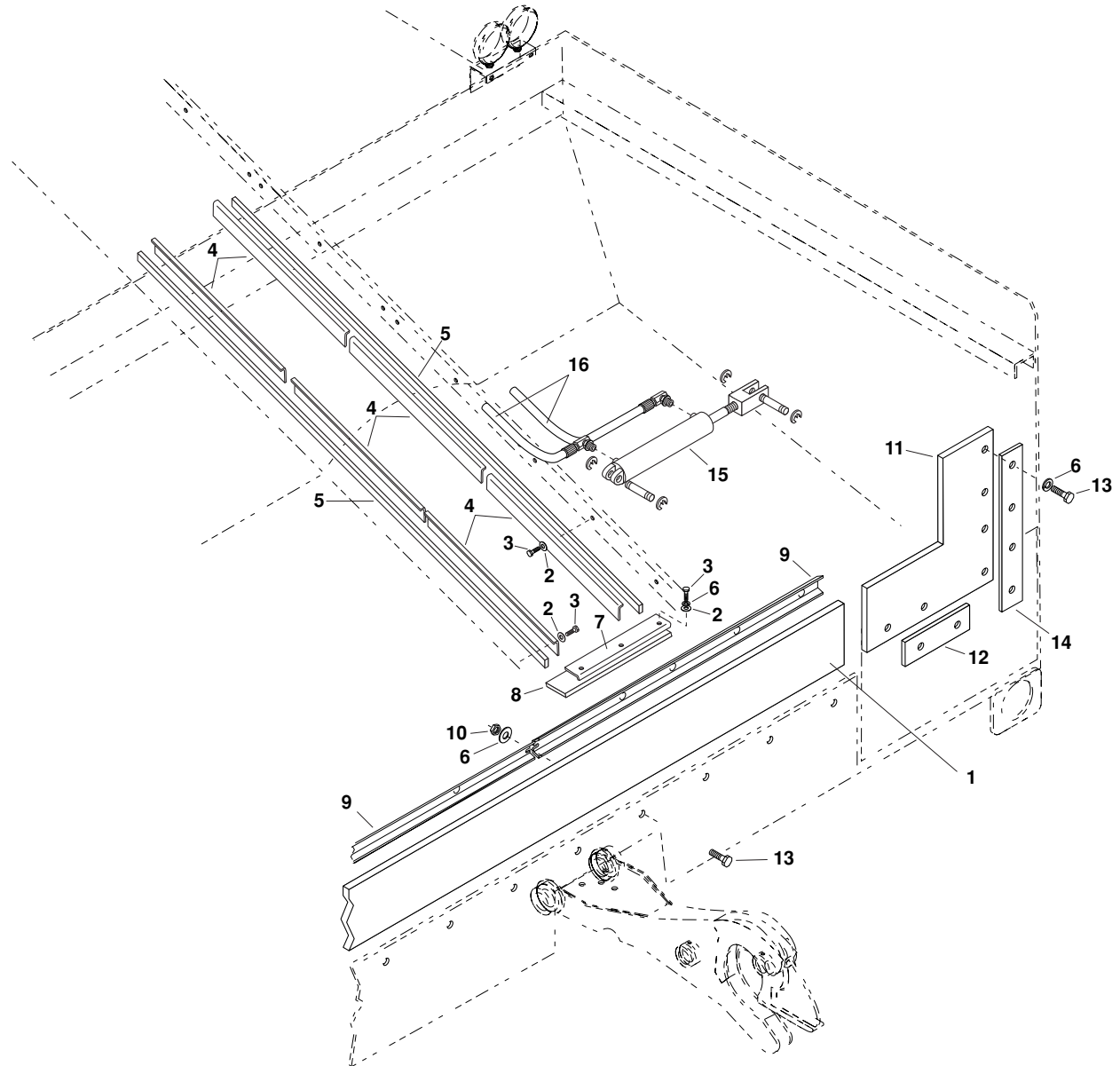


P - Main Pressure Port
 T - Return to Tank
 LSI - Load Sense Signal IN
 G - Gage Port
 LSO - Load Sense Signal to Pump
 HGR - Gate Cylinder Retract
 HGB - Gate Cylinder Extend



REF	PART NO.	QTY	DESCRIPTION	REF	PART NO.	QTY	DESCRIPTION
1	6602723	1	Valve-Prop, 3 Way/4 Pos, DO3	5	7430268	1	Plug-Port, 04MB
2	7430262	1	Vlv-Cartridge Press Red 1200 PSI		7430269	1	Seal
	7430263	1	Seal Kit				
3	7430266	2	Valve-Cartridge, L.S. Shuttle				
	7430267	1	Seal Kit				
4	7430264	2	Valve-Cartridge, P.O. Check				
	7430265	1	Seal Kit				

REAR HOPPER



REF	PART NO.	QTY	DESCRIPTION	REF	PART NO.	QTY	DESCRIPTION
1	3130507	1	Rubber-Rear,3/4 x 9 x 89	10	0120377	9	Nut-Hex,0.38NC,PD
2	0120388	42	Washer-Flat,0.38,Wide	11	3130508	1	Rubber-Side,Left
3	0122145	42	Screw-Hex,0.38NC x 1.25,GR2,PD		3130510	1	Rubber-Side,Right
4	3130428	12	Retainer-Flashing,Side	12	3130505	2	Support-Chute Lining
5	3130426	4	Flashing-Conveyor,Rear Hopper	13	0122188	17	Screw-Hex,0.38NC x 2.25,GR2,PD
6	0120382	63	Washer-Lock,0.38,Spring,PD	14	3130504	2	Support-Chute Lining
7	3130427	2	Retainer-Flashing,Rear,Conveyor	15	6602876	2	Cylinder-Hyd,2 x 14
8	3130429	2	Flashing-Conveyor,End	16	3181446	4	Hose Asm-4x123,04MPX90-04FJX
9	3130506	1	Retainer-Flashing,Rear,Hopper				

Specify Unit Serial No., Part No., & Part Description