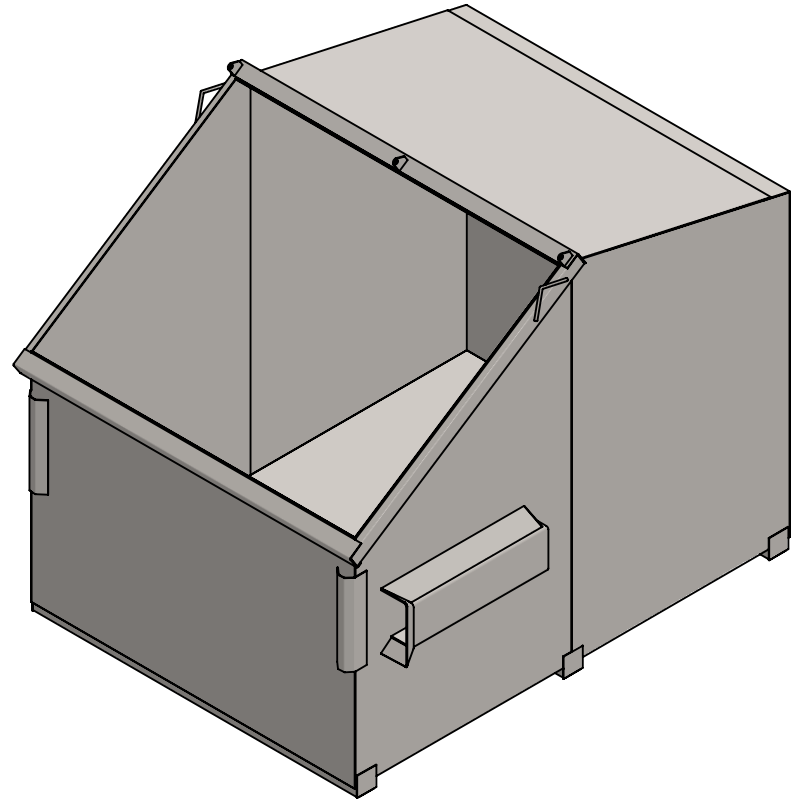
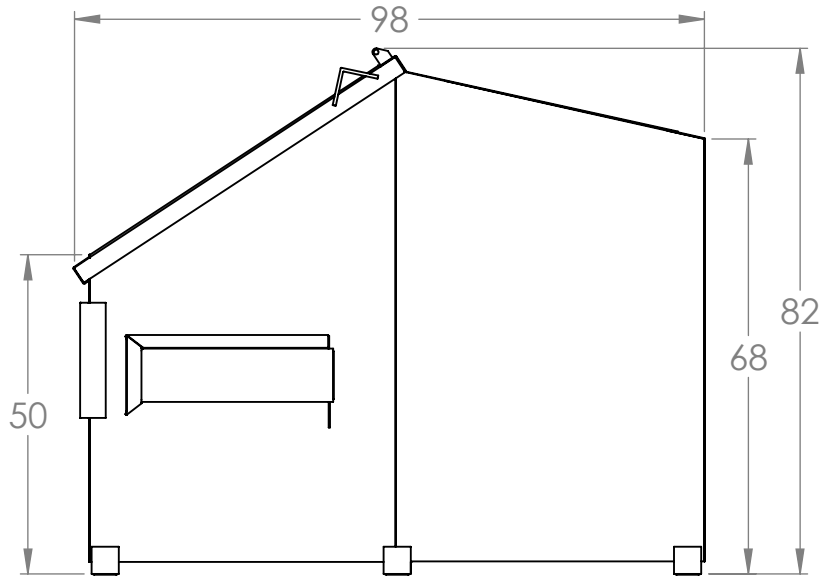


2

1

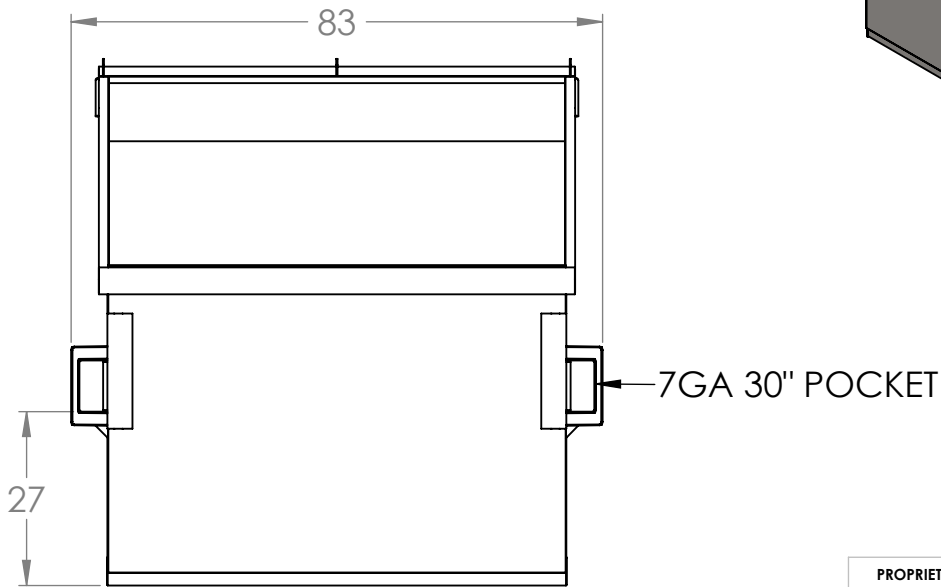
B

B



A

A



2

1

POYNETTE IRONWORKS

PROPRIETARY AND CONFIDENTIAL		TITLE:	
THE INFORMATION CONTAINED IN THIS DRAWING IS THE SOLE PROPERTY OF POYNETTE IRONWORKS. ANY REPRODUCTION IN PART OR AS A WHOLE WITHOUT THE WRITTEN PERMISSION OF POYNETTE IRONWORKS IS PROHIBITED.		UNLESS OTHERWISE SPECIFIED:	
DIMENSIONS ARE IN INCHES		PART NO:	
TOLERANCES:		10 FLSS	
FRACTIONAL ±1/2		SIZE	DESIGNED BY:
WEIGHT ±5%		A	3/24/2020
MATERIAL		SCALE: 1:30	WEIGHT: 1425
		REV -	
		SHEET 1 OF 1	