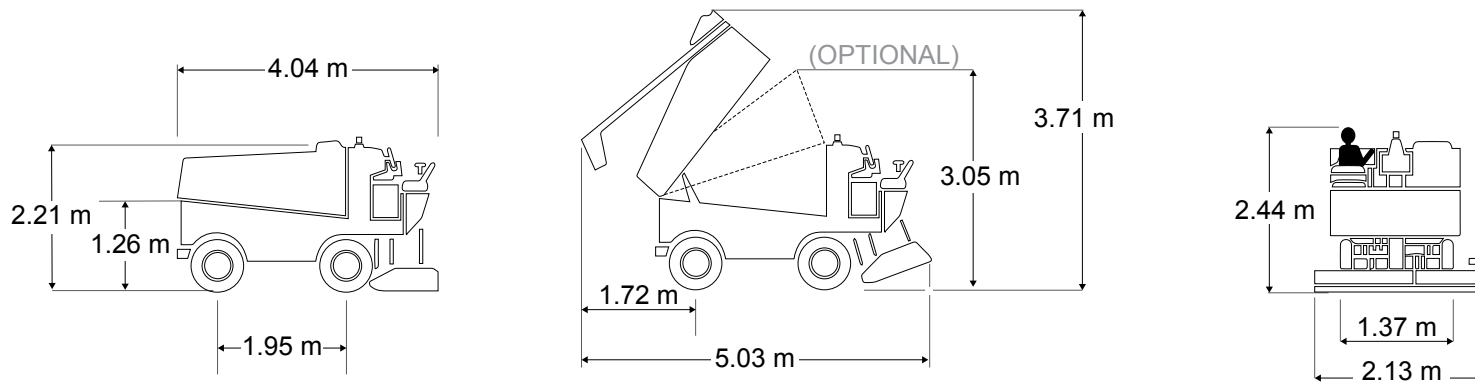


MODEL 526



CAPACITIES

Snow Tank

Actual Volume	2.83 m ³	100 cu. ft.
Compacted	3.54 m ³	125 cu. ft.
Excess Water	416 L	110 gal.

Water

Ice Making	727 L	192 gal.
Wash Water	273 L	72 gal.
Total	1000 L	264 gal.

Hydraulic Oil

	95 L	25 gal.
--	------	---------

POWERTRAIN

Four-Wheel Drive

Engine	Mitsubishi® 2.4 L / 59 HP at 2500 RPM Four Cylinder Liquid Cooled
Transmission	Continuously variable hydrostatic pump and motor are axial-piston type.
Hydraulics	Double pump powers the vertical and horizontal augers. Hydraulic down pressure for optimal resurfacing results.

Axles

Front	1950 kg	4300 lb
Rear	2903 kg	6400 lb

Brakes

Full Hydrodynamic Braking

DIMENSIONS

Overall

	L	W	H	L	W	H
Snow Tank Down	4.04 m	2.13 m	2.21 m	159 in.	84 in.	87 in.
Snow Tank Up	5.03 m	2.13 m	3.71 m	198 in.	84 in.	146 in.

Shaving Blade

	L	W	H	L	W	H
	195.6 cm	12.7 cm	1.27 cm	77 in.	5 in.	0.5 in.

Clearance

Minimum Operator Height Clearance	243.8 cm	96 in.
Snow Pit Clearance	125.7 cm	49.5 in.

Conveyor System

Horizontal Auger Diameter	25.4 cm	10 in.
Vertical Auger Diameter	25.4 cm	10 in.

Manueverability

Wheelbase	1.96 m	77 in.
Wheel Track	1.37 m	54 in.
Turning Radius at Conditioner	4.86 m	16 ft.

Weight

Empty	3143 kg	6930 lb
with Water	4240 kg	9350 lb



Advanced Water System — AWS™
Regulates amount of water dispensed onto the ice relative to machine speed for efficient and even application. *optional equipment



Zamboni Power Brush™
Wider brush path reaches higher on the dasher board kick plate for superior cleaning power. *optional equipment



Integrated Auger Washout System
Simplifies the vertical and horizontal auger washout task, from a single point on the conditioner. *optional equipment

MODEL 526

STANDARD FEATURES

2 Year Warranty
400 Micron Wash Water Deep Filter Bag
Catalytic Converter
Chassis: Strong All Welded Steel Tubing
Conditioner Safety Guards
Digital Training and Reference Materials
Engine: CAN Bus System
Engine: EPA and CARB Certified
Familiar Automobile-Style Foot Controls
Four-Wheel Drive
Fuel: Gasoline, Propane (CNG optional)
Full Hydrodynamic Braking
Guide Wheel
Headlights and Tail Light (for Off Ice Travel)
High Quality 16 and 22 Micron Filters
High Speed Vertical Auger
Hydraulic Oil Level Sight Gauge
Load Sensing Engine Governor
Multi-Function Display

On-Dash Diagnostics
Parking Brake
Power Steering
Premium Polyester Felt Spreader Towel
Replaceable Poly Conditioner Side Plates
Rugged Dana Spicer® Axles
Snow Tank Safety Stand
Spare Tire and Wheel
Stainless Steel Hardware
Steering Wheel Spinner Knob
Touch-Up Paint Kit
Tungsten Carbide Studded Tires
Under Seat Storage
Wash Water
Wide Spectrum of Premium Automotive Paint Colors

OPTIONS

Advanced Water System (AWS™)
Aluminum Alloy Wheels
Automatic Snow Breaker
Back Up Alarm
[Blade Change System](#)
Cab Enclosure
Chrome Wheels
Conditioner: 96" Blade
Conditioner: Galvanized
Engine Diagnostic Computer Interface Tool
[FastICE® Ice Making System](#)
Fire Extinguisher
Front Squeegee
Heated Ergonomic Comfort Design Seat

- Armrest
- Seatbelt

Hydraulic Oil Cooler Kit
IceCaps® Wheel Advertising System
Integrated Auger Washout System

LED Headlights
[Level-Ice™](#)
Rotating Beacon Light
Rust-Free Poly Ice Making Water Tank
Snow Melting Kit
Snow Tank Dump Height Restriction
Snow Tank Light
Snow Tank Non-Stick Liner
Stainless Steel Water Distribution Pipe
Tire Wash System
V-Plow
Water Level Sight Gauge
Wash Water to Ice Making Water Transfer
[Zamboni Connect™ System](#)
Zamboni Power Board Brush™ System