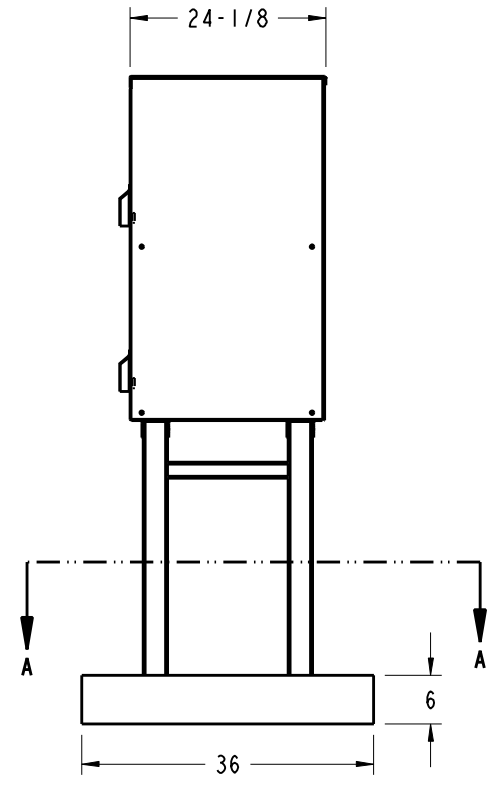
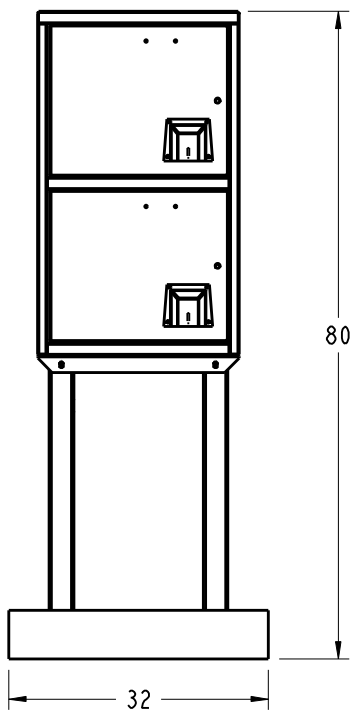
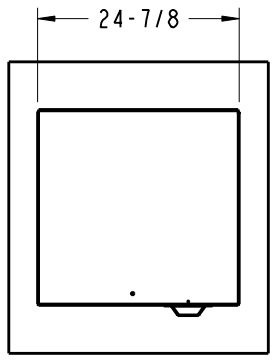
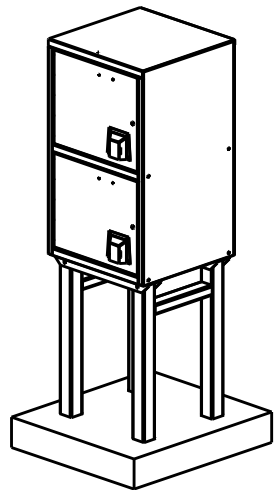
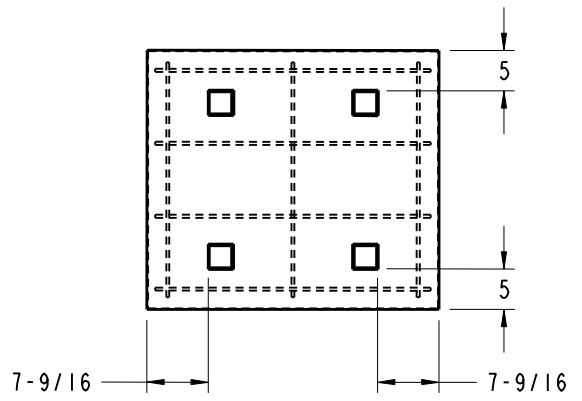


HAUL-ALL EQUIPMENT LTD.		NO.	REVISION	DCO NO DATE
PART NUMBER	FS2X1	DRAWN BY PS-PS	1	RELEASED TO PRODUCTION.
				D2572 PS 05 DEC 2014
NAME	FS2x1 ASSEMBLY	2	X X X	X X
MATERIAL	AS SHOWN	SCALE FINISH	3/64 NONE	3 X X X

- ALL DIMENSIONS TO BE IN INCHES UNLESS OTHERWISE NOTED.  
- ALL DIMENSIONS TO BE ±1/32" UNLESS OTHERWISE NOTED.  
- ANGULAR TOLERANCES: FORMED: ±1° ; MACHINED ±0.5°



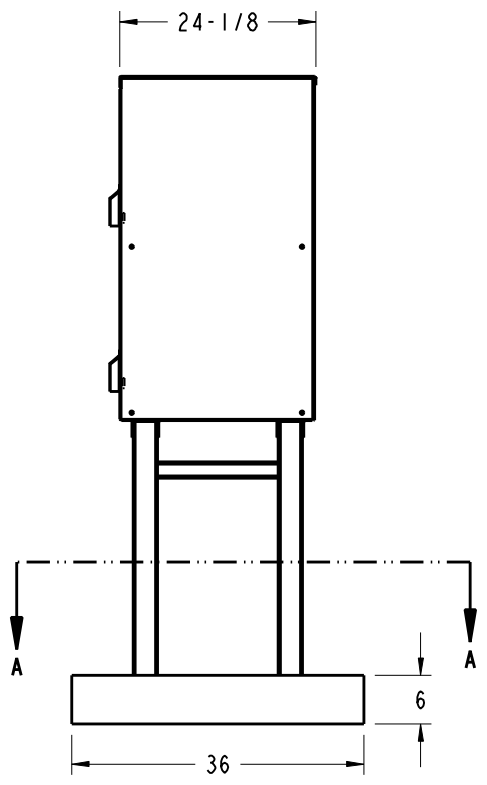
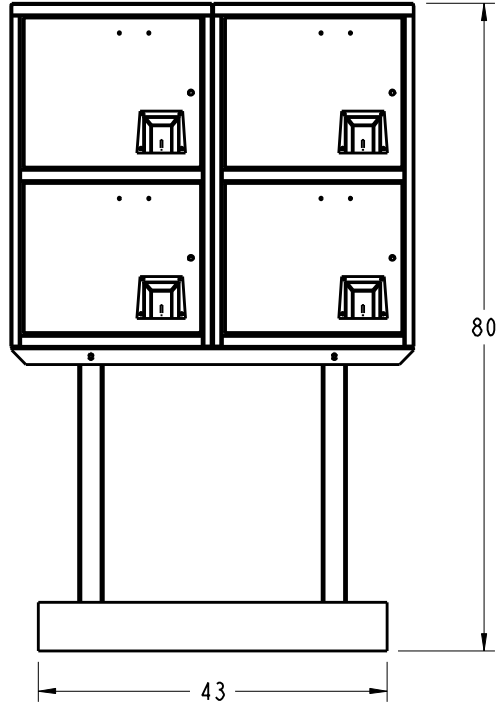
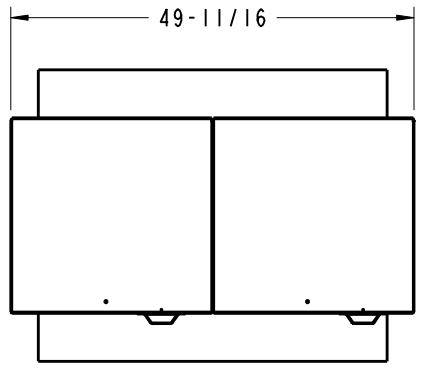
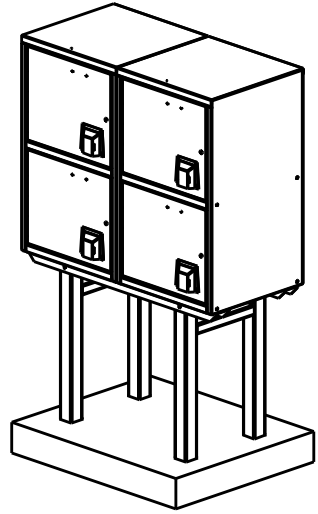
NOTE: PLACE REBARS M10  
29" (3) AND 34" (4) AS SHOWN.



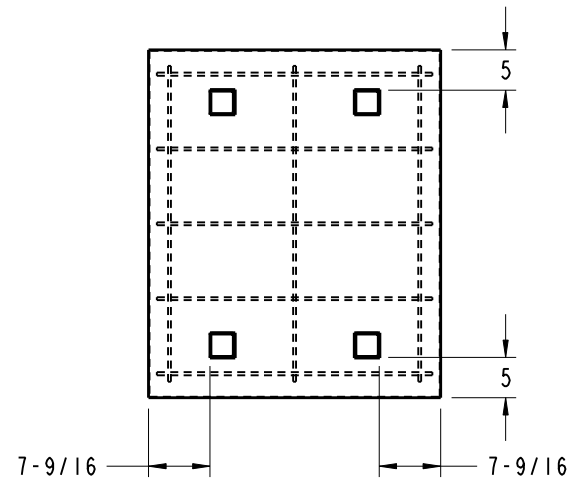
SECTION A-A

HAUL-ALL EQUIPMENT LTD.		NO.	REVISION	DCO NO DATE
PART NUMBER	FS2X2	DRAWN BY PS-PS	1	RELEASED TO PRODUCTION.
				D2572 PS 05 DEC 2014
NAME	FS2x2 ASSEMBLY		2	X X X
MATERIAL	AS SHOWN	SCALE FINISH	3	X X X
		3/64 NONE		X X

- ALL DIMENSIONS TO BE IN INCHES UNLESS OTHERWISE NOTED.  
- ALL DIMENSIONS TO BE ±1/32" UNLESS OTHERWISE NOTED.  
- ANGULAR TOLERANCES: FORMED: ±1° ; MACHINED ±0.5°



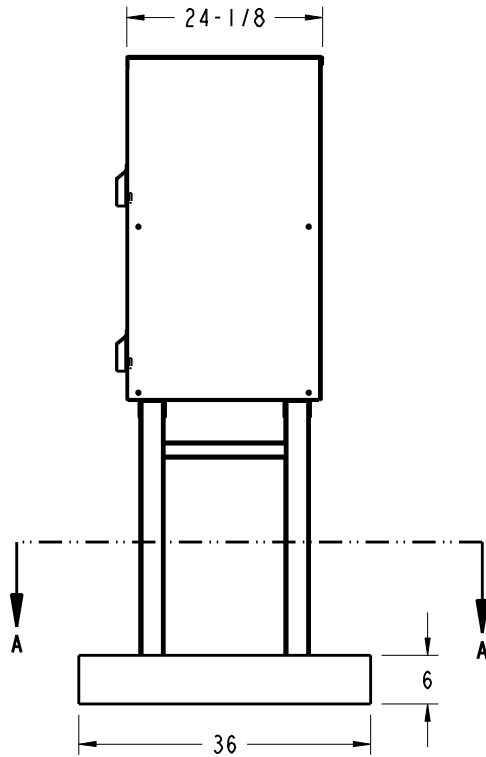
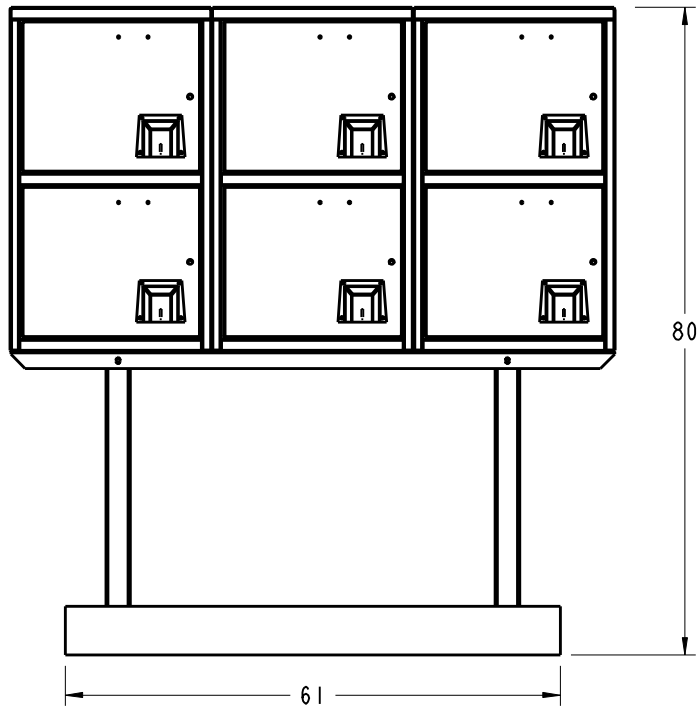
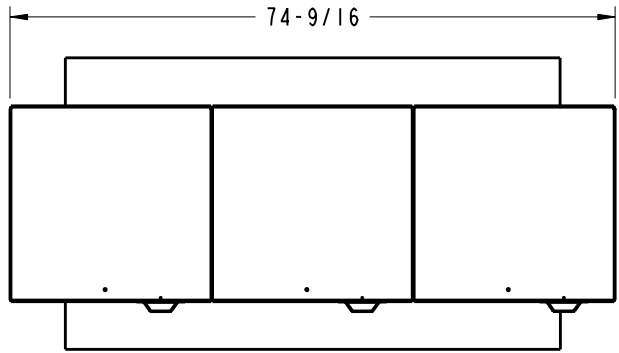
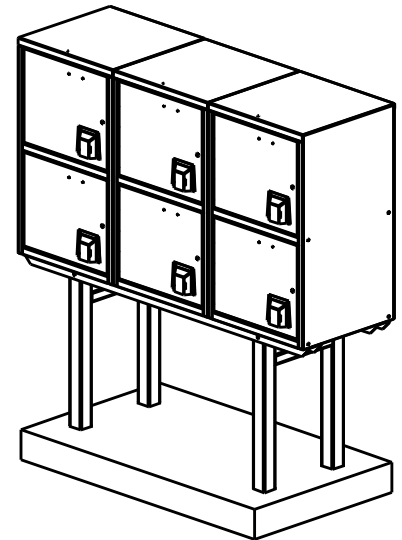
NOTE: PLACE REBARS M10  
40" (3) AND 34" (5) AS SHOWN.



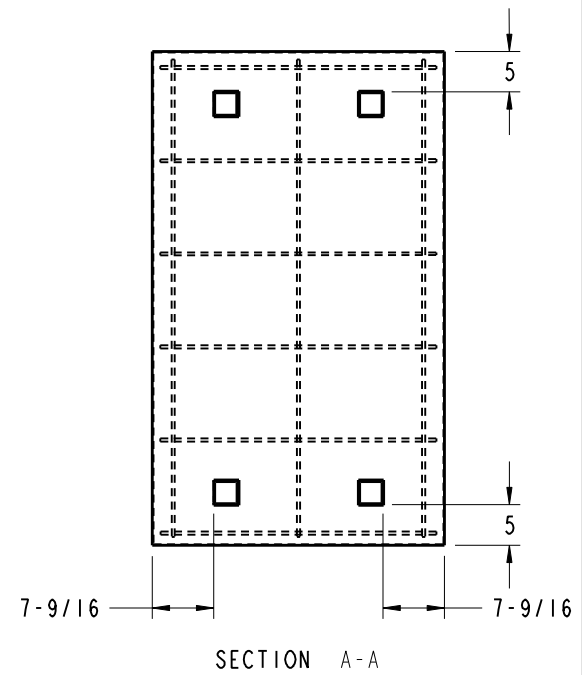
SECTION A-A

HAUL-ALL EQUIPMENT LTD.		NO.	REVISION	DCO NO DATE
PART NUMBER	FS2X3	DRAWN BY PS-PS	1	RELEASED TO PRODUCTION.
				D2572 PS 05 DEC 2014
NAME		FS2x3 ASSEMBLY	2	X X X
MATERIAL		AS SHOWN	3	X X X
		SCALE	3/64	
		FINISH	NONE	

- ALL DIMENSIONS TO BE IN INCHES UNLESS OTHERWISE NOTED.  
 - ALL DIMENSIONS TO BE  $\pm 1/32$ " UNLESS OTHERWISE NOTED.  
 - ANGULAR TOLERANCES: FORMED:  $\pm 1^\circ$ ; MACHINED  $\pm 0.5^\circ$

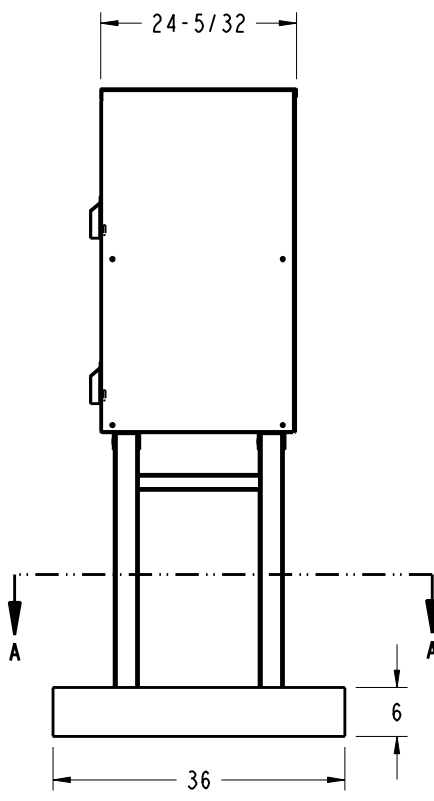
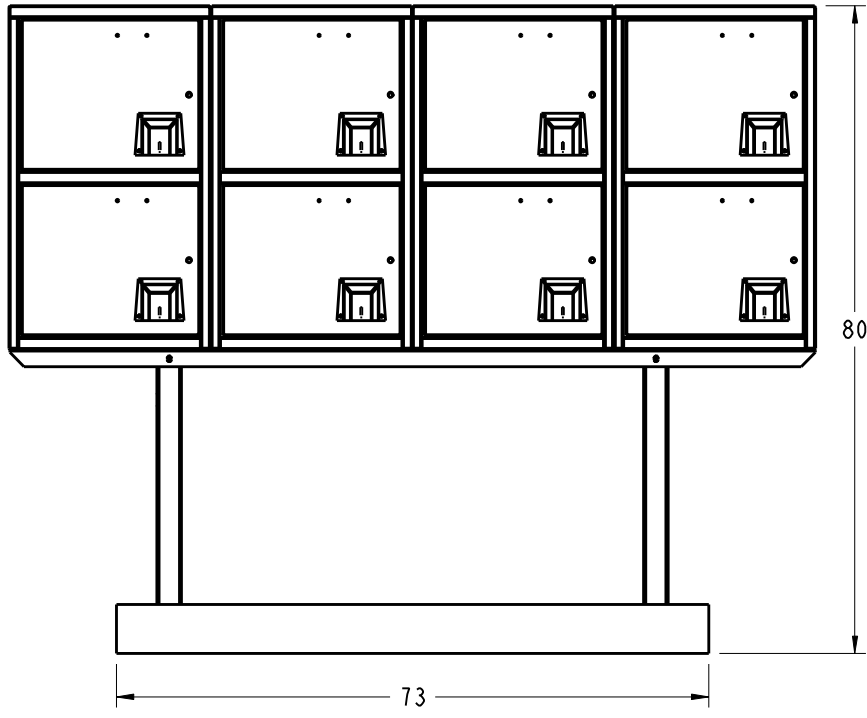
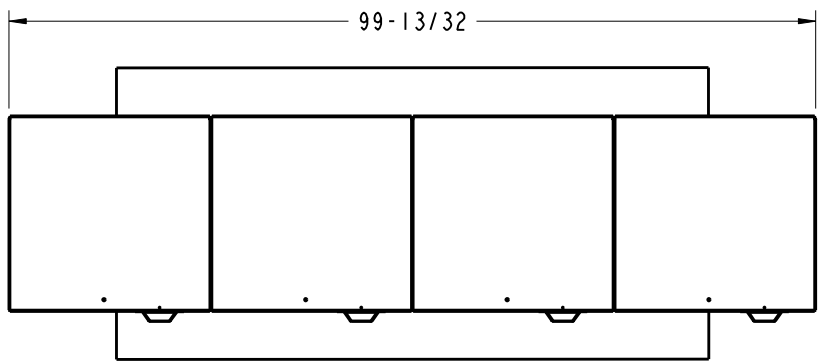
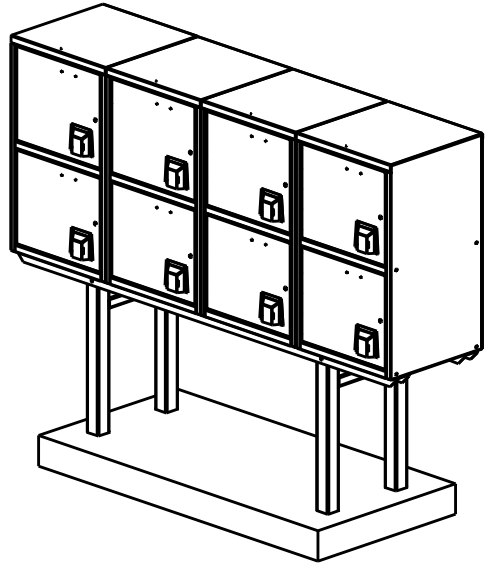


NOTE: PLACE REBARS M10  
59" (3) AND 34" (6) AS SHOWN.

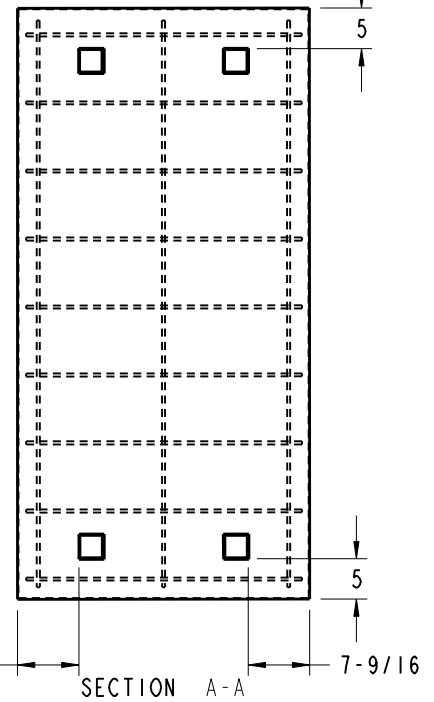


HAUL-ALL EQUIPMENT LTD.		NO.	REVISION	DCO NO DATE
PART NUMBER	FS2X4	DRAWN BY PS-PS	1	RELEASED TO PRODUCTION.
				D2572 PS 05 DEC 2014
NAME		FS2x4 ASSEMBLY	2	X X X
MATERIAL		AS SHOWN	3	X X X
		SCALE	3/64	
		FINISH	NONE	

- ALL DIMENSIONS TO BE IN INCHES UNLESS OTHERWISE NOTED.  
 - ALL DIMENSIONS TO BE  $\pm 1/32$ " UNLESS OTHERWISE NOTED.  
 - ANGULAR TOLERANCES: FORMED:  $\pm 1^\circ$ ; MACHINED  $\pm 0.5^\circ$

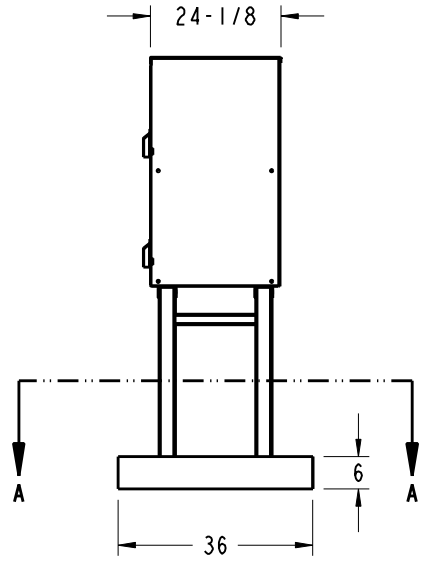
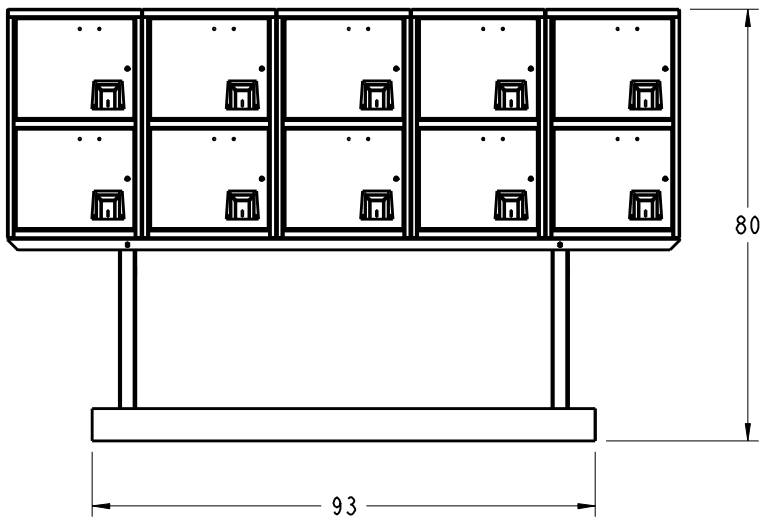
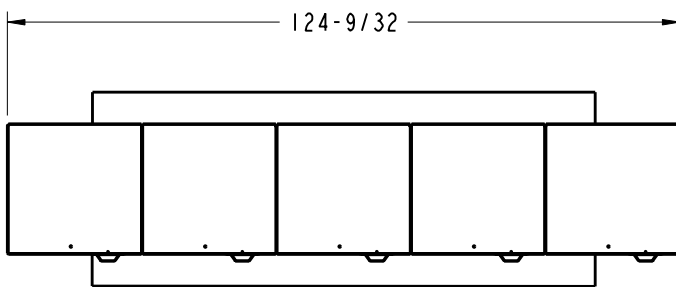
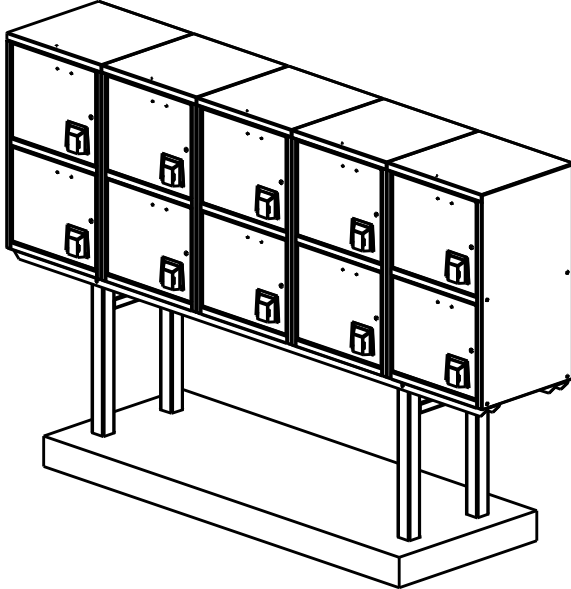


NOTE: PLACE REBARS M10  
70" (3) AND 34" (9) AS SHOWN.

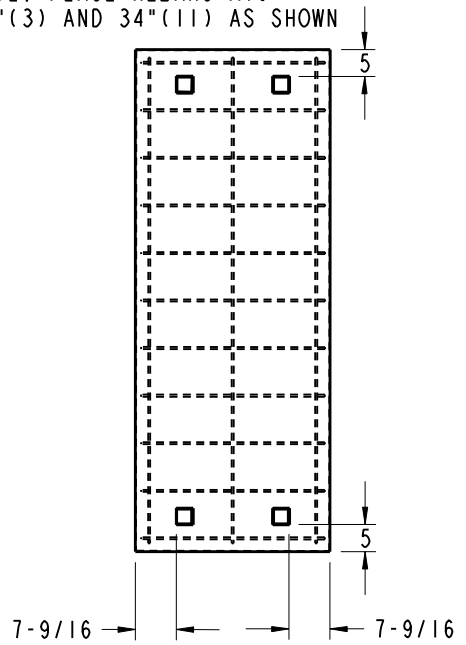


HAUL-ALL EQUIPMENT LTD.		NO.	REVISION	DCO NO DATE
PART NUMBER	FS2X5	DRAWN BY PS-PS	1	RELEASED TO PRODUCTION.
				D2572 PS 05 DEC 2014
NAME	FS2x5 ASSEMBLY		2	X X X
MATERIAL	AS SHOWN	SCALE FINISH	3	X X X
		1/32 NONE		X X

- ALL DIMENSIONS TO BE IN INCHES UNLESS OTHERWISE NOTED.  
- ALL DIMENSIONS TO BE  $\pm 1/32$ " UNLESS OTHERWISE NOTED.  
- ANGULAR TOLERANCES: FORMED:  $\pm 1^\circ$  ; MACHINED  $\pm 0.5^\circ$



NOTE: PLACE REBARS M10  
90"(3) AND 34"(11) AS SHOWN



SECTION A-A