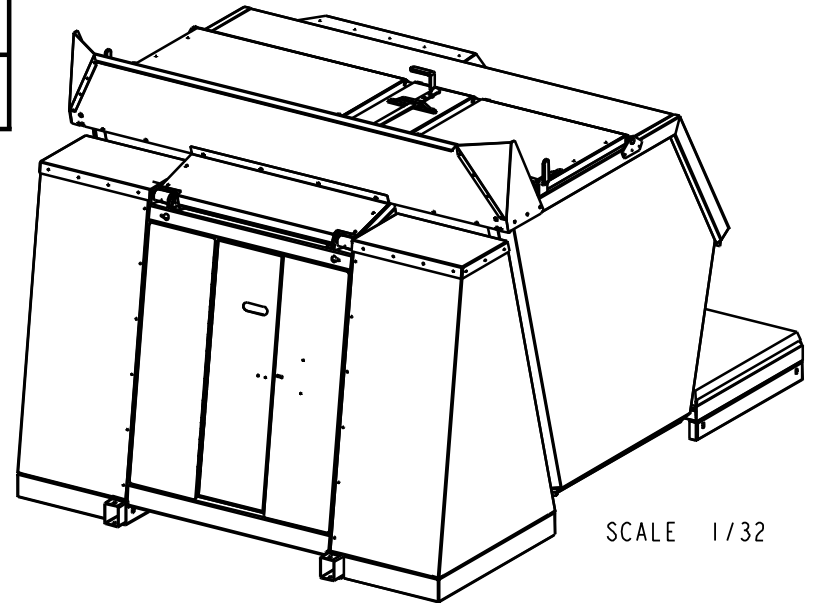
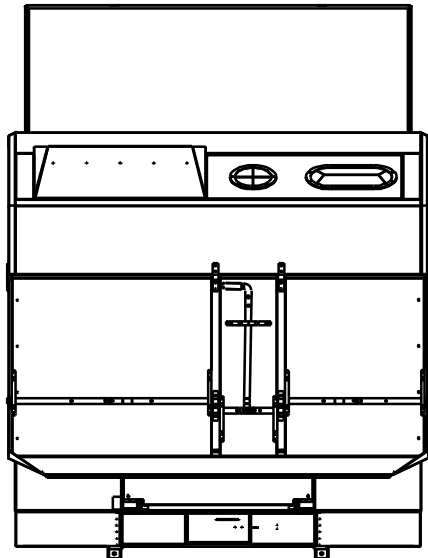
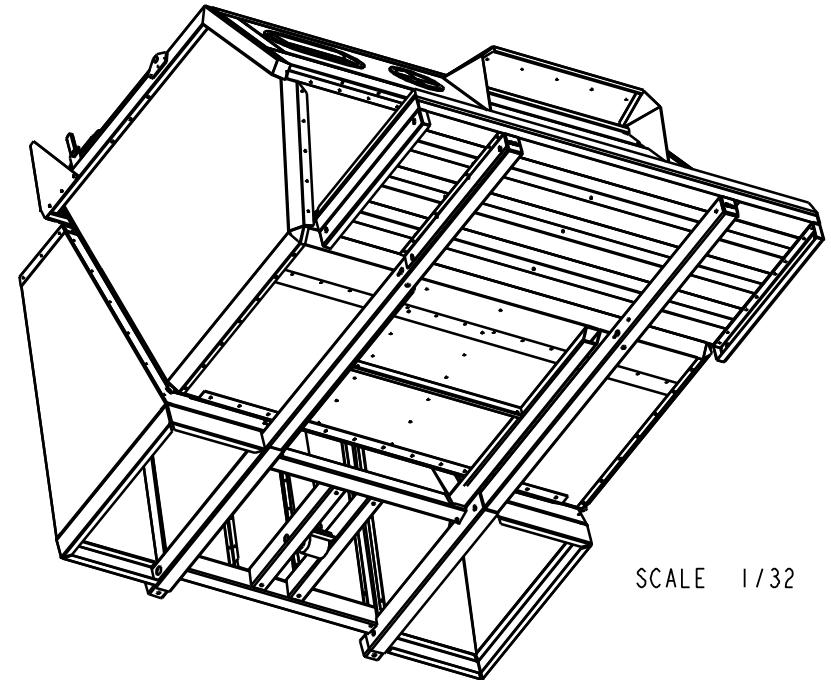
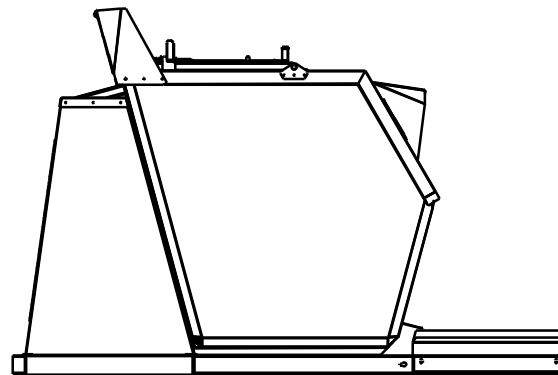
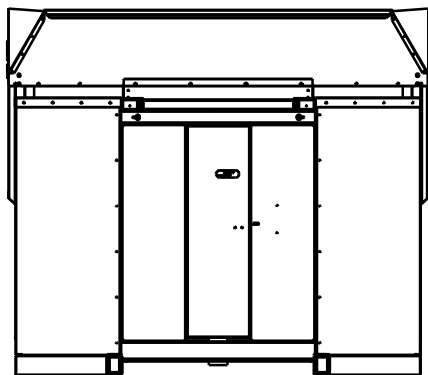


| | | | | |
|-------------------------|---------------------------------|-----|-------------------------|-----------------|
| HAUL-ALL EQUIPMENT LTD. | | NO. | REVISION | DCO NO DATE |
| PART NUMBER | HL6-CAN | 1 | RELEASED TO PRODUCTION. | PS 16 MAR 11 |
| NAME | HL6 (3-STREAM) c/w REAR CORNERS | 2 | X X X | X X |
| MATERIAL | AS SHOWN | 3 | X X X | X X |
| | SCALE 1/40 | | | |
| | FINISH NONE | | | |

- ALL DIMENSIONS TO BE IN INCHES UNLESS OTHERWISE NOTED.
- ALL DIMENSIONS TO BE $\pm 1/32$ " UNLESS OTHERWISE NOTED.
- ANGULAR TOLERANCES: FORMED: $\pm 1^\circ$; MACHINED $\pm 0.5^\circ$



SCALE 1/32



SCALE 1/32