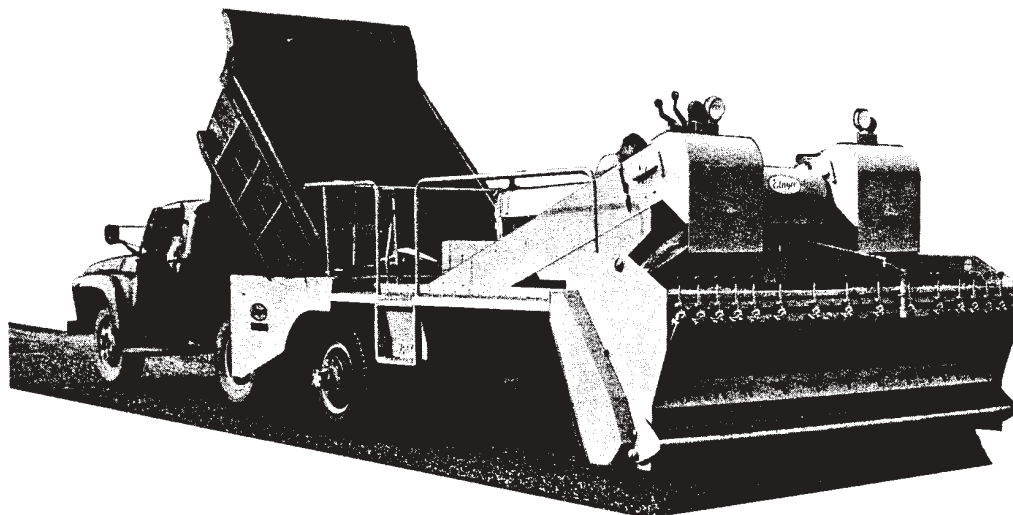


M-201-73

Serial Number Range 162 thru K-3813



CHIPSPREADER PARTS MANUAL



E. D. ETNYRE & CO., Oregon, Illinois 61061

SELF-PROPELLED CHIPSPREADER PARTS MANUAL

M-201-73

How To Order Parts

To assure prompt delivery when ordering parts, please furnish the following information: 1) Complete name and address of consignee. 2) Method of shipment preferred. 3) Is shipment to be prepaid or collect? 4) Serial numbers of units to which parts apply. 5) Complete part numbers and descriptions. 6) Any special instructions.

SPECIFY UNIT SERIAL NUMBER WHEN ORDERING PARTS

Warranty

E. D. Etnyre & Co. guarantees for a period of one year from the date of the shipment to repair or replace, F.O.B. its factory, any part which requires replacement due to defect in material or workmanship, but will not be responsible for consequential damages or any further loss by reason of such defect. This guarantee does not cover products that were not manufactured by E. D. Etnyre & Co. except to the extent of the guarantee given by the actual manufacturer.



Introduction

This manual contains a complete list of serviceable parts for the ETNYRE self-propelled ChipSpreader.

This manual is divided into four sections . . . introductory pages, table of contents, illustrations and parts lists, and numerical index.

The table of contents alphabetically lists the unit classifications and directs the user to the page where the illustration and parts list may be found. The two general identification views, interior and exterior on page 4, also directs the user to pages in the manual.

The individual parts in each illustration are shown in their normal relationship to one another. Reference numbers are used on each illustration and should not be used when ordering parts. A parts list accompanies each illustration.

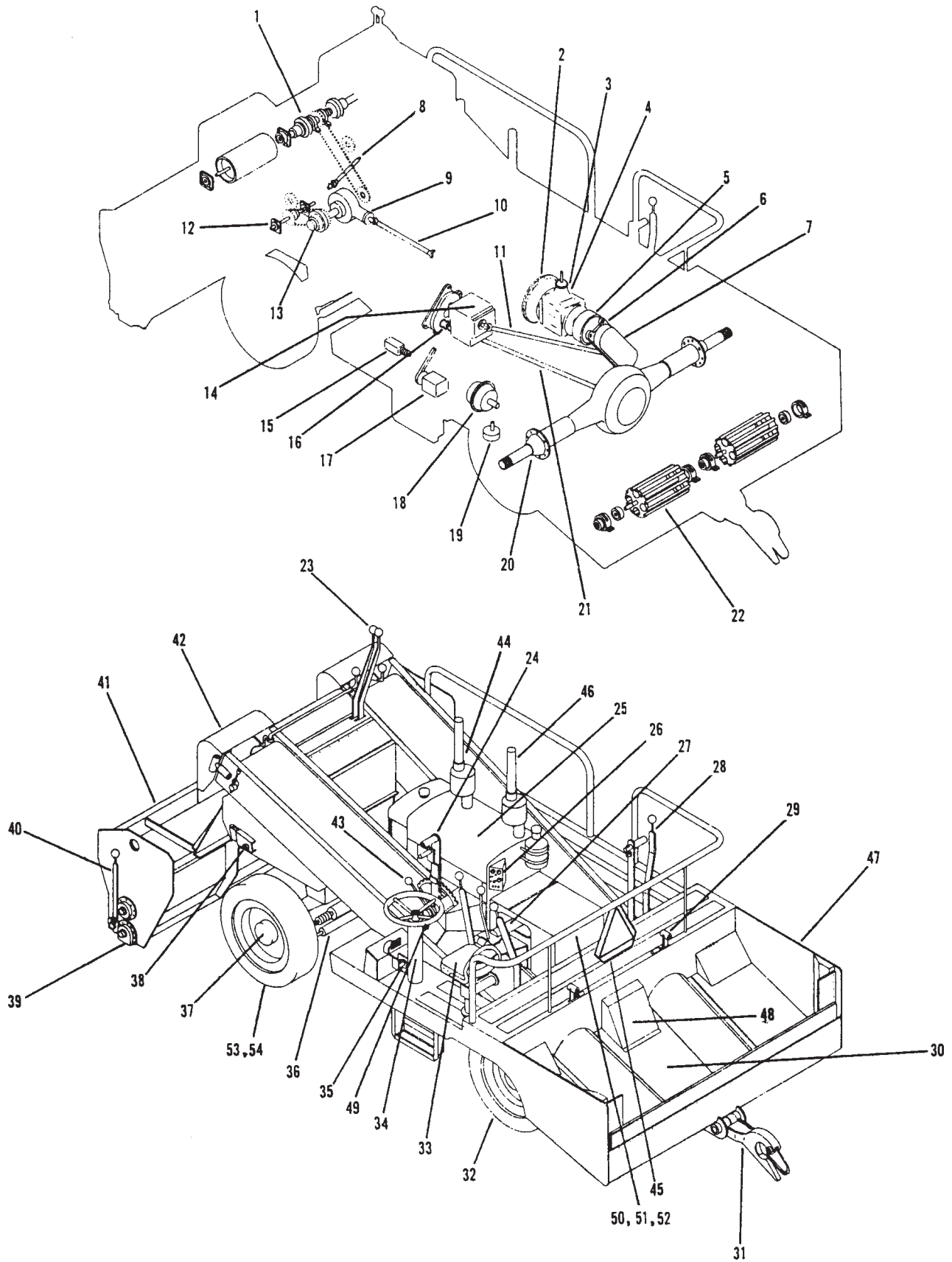
CAUTION: Located beneath each illustration page title is an explanation of the serial number range each page applies to. Care must be taken to correctly match the serial number of machine to illustration page to assure proper parts order.

A numerical index at the rear of the manual contains a listing of all part numbers with page numbers showing where each part is listed and described.

Table Of Contents

How To Order Parts	1	Segregator Assembly - S/N 104 thru K-3813	64
Warranty	1	Gate Actuating Lever Assembly	65
Introduction	2	Gate Actuating Lever Assembly	66
Table Of Contents	3	Latch Mechanisms - S/N 063 thru K-3813	67
General Identification - S/N 162 & Up	4	Hopper Control - Left Hand Drive & Dual Control	68
Front Axle Assembly - S/N 162 thru K-3423	6	Gate Control Installation - S/N 162 thru K-3813	70
Front Axle Assembly - S/N K-3424 & Up	7	Gate Latch - S/N 162 thru K-3462, K3464-73, K3475-81, K-3483, K-3490, K-3518, K-3521-22, K-3524, K-3534.	71
Two Speed Rear Axle Assembly	8	Gate Latch - S/N K-3463, K3474, K3482, K-3485-89, K-3491-3517, K-3519-20, K-3523, K-3525-33, K-3535 & Up ...	72
Transmission - 5 Speed - Clark - S/N K-3452, K-3453, K-3454, K-3457, K-3460, K-3461, K3463 & Up	10	Throttle Control - IHC Gasoline Engine	73
Transmission - 5 Speed - Clark - S/N 228 thru K3451, K-3455, K-3456, K-3458, K-3459, K-3462	12	Throttle Control - IHC Diesel Engine	74
Control Cover - Clark - S/N 228 thru K3451, K-3455, K-3456, K-3458, K-3459, K-3462	13	Throttle Control - GMC Diesel Engine	75
Transmission Control Cover Assembly - S/N K-3452, K-3453, K-3454, K-3457, K-3460, K-3461, K3463 & Up	14	Hitch, Brake & Shuttle Controls - S/N 162 thru 227	76
14 Inch Clutch Assembly	15	Hitch, Brake & Shuttle Controls - S/N 228 thru K- 3451	78
Clutch Housing And Transmission Reverse Unit	16	Hitch Controls - S/N K-3452-54, 3457, K-3460 thru K-3813 ...	80
Transmission - 5 Speed - Fuller - S/N 063 thru 227	18	Brake and Clutch Controls - IHC Engines - LH Drive	82
Transmission - Shuttle - Fuller - S/N 063 thru 227	20	Brake and Clutch Controls -GMC Engine - LH Drive	83
Transmission - Reversing Unit - Clark - S/N 228 thru K-3451, K-3455, K-3456, K-34 58, K-3459, K-3462	22	Brake and Clutch Controls - Dual Control	84
Offset Transmission	23	Shuttle Shifting Dual Controls - S/N 285 thru K-3451, K-3455-56, K-3458-59, K-3462.	85
Parking Brake - Clark - S/N 228 thru K-3451, K-3455, K-3456, K-3458, K-3459, K-3462	24	Shifting Installation - S/N 162 thru 227	86
Parking Brake - Fuller - S/N 063 thru 227	25	Shifting Installation - S/N 228 thru K-3451, K-3455-56, K-3458-59, K-3462	87
Handbrake Assembly - Clarke - S/N 228 & Up	26	5 Speed Shifting Control - Dual Control	88
Parking Brake - Clark - S/N - K-3452, K-3453, K-3454, K-3457, K-3460, K-3461, K3463 & Up	27	5 Speed Shifting Installation - S/N K-3452-54, K-3457, K-3460-61, K-3463 thru K-3813	90
Drive Line - Five Speed To Offset Transmission	28	5 Speed Shifting Installation	91
Drive Line - Offset TransTo Offset Trans	29	Handbrake - Dual Control - S/N 228 thru K-3451	92
Drive Line - Offset Trans to Shuttle - S/N 063 thru 227	30	Clutch Controls - 8 inch and 5 inch - S/N 162 & Up	93
Drive Line - Engine to Angle Drive IHC Gas and GMC ...	31	Conveying Arrangement	94
Drive Line - Engine to Angle Drive IHC Diesel	32	Lights - S/N 162 thru K-3451, K-3455, K-3458-59 & K-3462 ...	96
Drive Line - Offset Trans to Diff - S/N 063 thru 227	33	Lights - LH Drive - S/N K-3452-54,K-3457, K-3460-61, K-3463- K-3813	97
Drive Line - Offset Trans to Diff - S/N 228 & Up	34	Lights - Dual Control - S/N 162 thru K-3451, K-3455, K-3458-59 & K-3462	98
Drive Line - Chain Drive to Hopper - S/N 063 & Up	35	Lights - Dual Control - S/N K-3452-54, K-3457, K-3460-61, K-3463 Thru K-3813	99
Drive Line - Hopper drive To Chain Drive - S/N 063 thru ...	36	Electrical Schematic - IHC Gas - S/N 228 Thru K-3654, K-3665-66 & K-3670	100
Brake Lines - Left Hand Drive	37	Electrical Schematic - IHC Gas - S/N K-3655-64, K-3667-69, K-3671- K3813	101
Brake Lines - Dual Control - w/out Brake Lock	38	Electrical Schematic - IHC Diesel - S/N 228 Thru K-3654, K-3665-66 & K-3670	102
Brake Lines - Dual Control - w/ Brake Lock	40	Electrical Schematic - IHC Diesel - S/N K-3655 -64, K-3667-69, K-3671 Thru K-3813	103
Vacuum Pump	42	Electrical Schematic - GMC Eng - S/N 228 Thru K3654, K-3665-66 & K-3670	104
Rear Hydraulic Brakes - S/N 063 thru K-3669	43	Electrical Schematic - GMC Eng - S/N K-3655-64, K-3667-69, K-3671 Thru K3813	105
Rear Hydraulic Brakes - S/N K-3670 thru K-3813	44	Tachometers & HourMeter Assemblies	106
Master Cylinder - S/N 063 thru K-3813	45	Truck Hitch	107
Disc - Rear Wheel - Left and Right	46	Fuel Supply Installation	108
Hydravac Reservoir - S/N 063 thru K-3813	47	Operators Seat Assembly	109
Angle Drive Transmission - S/N 104 thru K-3813	48	Receiving Hopper Components	110
5 Inch Clutch Arrangement	49	Exhaust System	111
8 Inch Clutch Arrangement	50	Chain Drive - Main Frame - S/N 228 & Up	112
Filter - Hydraulic - S/N 162 thru K-3813	51	Hopper Material Level Mechanism	113
Hydraulic System - Left Hand Drive	52	Index	114
Hydraulic System - Dual Control	54		
Double Non-Adjusting Flow Regulator	56		
Pump - Hydraulic - S/N 063 thru K-3813	57		
Front Hopper Integral Power Unit	58		
Power Steering Unit - S/N 063 thru K-3813	59		
Spreader Gates - 6 & 12 Inch	60		
Spreader Gates - 6 & 12 Inch	61		
Spread Hopper Frame And Drive	62		

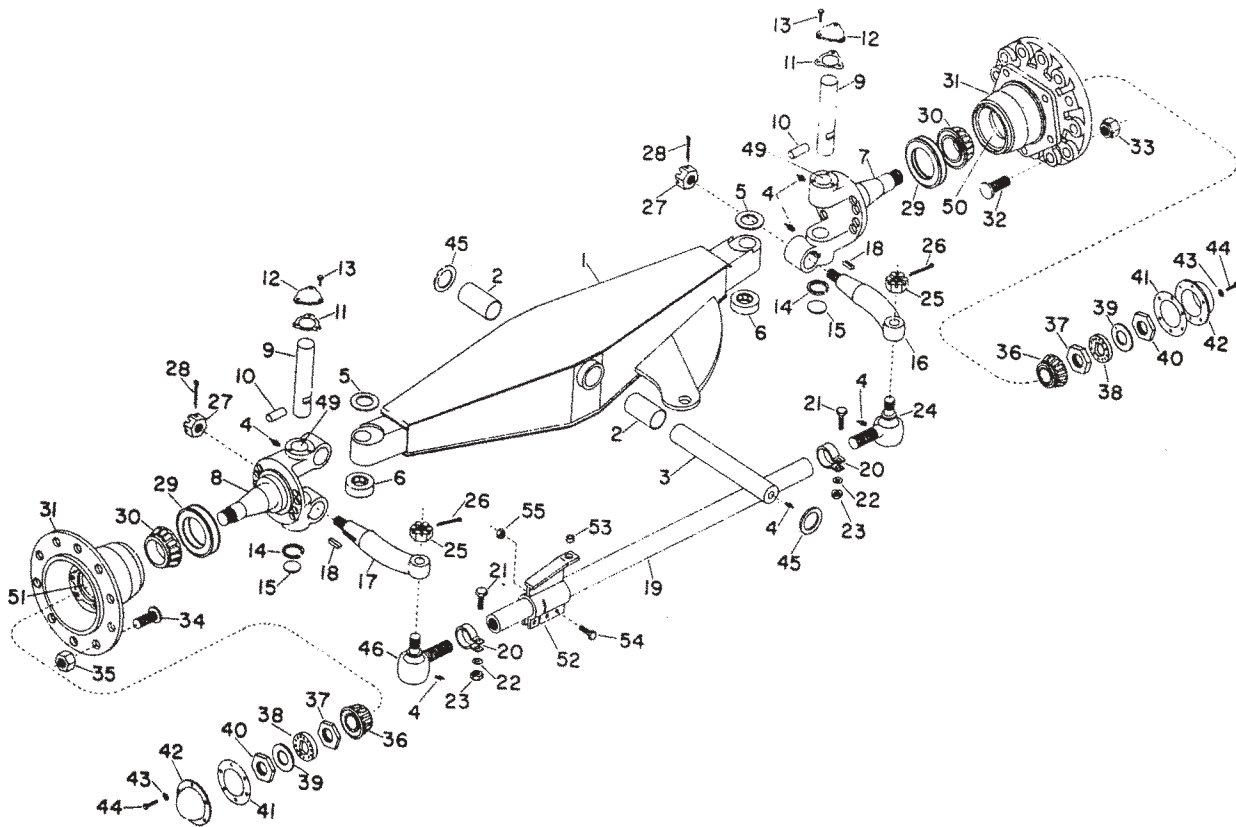
General Identification - S/N 162 & Up



General Identification

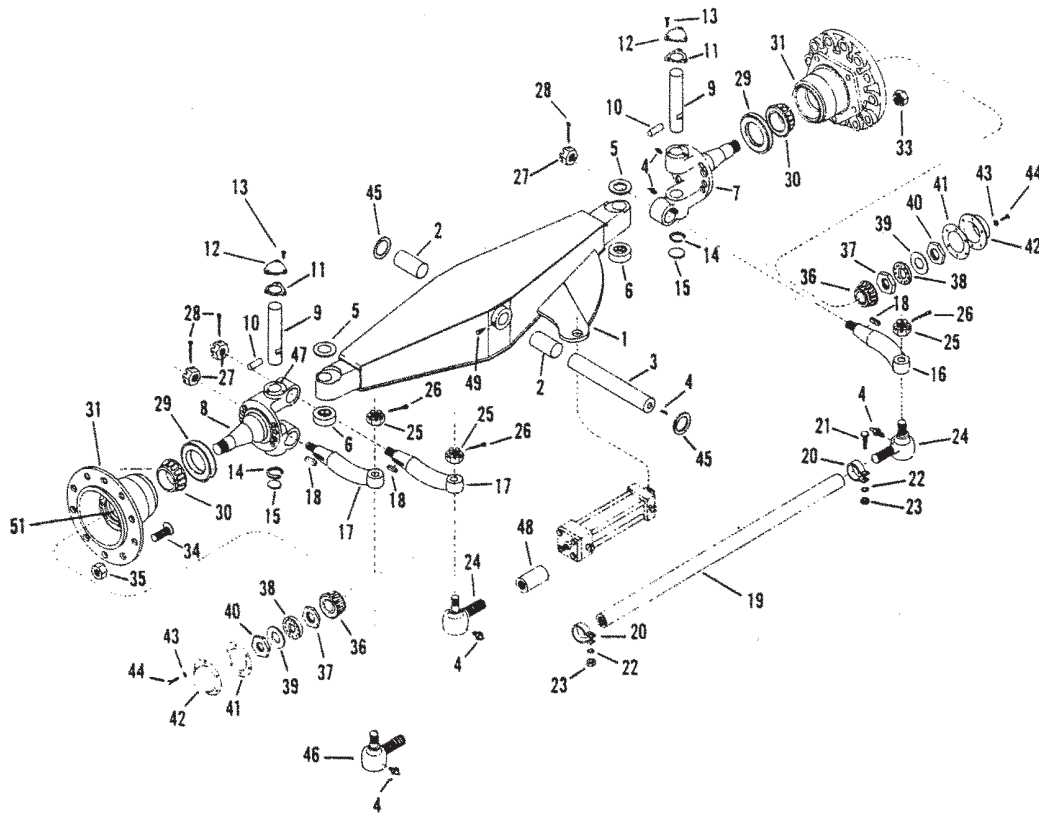
REF.	PAGE NO.	QTY.	DESCRIPTION	REF.	PART NO.	QTY.	DESCRIPTION
1	50	1	8 INCH CLUTCH ARRANGEMENT	44	7350012	2	MUFFLER -UPRIGHT
2	15	1	14 INCH CLUTCH ASSEMBLY	45	6000758	1	SLOW MOVING VEHICLE EMBLEM
3	17	1	CLUTCH HOUSING ASSEMBLY	46	3100182	2	EXHAUST EXTENSION
4	11,12	1	TRANSMISSION REVERSING UNIT		3100057	2	RAIN SHIELD
5	24,25	1	CLARK 5 SPEED TRANSMISSION	47	3120000	1	MAIN FRAME ASSEMBLY
6	28	1	PARKING BRAKE	48	3100628	1	TRANSMISSION COVER SUPPORT
			DRIVE LINE-5 SPEED TRANS TO	49	3110049	AK	STEERING WHEEL
			OFFSET TRANS (IHC UNITS)	50	6700240	1	12 VOLT BATTERY
	28	1	DRIVE LINE-5 SPEED TRANS TO	51	3160013	1	BATTERY CABLE-44 INCHES
			OFFSET TRANS (GMC UNITS)	52	3160139	1	BATTERY CABLE-17 INCHES
7	23	2	OFFSET TRANSMISSION	53	3110048	4	DISC WHEEL-20 X 7.5 JV FOR
8	35	1	DRIVE LINE-CHAIN DRIVE TO HPR		6450158	4	10:00 X 20 TUBE TYPE TIRE
	36	1	DRIVE LINE-HPR DRIVE TO CHAIN			4	DISC WHEEL-22.5 X 8.25 DC FOR
			DRIVE			4	11:22.5 TUBELESS TIRE
9	48	1	ANGLE DRIVE TRANSMISSION		6450162	4	DISC WHEEL-19.5 X 12.25 FOR
10	31,32	1	DRIVE LINE-ENGINE TO ANGLE			4	16.5 X 19.5 TUBELESS TIRE
			DRIVE	54	3110086	4	TIRE-10:00 X 20 12 PLY TUBE
11	29	1	DRIVE LINE-OFFSET TRANSMISSION			4	TYPE WITH TUBE AND FLAP
			TO OFFSET TRANSMISSION		6450157	4	TIRE-11:22.5 - 12 PLY TUBELESS
12	112	1	CHAIN DRIVE MAIN FRAME		6450161	4	TIRE-16.5 X 19.5, 16 PLY
13	49	1	5 INCH CLUTCH ARRANGEMENT				TUBELESS CONF. FEDERAL SPEC.
14	21	1	TRANSMISSION - SHUTTLE FULLER				ZZ-T-381
15	45	1	BRAKE MASTER CYLINDER				INSTRUCTION PLATES - NS
16	30	1	DRIVELINE-OFFSET TO SHUTTLE				
17	57	1	HYDRAULIC PUMP	55	3515028		CAUTION PLATE (REMAIN CLEAR OF
18	47	1	HYDRAVAC RESERVOIR				MOVING PARTS)
19	37	1	HYDRAVAC AIR CLEANER	56	3561029		CAUTION PLATE (ALWAYS HAVE
20	9	1	TWO SPEED REAR AXLE				SHIELDS IN PLACE WHEN OPER)
21	33-34	1	DRIVE LINE-OFFSET TRANSMISSION	57	3100716		SEVEN ITEM CHIPSREADER
			TO DIFFERENTIAL				GENERAL CAUTION PLATE
22	95	1	CONVEYING ARRANGEMENT	58	3190429		PLATE-IHC DIESEL (STEPS TO
23	93	1	CLUTCH THROW-OUT CONTROLS				STOP ENGINE)
24	69-70	1	GATE CONTROL INSTALLATION	59	3190430		PLATE-IHC DIESEL (PULL FOR
25		1	ENGINE				FUEL SHUT-OFF)
	111	1	EXHAUST SYSTEM	60	3190431		LIGHTS PLATE (PULL FOR ON)
26	106	1	TACHOMETERS	61	3190428		PLATE (DUAL CONTROL UNIT
	106	1	HOOR METER				OPERATION) AND WARNING
	100-105	1	ELECTRICAL SCHEMATIC DIAGRAMS	62	3100305		INSTRUCTION PLATE
	96-99	1	ELECTRICAL LIGHTING DIAGRAMS				(DEACCELERATE ENGINE) MOUNTED
27	86-87	1	SHIFTING INSTALLATION				ON FOOT REST
28	81	1	HITCH CONTROLS	63	3100307		RIGHT CONVEYOR PLATE
29	95	2	CONVEYOR FLOW REGULATOR GATES				(STOP-RUN)
30	110	1	RECEIVING HOPPER	64	3100308		2 SPEED PLATE (HIGH-LOW)
31	107	1	TRUCK HITCH	65	3100309		LEFT CONVEYOR PLATE (STOP-RUN)
32	43-44	2	REAR WHEEL BRAKES	66	3100310		PLATE (MANUAL OVER-RIDE)
33	109	AK	OPERATORS SEAT	67	3100311		DISCONNECT SWITCH PLATE (ON-
34	59	1	POWER STEERING UNIT				OFF)
35	82-84	1	BRAKE AND CLUTCH CONTROLS	68	3100689		SERIAL NUMBER PLATE-SPECIFY
36	6, 7	1	FRONT AXLE ASSEMBLY				SERIAL NUMBER
37	37-41	2	FRONT WHEEL BRAKES	69	3100693		TRANSMISSION GEAR SELECT PLATE
38	67	2	CATCH MECHANISMS	70	3100705		PLATE (PULL TO STEER) DUAL
39	63	1	SPREAD HOPPER FRAME AND DRIVE				CONTROL UNITS
40	64	1	SEGREGATOR ASSEMBLY	71	3100715		FUSE PLATE-FIVE FUSE OPENING
41	60-61,65-	1	FRONT HOPPER				PANEL
	66,71-72			72	3190427		PLATE (BRAKE LOCK SWITCH)
42	95	2	CONVEYOR DEFLECTORS	73	3100719		PLATE-PAADLE AND HOOD ADJUST
43	73-75	1	THRUTTLE CONTROLS				

Front Axle Assembly - S/N 162 thru K-3423



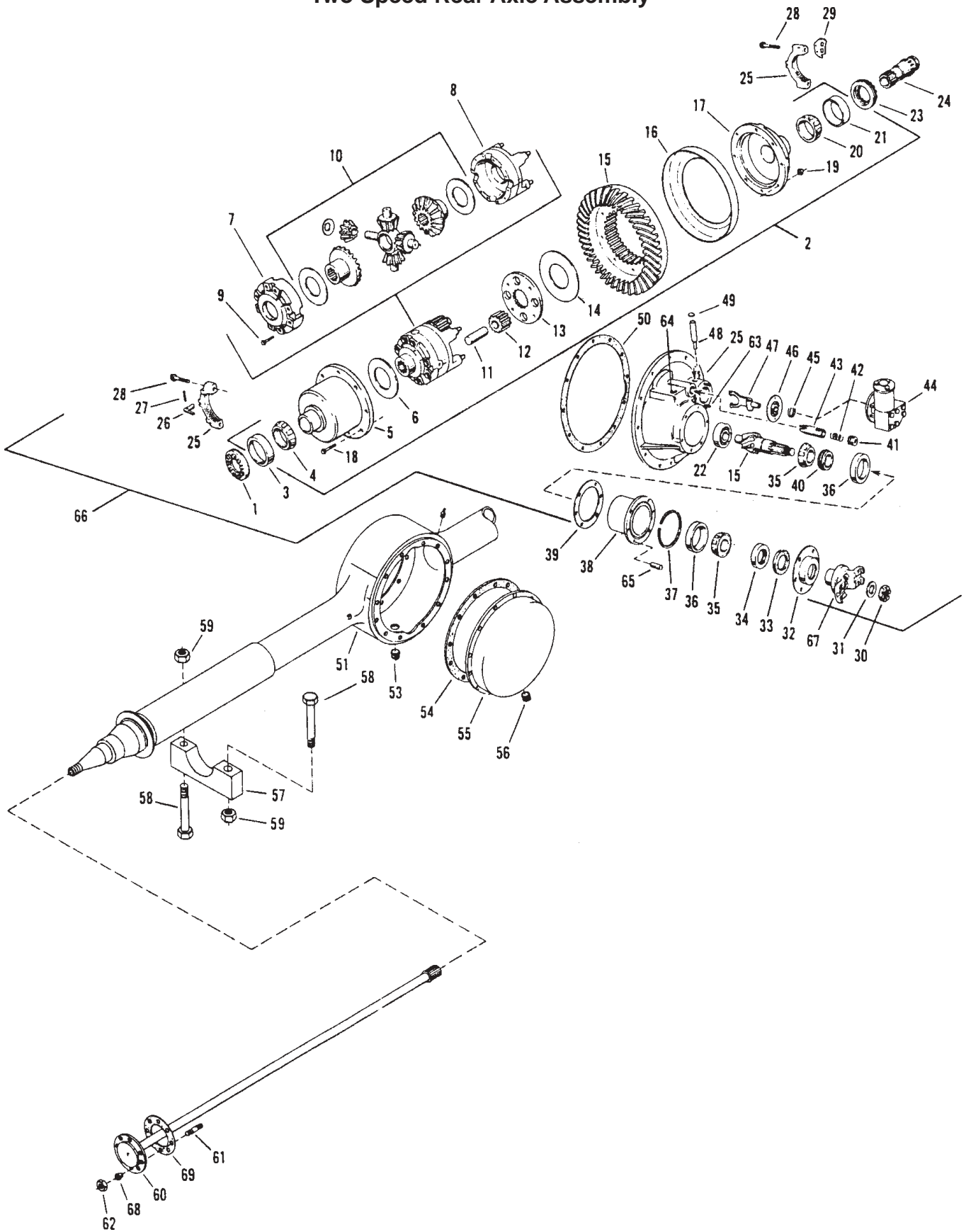
REF.	PART NO.	QTY.	DESCRIPTION	REF.	PART NO.	QTY.	DESCRIPTION
1	3100313	1	Axle Assy. - (includes items 2)	29	3100414	2	Seal
2	3100047	2	Bronze Bushing	30	3100411	2	Bearing
3	3100185	1	Axle Shaft	31	3100412	2	Hub - (includes items 50 & 51)
4	0191758	7	Zerk Fitting - 1/8" NPT	32	3100416	10	Right Stud
5	3100464	2	Shim - .010" Thick As Req.	33	3100418	10	Right Nut
	3100465	2	Shim - .015" Thick As Req.	34	3100415	10	Left Stud
6	3100462	2	Bearing	35	3100417	10	Left Nut
7	3100450	1	Right Knuckle - (includes item 49)	36	3100410	2	Bearing
8	3100449	1	Left Knuckle - (includes item 49)	37	3100421	2	Nut
9	3100461	2	Kingpin	38	3100420	2	Lock Nut Ring
10	3100472	2	Key	39	3100419	2	Adjusting Nut Lock
11	3100454	2	Gasket	40	3100409	2	Nut
12	3100453	2	Cap	41	3100408	2	Gasket
13	3100452	6	Screw	42	3100407	2	Cap
14	3100459	2	Snapping	43	0120214	12	Lockwasher - 5/16"
15	3100460	2	Plug	44	0120834	12	Hex Bolt - 5/16" N.C. x 1/2"
16	3100458	1	Lower Right Arm	45	3100056	2	Thrust Bearing
17	3100457	1	Lower Left Arm	46	3110023	1	Left Ball Joint
18	3110033	2	Key - 3/8" Square x 1-1/4"	49	3100456	4	Plastic Bushing
19	3110022	1	Rod - (includes items 20 to 23)	50	3100467	2	Cup
	3110021	1	Tie Rod Assy. - (includes items 19 to 26 & 46)	51	3100468	2	Cup
20	3100466	2	Clamps	52	3100560	1	Tie Rod Brkt. - (includes item 53)
21	0428739	2	Hex Bolts - 5/8" N.F. x 2-3/4"	53	3100559	1	Bushing
22	0121574	2	Lockwasher - 5/8"	54	3100565	3	Hex Bolt - 1/2" N.F. x 1-3/4" Gr. 8
23	0426754	2	Hex Nut - 5/8" N.F.	55	3100564	3	Hex Nuts - 1/2" N.F. Gr. 8
24	3110024	1	Right Ball Joint	3100474	1	Repair Kit - (includes items 5, 6, 9 to 15 & 49)	
25	0427646	2	Castle Nut - 7/8" N.F.				
26	0103390	2	Cotter Pin - 1/8" Dia. x 2-1/2"				
27	3100455	2	Castle Nut				
28	0103411	2	Cotter Pin - 3/16" Dia. x 2"				

Front Axle Assembly - S/N K-3424 & Up



REF.	PART NO.	QTY.	DESCRIPTION	REF.	PART NO.	QTY.	DESCRIPTION
1	3110564	1	AXLE ASM (INCL REF 2) MODELS WITH S/N K3424 THRU K3639, K3641, K3643, K3645 THRU K3654	25	0427646	3	CASTLE NUT 7/8 NF
	3110611	1	AXLE ASM (INCL REF 2) MODELS WITH S/N K3640, K3642, K3644, K3655 THRU PRESENT MODELS	26	0103390	3	COTTER PIN 1/8 X 2 1/2
2	310047	2	BRONZE BUSHING	27	3100455	2	CASTLE NUT
3	3100185	1	AXLE SHAFT	28	0103411	3	CUTTER PIN 3/16 X 2
4	0191758	8	LUBE FITTING 1/8 NPT	29	3100414	2	SEAL
5	3100464	AR	SHIM .010 THICK	30	3100411	2	BEARING
	3100465	AR	SHIM .015 THICK	31	3100412	2	HUB (INCL ITEMS 49 AND 50)
6	3100462	2	BEARING	32	3100416	10	RIGHT STUD
7	3100450	1	RIGHT KNUCKLE (INCL ITEM 47)	33	3100418	10	RIGHT NUT
8	3100449	1	LEFT KNUCKLE (INCL ITEM 47)	34	3100415	10	LEFT STUD
9	3100461	2	KING PIN	35	3100417	10	LEFT NUT
10	3100472	2	KEY	36	3100410	2	BEARING
11	3100454	2	GASKET	37	3100421	2	NUT
12	3100453	2	CAP	38	3100420	2	LOCK NUT RING
13	0120834	6	SCREW	39	3100419	2	ADJUSTING NUT LOCK
14	3100459	2	SNAP RING	40	3100409	2	NUT
15	3100460	2	PLUG	41	3100408	2	GASKET
16	3100458	1	LOWER RIGHT ARM	42	3100407	2	CAP
17	3100457	2	LOWER LEFT ARM	43	0120214	12	LOCK WASHER 5/16
18	3110033	3	KEY 3/8 SQ X 1 1/4	44	0120834	12	HEX BOLT 5/16 NC X 1/2
19	3110022	1	ROD (INCL ITEMS 20-23)	45	3100056	2	THRUST BEARING
	3110021	1	TIE ROD ASM (INCL ITEMS 10-26 AND 46)	46	3110023	1	LEFT BALL JOINT
20	3100466	2	CLAMP	47	3100456	4	PLASTIC BUSHING
21	0428739	2	HEX BOLT 5/8 NF X 2 3/4	48	3180309	1	MOUNTING BLOCK
22	0121574	2	LOCK WASHER 5/8	49	6100068	1	SQ HD HALF DOG SET SCREW 1/2 NC X 1
23	0425754	2	HEX NUT 5/8 NF	50	3100467	2	CUP NS
24	3110024	2	RIGHT BALL JOINT	51	3100468	2	CUP NS
				52	3100474	AR	KING PIN REPAIR KIT (INCL ITEMS 5,6,9-15 AND 48)NS
							AR=AS REQUIRED NS=NOT SHOWN

Two Speed Rear Axle Assembly

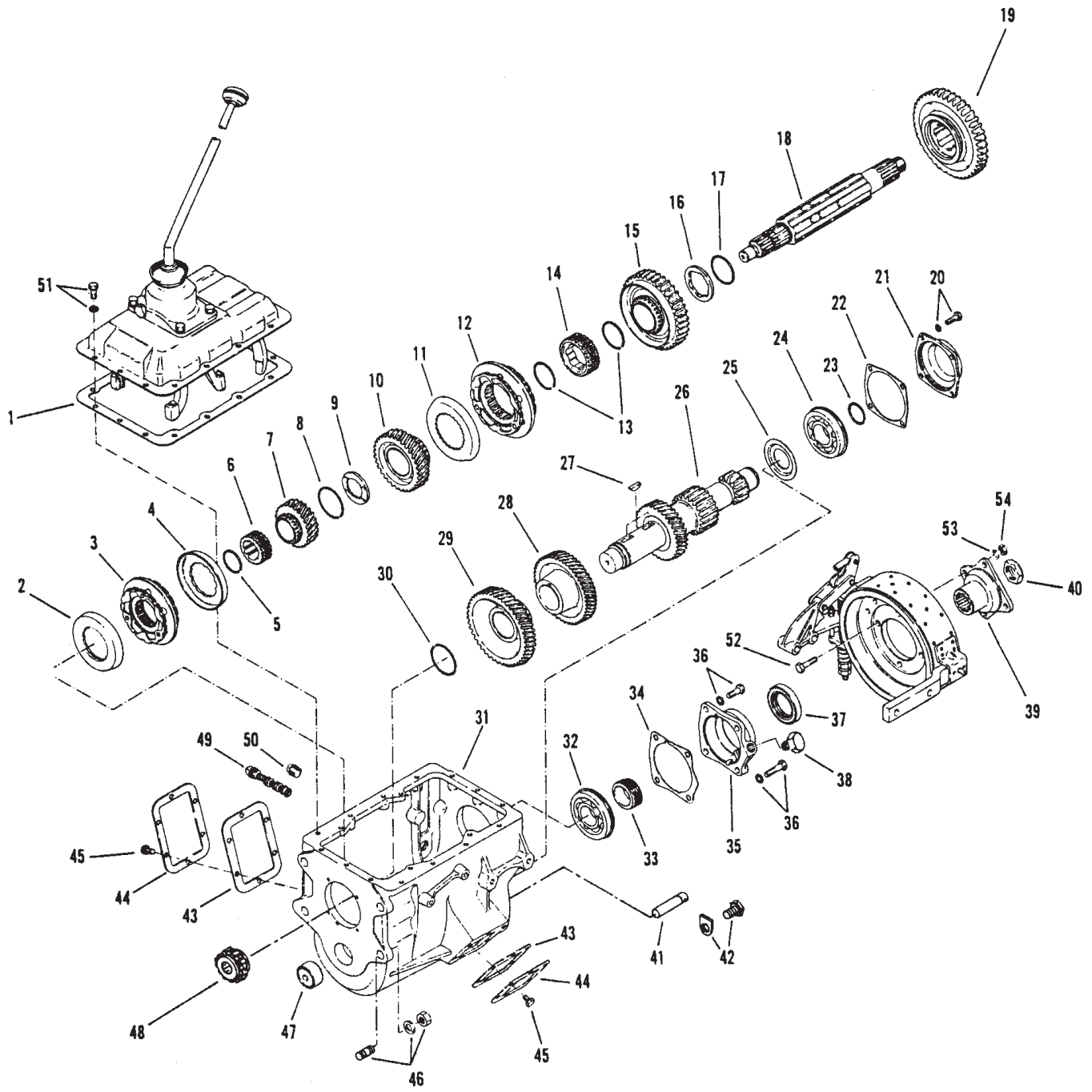


Two Speed Rear Axle Assembly

REF.	PART NO.	QTY.	DESCRIPTION	REF.	PART NO.	QTY.	DESCRIPTION
1	3110389	1	ADJUSTER-DIFF BRG,RIGHT	52	3100304	1	VENT-AIR,0.12NPT
2	3110496	1	GEAR SET GROUP (INCL REF 22)	53	0219301	1	PLUG-PIPE,SQ HD,0.75NPT,PN
3	3110413	1	CUP-DIFF BRG,RIGHT	54	3110421	1	GASKET-AXLE HOUSING COVER
4	3110412	1	BEARING-DIFF,RIGHT	55	3110420	1	COVER-DIFF HSG
5	3110411	1	CASE-GEAR SUPT,RIGHT		0122223	12	SCREW-HEX,0.44NCX0.62,GR2,PD
6	3110402	1	WASHER-THRUST,SIDE GEAR		0120383	12	WASHER-LOCK,0.44,SPRING,PD
7	3110406	1	CASE-DIFF,RIGHT	56	0219301	1	PLUG-PIPE,SQ HD,0.75NPT,PN
8	3110401	1	CASE ASM-DIFF,LEFT	57	3110553	4	BLOCK-AXLE SADDLE
9	3110407	8	BOLT-DIFF CASE	58	3100573	8	CAPSC 0.75X9NCX1.38LG THD GR8
10	7800401	1	SIDE GEAR AND PINION SET	59	3110524	8	NUT 0.75,SPECIAL
11	3110418	4	PIN-IDLER,PINION	60	7800466	2	AXLE REPLACEMENT KIT -FOR AXLE W/ STRAIGHT MOUNTING HOLES, INCLS AXLE,GASKET,6 DOWELS AND 6 LOCK NUTS
12	3110417	4	PINION-IDLER		3110644	2	AXLE-NEW STYLE W/ TAPERED MTG HOLES (REQUIRED DOWELS)
13	3110400	1	PLATE-MS CLUTCH	61	3110047	12	STUD-FLANGE DRIVE
14	3110399	1	WASHER-THRUST,MS CLUTCH	62	9413949	12	NUT-HEX,SELF LOCKING,.62NF,PD
15	3110347	1	GEAR SET-MATCHED	63	3110382	2	STUD-CARR TO SHIFT UNIT
16	3110409	1	DRUM-OIL COIL		0271506	2	NUT-HEX,0.44NF,PD
17	3110398	1	CASE-GEAR SUPT,LEFT		0120383	2	WASHER-LOCK,0.44,SPRING,PD
18	3110410	8	BOLT-GEAR,SUPT CASE	64	3110383	2	PLUG-PIPE
19	3110414	8	NUT-GEAR SUPT CASE	65	3110366	1	PIN-DOWELL,0.25X0.50
20	3110397	1	BEARING-DIFF,LEFT	66	6450349	1	CARRIER HEAD ASM(LESS REF 44)
21	3110396	1	CUP-DIFF BRG,LEFT	67	3110500	1	END-YOKE
22	3110346	1	BEARING-PINION,INNER	68	6100268	12	DOWEL-STUD LOCK,0.62,PN
23	3110378	1	ADJUSTER-DIFF BRG,LEFT	69	3110643	2	GASKET-AXLE FLG TO WHL HUB,RR
24	3110377	1	GEAR-SLIDING,CLUTCH				
25	3110387	1	CARRIER + CAPS ASM-DIFF				
	0122446	12	SCREW-HEX,0.50NCX1.75,GR2,PD				
	0120384	12	WASHER-LOCK,0.50,SPRING,PD -NS				
26	3110390	1	LOCK-RIGHT				
27	0103407	1	BOLT-DIFF CASE				
28	3110391	4	CAPSCREW-CARR CAPS				
29	3110392	1	LOCK-LEFT				
	3110393	2	CAPSCREW-LEFT LOCK -NS				
30	3110374	1	NUT-COMP FLANGE				
31	3110373	1	WASHER-COMP FLANGE				
32	3110371	1	RETAINER-OIL SEAL,PINION				
	0120896	6	SCREW-HEX,0.56NCX1.75,GR2,PD				
	0120214	6	WASHER-LOCK,0.31,SPRING,PD				
33	3110370	1	SEAL-FELT,PINION				
34	3110369	1	SEAL-OIL,RETAINER				
35	3110348	2	BEARING-PINION				
36	3110349	2	CUP-PINION BEARING				
37	3110368	1	SEAL-PINION,OIL				
38	3110367	1	CAGE-PINION BEARING				
39	3110362	AR	SHIM-PINION BRG,.003 THK				
	3110363	AR	SHIM-PINION BRG,.005 THK				
	3110364	AR	SHIM-PINION BRG,.010 THK				
	3110365	AR	SHIM-PINION BRG,.060 THK				
40	3110350	AR	SPACER-PINION BRG,0.513 THK				
	3110351	AR	SPACER-PINION BRG,0.516 THK				
	3110352	AR	SPACER-PINION BRG,0.519 THK				
	3110353	AR	SPACER-PINION BRG,0.522 THK				
	3110354	AR	SPACER-PINION BRG,0.525 THK				
	3110355	AR	SPACER-PINION BRG,0.528 THK				
	3110356	AR	SPACER-PINION BRG,0.531 THK				
	3110357	AR	SPACER-PINION BRG,0.534 THK				
	3110358	AR	SPACER-PINION BRG,0.537 THK				
	3110359	AR	SPACER-PINION BRG,0.539 THK				
	3110360	AR	SPACER-PINION BRG,0.540 THK				
	3110361	AR	SPACER-PINION BRG,0.543 THK				
41	3110383	1	PLUG-PIPE				
42	3110384	1	SPRING-OIL DIST TUBE				
43	3110385	1	TUBE-OIL DIST				
44	3110084	1	SHIFT MTR HSG ASM-DIFF				
45	3110381	1	SPRING-COUPPLING				
46	3110380	1	SEAL+CPLG SPRING ASM-SHFT FORK				
47	3110376	1	FORK+ROLLER ASM-SHIFT(INCL PIN				
	3110394	2	ROLLER-SHIFT FORK -NS				
	3110395	2	PIN-ROLLER,SHIFT FORK -NS				
48	3110375	1	SHAFT-SHIFT FORK				
49	3110379	2	PLUG-EXPANSION,0.31				
50	3110388	1	GASKET-HEAD TO HOUSING				
51	3110587	1	HOUSING ASM-REAR AXLE				

AR - AS REQUIRED
NS - NOT SHOWN

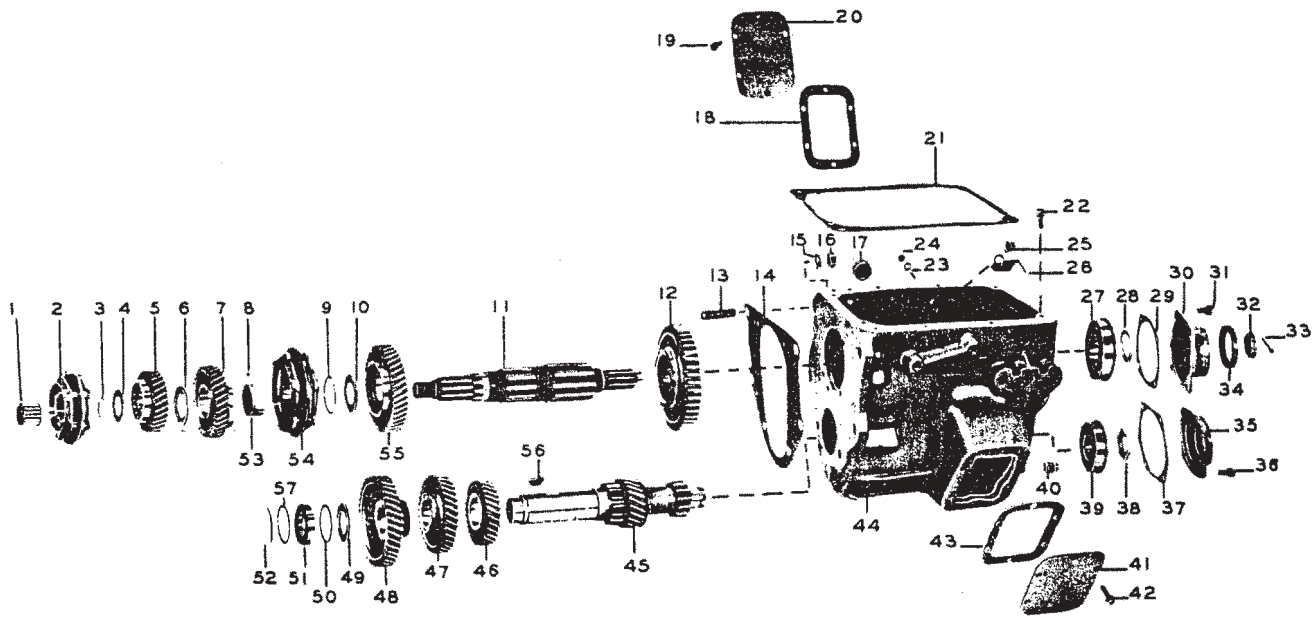
5 Speed Clark Transmission
S/N K-3452, K-3453, K-3454, K-3457, K-3460, K-3461, K3463 & Up



5 Speed Clark Transmission

REF.	PART NO.	QTY.	DESCRIPTION	REF.	PART NO.	QTY.	DESCRIPTION
1	7800362	1	SHIFT ROD COVER GASKET	52	7800382	4	BRAKE DRUM TO FLANGE BOLT
2	7800346	1	4TH AND 5TH SYNCHRO CUP	53	7800306	4	COMPANION FLANGE TO BRAKE DRUM LOCK WASHER
3	7800380	1	4TH AND 5TH SYNCHRO ASM	54	7800305	4	COMPANION FLANGE TO BRAKE DRUM NUT
4	7800346	1	4TH AND 5TH SYNCHRO CUP				
5	7800334	1	4TH AND 5TH SHFT RETAINER RING				
6	7800347	1	4TH AND 5TH HUB SLEEVE				
7	7800363	1	MAINSHAFT 4TH GEAR				
8	7800004	1	MAINSHAFT 3RD GEAR RET RING				
9	7800348	1	MAINSHAFT 3RD GEAR LOCK WASHER				
10	7800365	1	MAINSHAFT 3RD GEAR				
11	7800349	1	MAINSHAFT 3RD SYNCHRO CUP				
12	7800381	1	2ND AND 3RD SYNCHRO ASM				
13	7800330	2	2ND AND 3RD SHFT HUB SLEEVE RET RING				
14	7800350	1	2ND AND 3RD SHFT HUB SLEEVE				
15	7800372	1	MAINSHAFT 2ND GEAR				
16	7800351	1	MAINSHAFT 2ND GEAR LOCK WASHER				
17	7800330	1	MAINSHAFT 2ND GEAR RET RING				
18	7800345	1	MAINSHAFT				
19	7800367	1	MAINSHAFT 1ST GEAR				
20	7800036	4	COUNTERSHAFT REAR BEARING SCREW AND LOCK WASHER				
21	7800342	1	C. S. REAR BEARING CAP				
22	7800347	1	C. S. REAR BEARING CAP GASKET				
23	7800335	1	C. S. REAR BEARING RET RING				
24	7800340	1	C. S. REAR BEARING				
25	7800344	1	C. S. OIL SLINGER				
26	7800368	1	COUNTER SHAFT				
27	7800329	1	COUNTER SHAFT GEAR KEY				
28	7800364	1	COUNTER SHAFT 4TH GEAR				
29	7800352	1	COUNTER SHAFT DRIVE GEAR				
30	7800333	1	COUNTER SHAFT GEAR RET RING				
31	7800332	1	TRANS CASE AND BEARING ASM (INCL ITEM 47)				
32	7800340	1	MAINSHAFT REAR BEARING				
33	7800390	1	SPEEDO-DRIVE GEAR				
	7800391	1	SPEEDO-DRIVEN GEAR				
34	7800366	1	MAINSHAFT REAR BEARING CAP GASKET				
35	7800375	1	MAINSHAFT REAR BEARING CAP				
36	7800303	3	MAINSHAFT RR BEARING CAP SCREW				
	7800304	1	MAINSHAFT RR BEARING CAP SCREW				
	7800206	4	MAINSHAFT RR BEARING CAP SCREW LOCK WASHER				
37	7800321	1	MAINSHAFT REAR OIL SEAL				
38	7800393	1	SPEEDO-OPENING PLUG				
39	7800313	1	COMPANION FLANGE				
40	7800329	1	MAINSHAFT FLANGE NUT				
41	7800314	1	REVERSE IDLER SHAFT				
42	7800029	1	REVERSE IDLER SHAFT LOCK SCREW				
	7800311	1	REVERSE IDLER SHAFT LOCK				
43	7800023	2	PTO COVER PLATE GASKET				
44	7800025	2	PTO COVER PLATE				
45	7800029	12	PTO COVER PLATE SCREW AND LOCK WASHER				
46	7800199	4	REV UNIT CASE TO TRANS CASE STUD				
	7800020	4	REV UNIT CASE TO TRANS CASE STUD LOCK WASHER				
	7800021	4	REV UNIT CASE TO TRANS CASE STUD NUT				
47	7800320	1	BEARING				
48	7800316	1	M.S. SPIGOT BEARING				
49	7800338	1	DRAIN PLUG				
50	7800308	1	FILLER PLUG				
51	7800040	4	CONTRUL TOP SCREW AND LOCK				

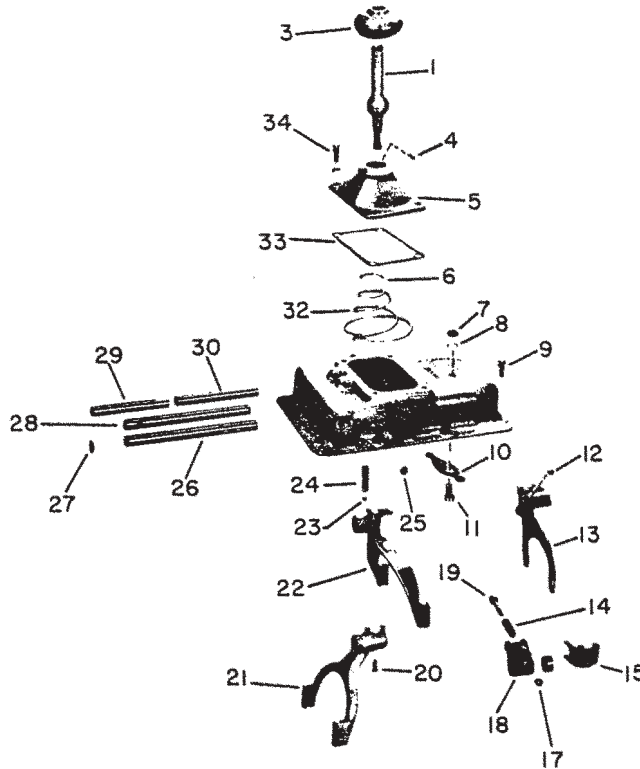
Transmission - 5 Speed - Clark
S/N 228 thru K3451, K-3455, K-3456, K-3458, K-3459, K-3462



REF.	PART NO.	QTY.	DESCRIPTION	REF.	PART NO.	QTY.	DESCRIPTION
1	7800002	2	M. S. Pilot Bearing	29	7800034	1	M. S. Rear Brg. Cap Gasket
2	7800003	1	4th & 5th Gear Synchronizer Assy.	30	7800035	1	M. S. Rear Brg. Cap Assy.
3	7800004	1	M. S. 4th Gear Ret. Ring	31	7800036	4	Brg. Cap Screw & Lockwasher
4	7800005	†	M. S. 4th Gear Ret. Washer	32	7800037	1	M. S. Flange Nut
4A	7800006	†	M. S. 4th Gear Ret. Washer	34	7800038	1	M. S. Rear Oil Seal
4B	7800007	†	M. S. 4th Gear Ret. Washer	35	7800039	1	C. S. Rear Brg. Cap
4C	7800008	†	M. S. 4th Gear Ret. Washer	36	7800040	4	C. S. Rear Brg. Cap Screw & Lockwasher
5	7800009	1	M. S. 4th Gear	37	7800041	1	C. S. Rear Brg. Cap Gasket
6	7800010	1	M. S. 3rd Gear Locating Washer	38	7800042	1	C. S. Rear Brg. Ret. Nut
7	7800011	1	M. S. 3rd Gear	39	7800043	1	C. S. Rear Brg.
8	7800012	1	Fluted Bushing Pin	40	7800044	1	Trans. Drain Plug
9	7800013	1	M. S. 2nd Gear Retainer Ring	41	7800025	1	P.T.O. Cover
10	7800014	†	M. S. 2nd Gear Ret. Washer	42	7800024	6	P.T.O. Cover Capscrew & Lockwasher
10A	7800015	†	M. S. 2nd Gear Ret. Washer	43	7800023	1	P.T.O. Cover Gasket
11	7800016	1	M. S.	44	7800045	1	Trans. Case - Inc. item 52 & 57)
12	7800017	1	M. S. 1st & Reverse Gear	45	7800046	1	C. S. Assy.
13	7800018	4	Rev. Unit to Trans. Case Stud	46	7800047	1	C. S. 3rd Gear
14	7800019	1	Rev. Unit to Case Gasket	47	7800048	1	C. S. 4th Gear
15	7800020	4	Rev. Unit to Case Stud Lockwasher	48	7800049	1	C. S. Drive Gear
16	7800021	4	Rev. Unit to Case Stud Nut	49	7800050	1	C. S. Front Brg. Spacer
17	7800022	1	Transmission Filler Plug	50	7800051	1	C. S. Gear Snap Ring
18	7800023	1	P.T.O. Cover Gasket	51	7800052	1	C. S. Front Brg.
19	7800024	6	P.T.O. Cover Screw and Lockwasher	52	7800053	1	C. S. Hole Welch Plug
20	7800025	1	P.T.O. Cover Plate	53	7800054	1	M. S. Fluted Bshg.
21	7800026	1	Shift Bar Hsg. Gasket	54	7800055	1	2nd & 3rd Gear Synchronizer Assy.
22	7800027	8	Shift Bar Hsg. Screw & Lockwasher	55	7800056	1	M. S. 2nd Gear
23	7800028	1	Oil Scraper Bolt Lockwasher	56	7800057	3	C. S. to Gear Key
24	7800029	1	Oil Scraper Bolt Nut	57	7800058	1	C. S. Welch Plug Locating Ring
25	7800030	1	Oil Scraper Bolt	N.I.	7800059	2	Brake Lever Hole Plug & Lockwasher
26	7800031	1	M. S. 2nd Gear Oil Scraper	N.I.	7800060	1	C. S. Drive Gear Spacer
27	7800032	1	M. S. Rear Brg.				
28	7800033	1	Speedometer Gear Spacer				

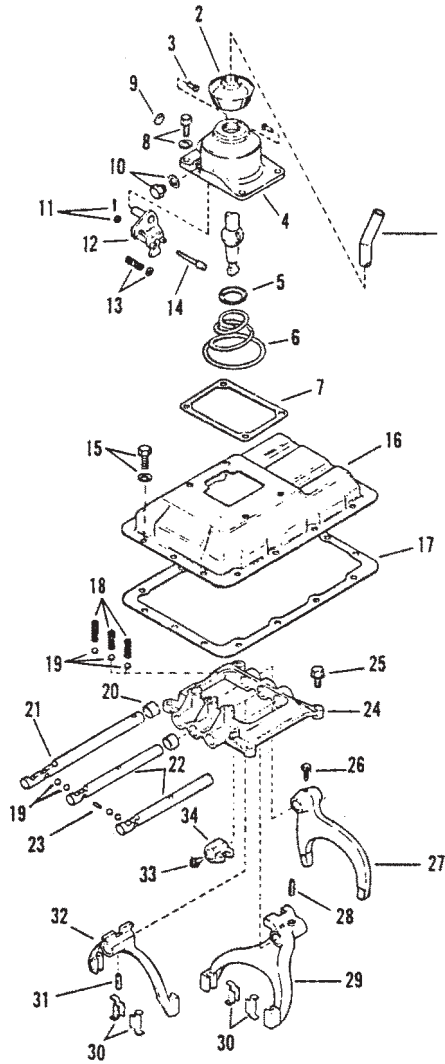
† Select one at assembly
N.I. - Not Illustrated

Control Cover - Clark
S/N 228 thru K3451, K-3455, K-3456, K-3458, K-3459, K-3462



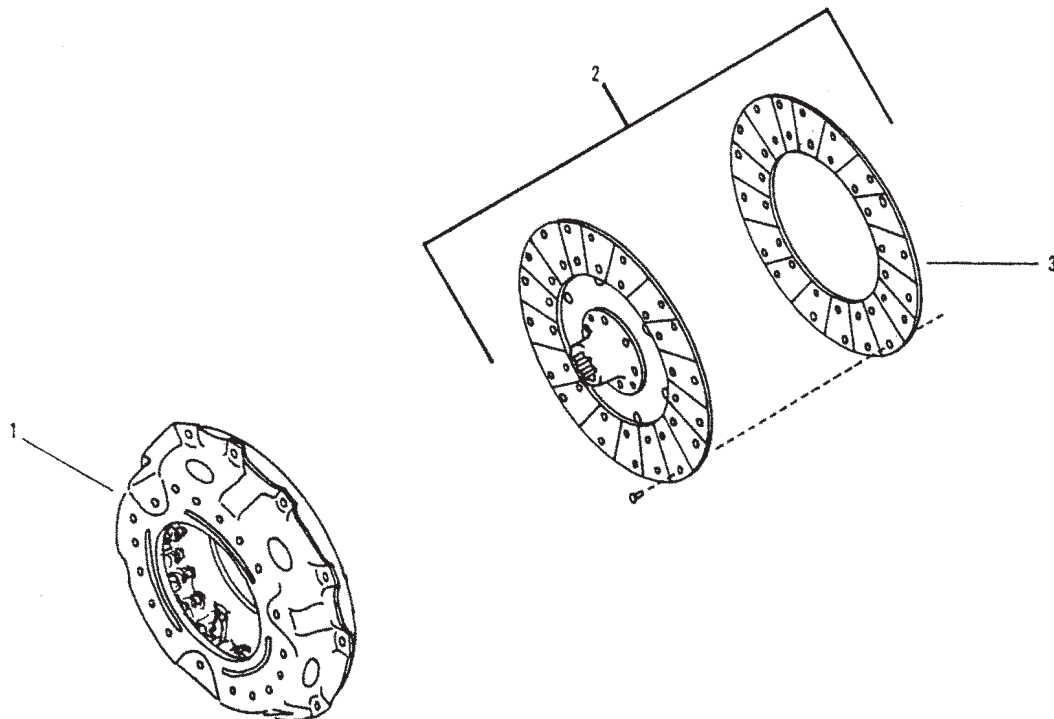
REF.	PART NO.	QTY.	DESCRIPTION	REF.	PART NO.	QTY.	DESCRIPTION
1	7800094	1	Shift Lever	22A	7800127	2	Shift Fork Bshg.
3	7800110	1	Shift Lever Dust Cover	23	7800084	7	Mesh Lock Ball
4	7800111	1	Shift Lever Pivot Pin	24	7800129	2	Mesh Lock Spring
5	7800112	1	Trans. Control Top	25	7800130	1	Welch Plug
6	7800113	1	Shift Lever Support Washer	26	7800131	1	1st & Rev. Shift Rod
7	7800114	1	Rocker Arm Pivot Pin Nut	27	7800132	3	Welch Plug
8	7800115	1	Rocker Arm Pivot Pin Lockwasher	28	7800133	1	4th & 5th Shift Rod
9	7800027	8	Control Shift Bar Hsg. Screw & Lockwasher	29	7800134	1	2nd & 3rd Shift Rod
10	7800116	1	Rocker Arm	30	7800135	1	1st Shift Fork Bar
11	7800117	1	Rocker Arm Pivot Pin	31	7800136	1	Shift Bar Hsg.
12	7800118	1	1st Mesh Lock Spring	32	7800137	1	Shift Lever Support Spring
13	7800119	1	1st Shift Fork	33	7800138	1	Control Top Gasket
14	7800120	1	Latch Plunger Spring	34	7800027	4	Control Top Screw & Lockwasher
15	7800121	1	1st Rocker Lug	N.I.	7800139	1	1st Shift Fork Bar Lockscrew
17	7800122	1	Latch Adjusting Plunger Nut	N.I.	7800140	1	Interlock Cross Pin
18	7800123	1	1st Shift Lug	N.I.	7800141	AR	Lock Screw Lockwire
19	7800124	1	1st Latch Plunger	N.I.	7800142	1	Latch Plunger Nut Cotter Pin
20	7800125	4	Fork Lock Screw				
21	7800126	1	4th & 5th Shift Fork Assy.				
21A	7800127	2	Shift Fork Bshg.				N.I. - Not Illustrated
22	7800128	1	2nd & 3rd Shift Fork Assy.				A.R. - As Required

Transmission Control Cover Assembly S/N K-3452, K-3453, K-3454, K-3457, K-3460, K-3461, K3463 & Up



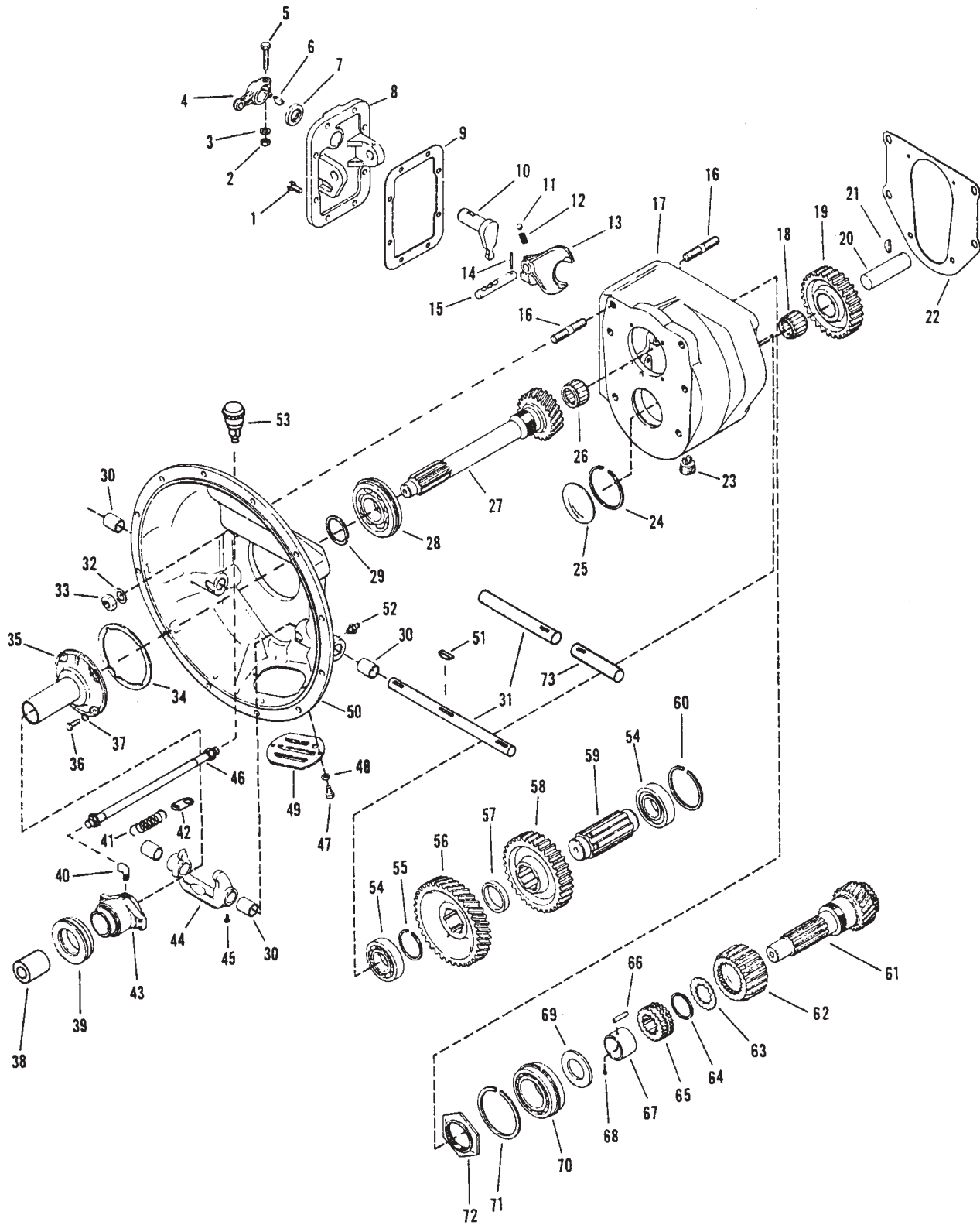
REF.	PART NO.	QTY.	DESCRIPTION	REF.	PART NO.	QTY.	DESCRIPTION
1	7800370	1	GEAR SHIFT LEVER	16	7800361	1	SHIFT ROD COVER
2	7800110	1	GEAR SHIFT LEVER DUST COVER	17	7800362	1	SHIFT ROD COVER GASKET
3	7800111	1	GEAR SHIFT LEVER PIVOT PIN	18	7800360	3	MESH LOCK SPRING
4	7800374	1	CONTROL TOP	19	7800084	7	MESH LOCK BALL
5	7800113	1	GEAR SHIFT LEVER SUPPORT WASHER	20	7800315	1	REVERSE BLOCK-OUT SPACER
6	7800383	1	GEAR SHIFT LEVER SUPPORT SPRING	21	7800354	1	1ST AND REVERSE SHIFT ROD
7	7800373	1	CONTROL TOP GASKET	22	7800355	2	2ND, 3RD, 4TH AND 5TH SHIFT ROD
8	7800040	4	CONTROL TOP SCREW AND LOCKWASHER	23	7800140	1	INTERLOCK CROSS PIN
9	7800371	1	WELCH PLUG	24	7800353	1	SHIFT ROD SUPPORT
10	7800385	1	BACK UP SWITCH HOLE PLUG	25	7800302	4	SHIFT ROD SUPPORT SCREW AND LOCKWASHER
	7800386	1	BACK UP SWITCH HOLE PLUG GASKET	26	7800125	1	LOCK SCREW
11	7800122	1	REVERSE CATCH PLUNGER NUT	27	7800356	1	1ST AND REVERSE SHIFT FORK
	7800142	1	REV LATCH PLUNGER COTTER PIN	28	7800359	1	SHIFT FORK LOCK PIN
12	7800384	1	1ST AND REVERSE ROCKER	29	7800358	1	4TH AND 5TH SHIFT FORK ASM
13	7800309	1	REVERSE LATCH PLUNGER SPRING	30	7800127	4	2ND, 3RD, 4TH AND 5TH FORK BUSHING
	7800388	1	PLUNGER SPRING RETAINER WASHER	31	7800359	1	SHIFT FORK LOCK PIN
14	7800387	1	REVERSE LATCH PLUNGER	32	7800357	1	2ND AND 3RD SHIFT FORK ASM
15	7800024	14	SHIFT ROD COVER SCREW AND LOCKWASHER	33	7800125	1	LOCK SCREW
				34	7800369	1	1ST AND REVERSE SHIFT LUG
				35	7800312	1	2ND SPEED OVERSHIFT SPACER

14 Inch Clutch Assembly



REF.	PART NO.	QTY.	DESCRIPTION	REF.	PART NO.	QTY.	DESCRIPTION
1	3110510	1	COVER ASM-IHC GAS AND DIESEL				
	3190038	1	COVER ASM-GMC DIESEL				
2	3110450	1	DRIVEN MEMBER ASM-ALL UNITS				
3	3110511	1	FACING AND RIVET GROUP (INCL 2 FACINGS AND RIVETS)				

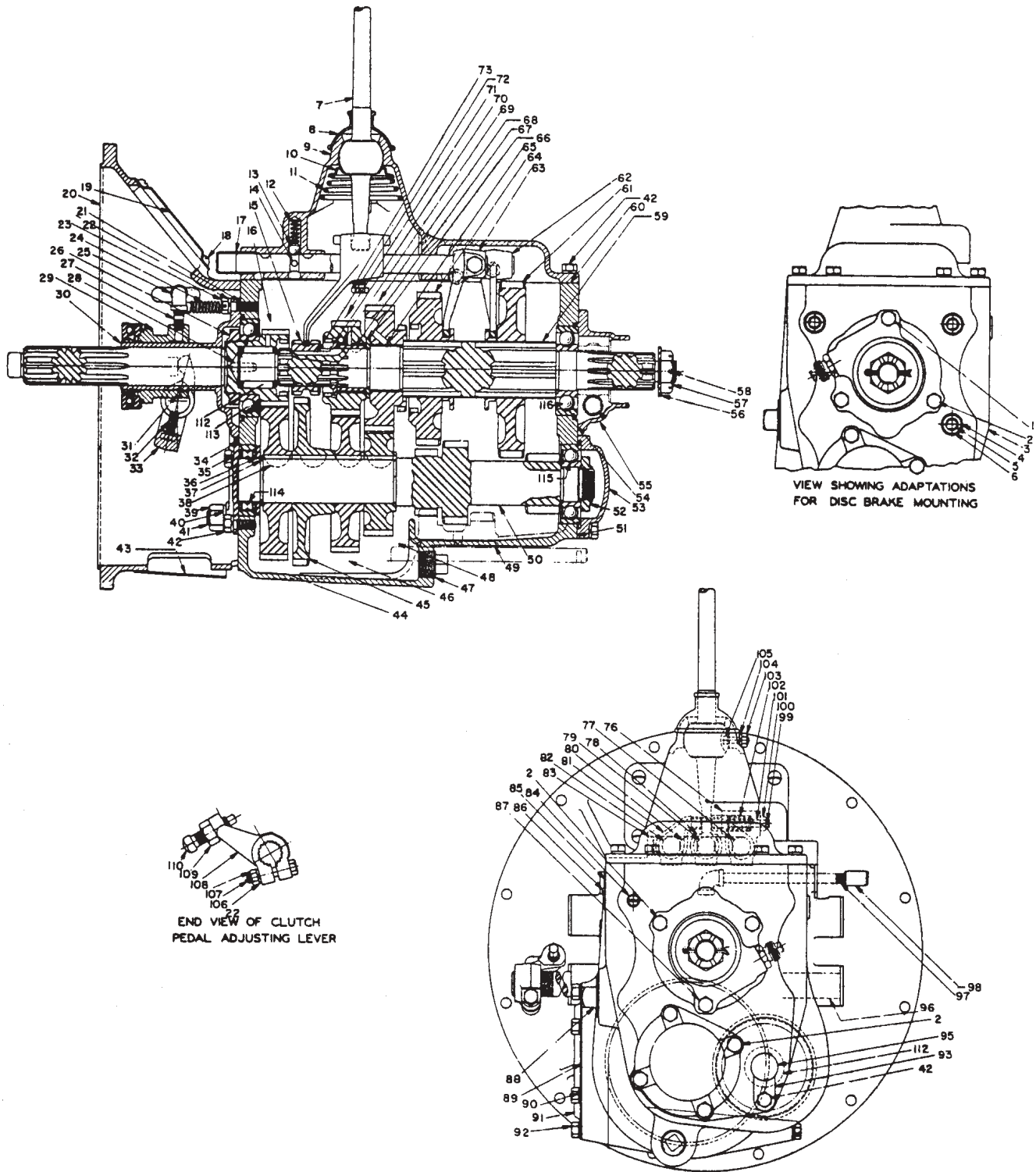
Clutch Housing And Transmission Reverse Unit



Clutch Housing And Transmission Reverse Unit

REF.	PART NO.	QTY.	DESCRIPTION	REF.	PART NO.	QTY.	DESCRIPTION
1	7800027	8	CONTROL COVER SCREW AND WASHER	63	7800070	*	REVERSE GEAR RETAINING WASHER
2	7800090	1	CLAMP BOLT NUT		7800071	*	REVERSE GEAR RETAINING WASHER
3	7800091	1	CLAMP BOLT LOCKWASHER		7800339	*	REVERSE GEAR RETAINING WASHER
4	7800088	1	OUTSIDE SHIFT LEVER	64	7800067	1	REVERSE GEAR RETAINING RING
5	7800092	1	SHIFT LEVER CLAMP BOLT	65	7800079	1	FORWARD AND REVERSE SHIFT HUB
6	7800096	1	SHIFT LEVER KEY	66	7800073	32	REVERSE GEAR ROLLER
7	7800089	1	SHIFT LEVER ARM O11 SEAL	67	7800074	1	REVERSE GEAR ROLLER BUSHING
8	7800097	1	CONTROL COVER	68	7800075	1	ROLLER BUSHING LOCK PIN
9	7800095	1	CONTROL COVER GASKET	69	7800066	1	REVERSE GEAR LOCATING WASHER
10	7800322	1	SHIFT LEVER ARM	70	7800063	1	MAINSHAFT BEARING
11	7800081	1	MESH LOCK BALL	71	7800064	1	BEARING LOCATING RING
12	7800085	1	MESH LOCK SPRING	72	7800082	1	BEARING RETAINER NUT
13	7800326	1	SHIFT FORK	73	7800153 **	1	CLUTCH STUD SHAFT
14	7800098	1	SHIFT ROD ROLL PIN				
15	7800097	1	SHIFT ROD				
16	7800199	10	STUD				* SELECT ONE AT ASSEMBLY
17	7800327	1	REVERSE UNIT CASE				
18	7800076	1	REVERSE IDLER GEAR BEARING				
19	7800077	1	REVERSE IDLER GEAR				
20	7800317	1	REVERSE IDLER SHAFT				
21	7800068	1	REVERSE IDLER SHAFT KEY				** S/N RANGE 228 THRU - K3451, K3455
22	7800019	1	GASKET-REV CASE TO TRANS CASE				K3458, K3459, K3462
23	7800323	1	DRAIN PLUG				
24	7800337	1	WELSH PLUG RETAINER RING				
25	7800099	1	WELSH PLUG				*** MODELS S/N RANGE K3452-
26	7800002	1	MAINSHAFT SPIGOT BEARING				K3454, K3457, K3460, K3461,
27	7800081	1	MAIN DRIVE GEAR				K3463 THRU K3558
28	7800083	1	MAIN DRIVE GEAR BEARING				
29	7800336	1	GEAR BEARING RETAINER RING				
30	7800154	4	CLUTCH PEDAL SHAFT BUSHING				
31	3150416 ***	1	CLUTCH SHAFT				
	7800148 **	1	CLUTCH SHAFT				
	3150434	1	SHAFT- MODELS WITH S/N RANGE K3559 THRU -				
32	7800020	6	LOCKWASHER				
33	7800021	6	CASE STUD NUT				
34	7800157	1	CAP GASKET-DRIVE GEAR BEARING				
35	7800156	1	DRIVE GEAR BEARING CAP				
36	7800158	4	CAP SCREW				
37	7800159	4	LOCKWASHER				
38	3110077	1	PILOT BEARING				
39	6410032 ***	1	CLUTCH RELEASE BEARING				
	7800152 **	1	CLUTCH RELEASE BEARING				
40	7320070	1	ELBOW FITTING				
41	6410037	1	CLUTCH RELEASE SPRING				
42	6410038	1	CLIP				
43	6410031 ***	1	BEARING CARRIER				
	7800151	1	BEARING CARRIER				
44	6410033 ***	1	CLUTCH RELEASE YOKE				
	7800149 **	1	CLUTCH RELEASE YOKE				
45	7800150	2	YOKE SCREW				
46	6600145	1	HOSE				
47	7800144	2	CLUTCH HOUSING COVER SCREW				
48	7800145	2	LOCKWASHER				
49	7800146	1	CLUTCH HOUSING COVER				
50	7800324 ***	1	CLUTCH HOUSING ASM-INCL ITM 30				
	7800147 **	1	CLUTCH HOUSING ASM-INCL ITM 30				
51	7800068	AR	CLUTCH RELEASE YOKE KEY				
52	7800155	2	LUBE FITTING				
53	0112465	1	GREASE CUP				
54	7800101	2	COUNTERSHAFT BEARING				
55	7800403	1	COUNTERSHAFT SNAP RING				
56	7800103	1	COUNTERSHAFT DRIVE GEAR				
57	7800104	1	COUNTERSHAFT GEAR SPACER				
58	7800105	1	COUNTERSHAFT REVERSE GEAR				
59	7800106	1	COUNTERSHAFT				
60	7800337	1	REAR BEARING RETAINER RING				
61	7800331	1	MAINSHAFT AND TRANS DRIVE GEAR				
62	7800078	1	REVERSE GEAR				

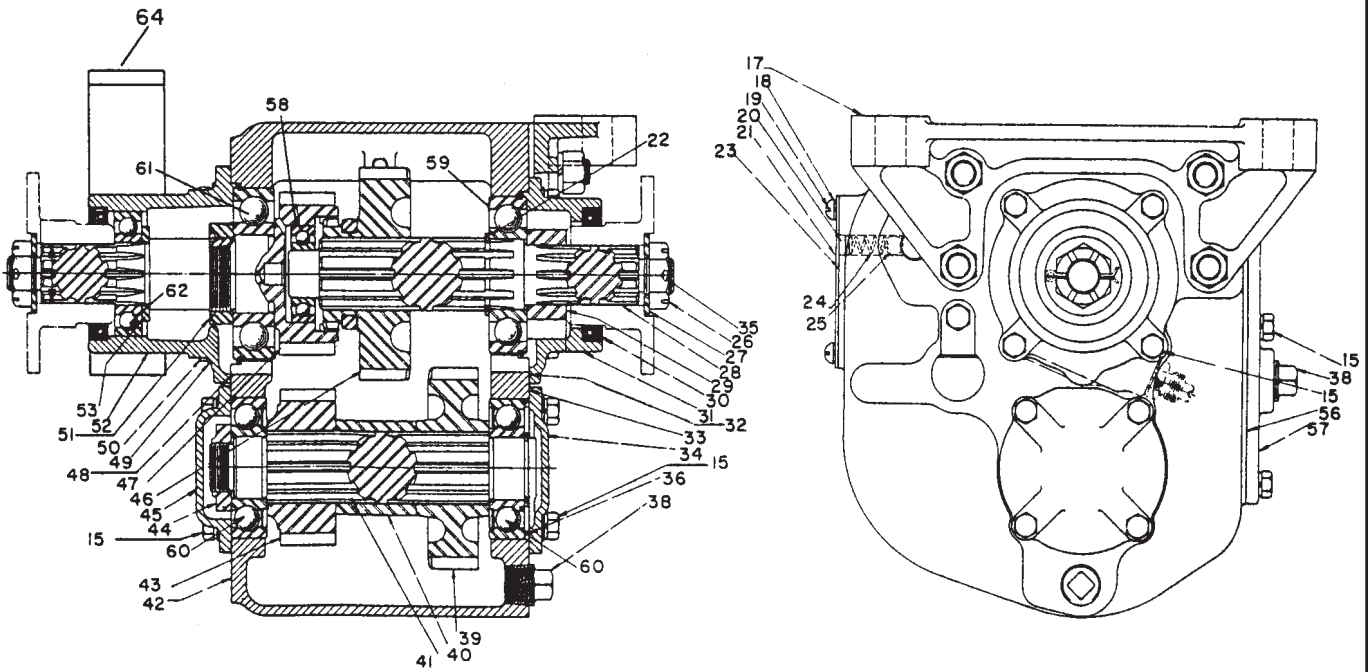
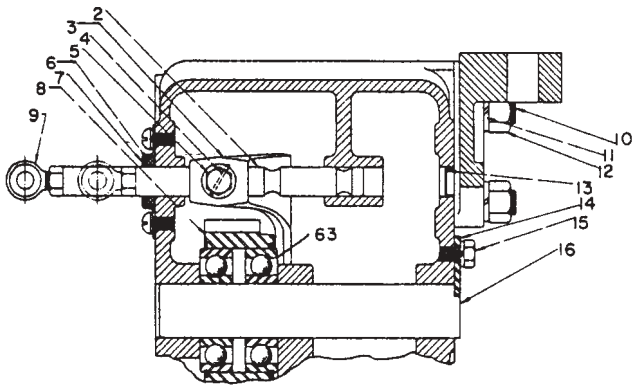
Transmission - 5 Speed - Fuller - S/N 063 thru 227



Transmission - 5 Speed - Fuller

REF.	PART NO.	QTY.	DESCRIPTION	REF.	PART NO.	QTY.	DESCRIPTION
1	0122168		Hex Bolt - 3/8" N.C. x 1-3/4"	64	3110302	1	Gear - 2nd & 3rd Sliding
2	0122145		Hex Bolt - 3/8" N.C. x 1-1/4"	65	3110303	1	Bushing - 3rd Speed Gear
3	3110260	1	Case - Transmission	66	3110304	1	Washer - 3rd Speed Gear
4	0120384		Lockwasher - 1/2"	67	3110305	1	Sleeve - 4th Speed Gear
5	3110188	3	Stud - Brake Bracket	68	3110306	1	Gear - 3rd Speed Mainshaft
6	0120371		Hex Nut - 1/2" N.F.	69	3110307	1	Bushing - 4th Speed Gear
7	3110261	1	Lever - Gear Shift	70	3110308	1	Washer - 4th Speed Gear
8	3110262	1	Boot - Gear Shift Lever	71	3110309	1	Gear - 4th Speed Mainshaft
9	3110263	1	Cover - Center Control	72	3110310	1	Key - Mainshaft
10	3110264	1	Washer - Gear Shift Lever	73	3110219	1	Screw - Yoke Locking
11	3110265	1	Spring - Control Cover Ten.	N.I.	3110311	1	Lever - Emergency Brake (located next to operator after installation of 5 speed trans.)
12	3110233	1	Spring - Position Finder				
13	3110422		Steel Ball - 1/2" dia.	N.I.	3110312	1	Ball - Gear Shift Lever
14	3110266	1	Pin - Interlock Cross	76	3110313	1	Block - 1st & Rev. Shifting
15	3110267	1	Clutch - Mainshaft Sliding	77	3110314	1	Bar - 1st & Rev. Yoke
16	3110268	1	Clutch Shaft & Drive Gear	78	3110315	1	Block - 2nd & 3rd Shifting
17	3110269	1	Thimble - Yoke Bar Hole	79	3110316	1	Bar - 2nd & 3rd Yoke
18	0131394		Rd. Hd. M.S. - 5/16" N.C. x 1/2"	80	3110423	1	Steel Ball - 3/4" dia.
19	3110270	1	Cover - Hand Hole	81	3110317	1	Yoke - 4th & Direct Shifting
20	3110271	1	Housing - Clutch SAE #2	82	3110318	1	Bar - 4th & Direct Yoke
21	3110272	1	Gasket	83	3110225	1	Thimble - Oil Retainer
22	0120382		Lockwasher - 3/8"	84	3110319	1	Plug - 1/2" N.C.
23	7800285		Hex Bolt - 3/8" N.C. x 1"	85	3110215	1	Name Plate
24	3110273	1	Spring	86	0144713		Parker Kalon - #7 x 5/16"
25	3110274	1	Elbow - Oil Pipe	87	0122168		Hex Bolt - 3/8" N.C. x 1-3/4"
26	3110275	1	Nut - Drive Gear Bearing	88	0219305		Pipe Plug - 1-1/4"
27	3110276	1	Nipple - Clutch Release Brg.	89	3110321	1	Gasket
28	3110277	1	Pin - Transmission Case	90	0120382		Lockwasher - 3/8"
29	3110278	1	Carrier - Brg., Clutch	91	3110322	1	Cover
30	3110279	1	Cover - Front Bearing	92	0122104		Hex Bolt - 3/8" N.C. x 5/8"
31			Woodruff Key #607	93	3110226	1	Lock - Idler Shaft
32	0120647		Hex Bolt - 3/8" N.F. x 1"	95	3110324	1	Shaft - Low Rev. Idler
33	3110280	1	Yoke - Clutch Release	96	3110326	1	Shaft - Short Clutch Pedal
34	3110281	1	Gasket	97	3110327	1	Pipe - Clutch Rel. Brg.
35	3110282	1	Cover - Countershaft Brg.	98	3110328	1	Coupling - Oil Pipe
36	3110283	1	Spacer - Countershaft Brg.	99	0103362		Cotter Pin - 1/16" dia. x 3/4"
37	3110284	1	Snap Ring - Bearing	100	0125224		Castle Nut - 5/16" N.F.
38			Woodruff Key #809	101	3110329	1	Plunger - Rev. Stop
39	0121358		Hex Nut - 5/8" N.F.	102	3110330	1	Spring - Rev. Stop
40	0121574		Lockwasher - 5/8"	103	0120368	1	Hex Nut - 5/16" N.F.
41	3110285	1	Stud - Clutch Housing	104	0120214	1	Lockwasher - 5/16"
42	0100134		Hex Bolt - 3/8" N.C. x 1"	105	3110331	1	Pin - Center Control
43	3110286	1	Plate - Handhole Cover	106	0120668	1	Hex Bolt - 3/8" N.F. x 1-3/4"
44	3110287	1	Gear - Countershaft Drive	107	0120369	1	Hex Nut - 3/8" N.F.
45	3110288	1	Gear - Power-Take-Off	108	3110332	1	Arm - Clutch Pedal Adj.
46	3110289	1	Gear - 4th Speed	109	0120378	1	Hex Nut - 1/2" N.C.
47	0219301		Pipe Plug - 3/4"	110	0113000	1	Sq. Hd. M.S. - 1/2" N.C. x 2"
48	3110290	1	Gear - 3rd Speed	111	3110333	1	Bearing - Clutch Release
49	3110291	1	Case - Transmission	112	3110323	1	Bearing
50	3110292	1	Countershaft - with 1st & 2nd	113	3110334	1	Bearing
51	3110293	1	Gasket	114	3110336	1	Bearing
52	3110250	1	Nut - Countershaft Brg.	115	3110337	1	Bearing
53	3110294	1	Cover - Rear Brg.	116	3110338	1	Bearing
54	3110295	1	Gasket	N.I.	3110077	1	Bearing - Pilot
55	3110296	1	Brg. Cover & Speedometer Hsg.				N.I. - Not Illustrated
56	3110235	2	Washer - Mainshaft				
57	3110234	2	Castle Nut - Mainshaft				
58	0103388		Cotter Pin - 1/8" dia. x 1-3/4"				
59	3110297	1	Mainshaft - Splined				
60	3110298	1	Gasket				
61	3110299	1	Gear - 1st Speed Sliding				
62	3110300	1	Yoke - Low Speed Shifting				
63	3110301	1	Yoke - 2nd & 3rd Shifting				

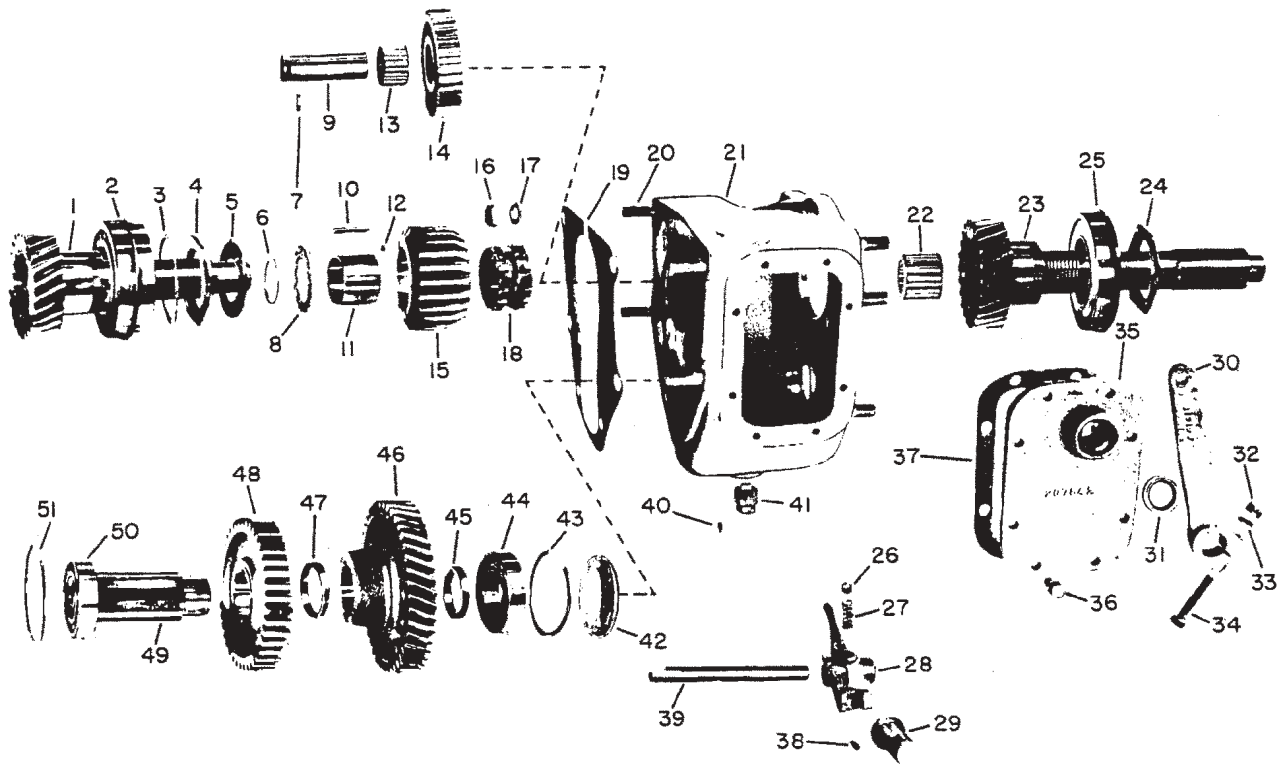
Transmission - Shuttle - Fuller - S/N 063 thru 227



Transmission - Shuttle - Fuller

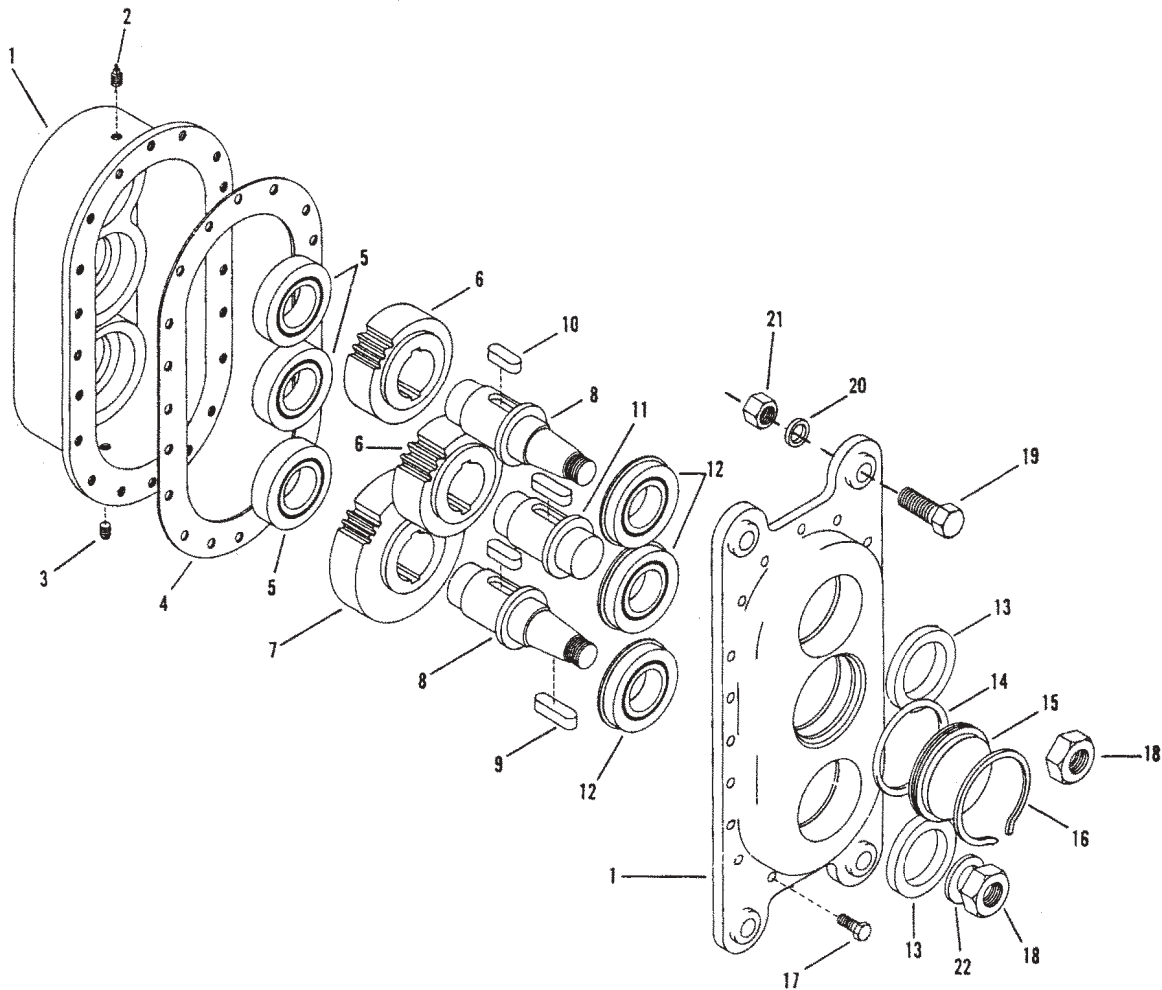
REF.	PART NO.	QTY.	DESCRIPTION	REF.	PART NO.	QTY.	DESCRIPTION
N.I.	3110215	1	Plate - Name and Serial Number	64	3170006	1	Transmission Support
2	3110216	1	Bar - Yoke				
3	3110217	1	Yoke - Shifting				
4	3110218	1	Wire - Locking (not serviced separately)				(N.I.) Not Illustrated
5	3110219	1	Screw - Yoke Locking				
6	3110220	1	Seal - Cork				
7	3110221	1	Retainer - Cork Seal				
8	3110222	1	Gear - Reverse Idler				
9	3110223	1	End - Eye Rod				
10	3110224	4	Stud - Transmission Case				
11	0121574	4	Lockwasher - 5/8"				
12	0121358	4	Hex Nut - 5/8" N.F.				
13	3110225	1	Thimble - Oil Retaining				
14	3110226	1	Lock - Idler Shaft				
15	0120233	13	Hex Bolt - 3/8" N.C. x 1"				
16	3110227	1	Shaft - Reverse Idler				
17	3110228	1	Bracket - Rear Support				
18	0120214	2	Lockwasher - 5/16"				
19	0131394	2	Rd. Hd. M. S. - 5/16" N.C. x 1/2"				
20	3110229	1	Spacer - Spring				
21	3110230	1	Cover - Reverse Idler				
22	3110231	1	Ring - Clutch Shaft Snap				
23	3110232	1	Gasket - Idler Cover				
24	3110233	1	Spring - Position Finder				
25	3110422	1	Steel Ball - 1/2"				
26	3110234	2	Nut - Mainshaft Castle				
27	3110235	2	Washer - Mainshaft				
28	3110236	1	Mainshaft - Splined				
29	3110237	1	Spacer - Universal Joint				
30	3110238	2	Seal - Oil (perfect)				
31	3110239	1	Cover - Mainshaft Bearing				
32	3110240	1	Gasket - Brg. Cover				
33	3110241	1	Gasket - Brg. Cover				
34	3110242	1	Cover - Countershaft Rear Brg.				
35	0103388	2	Cotter Pin - 1/8" x 1-3/4"				
36	3110243	1	Spacer - Countershaft Rear Brg.				
N.I.	3110244	1	Ring - Countershaft Rear Brg.				
38	0219301	2	Pipe Plug - 3/4"				
39	3110245	1	Gear - Countershaft Reverse				
40	3110246	1	Spacer - Countershaft Gear				
41	3110247	1	Countershaft				
42	3110248	1	Case - Transmission				
43	3110249	1	Gear - Countershaft Drive				
44	3110250	1	Nut - Countershaft Bearing				
45	3110251	1	Cover - Countershaft Front Brg.				
46	3110252	1	Gear - Mainshaft Sliding				
47	3110253	1	Gear - Main Drive				
48	3110254	1	Gasket - Bearing Housing				
49	0120383	1	Lockwasher - 7/16"				
50	0122267	1	Hex Bolt - 7/16" N.C. x 1-1/4"				
51	3110255	1	Nut - Drive Gear Bearing				
52	3110256	1	Support - Bearing Housing				
53	3110257	1	Washer - Drive Gear Bearing				
N.I.	0144713	1	Parker Kalon Screw - #7 x 5/16"				
56	3110258	1	Gasket - Transmission Cover				
57	3110259	1	Cover - Transmission Case				
58	3110339	1	Bearing				
59	3110340	1	Bearing				
60	3110341	1	Bearing				
61	3110342	1	Bearing				
62	3110343	1	Bearing				
63	3110344	1	Bearing				

Transmission - Reversing Unit - Clark
S/N 228 thru K-3451, K-3455, K-3456, K-34 58, K-3459, K-3462



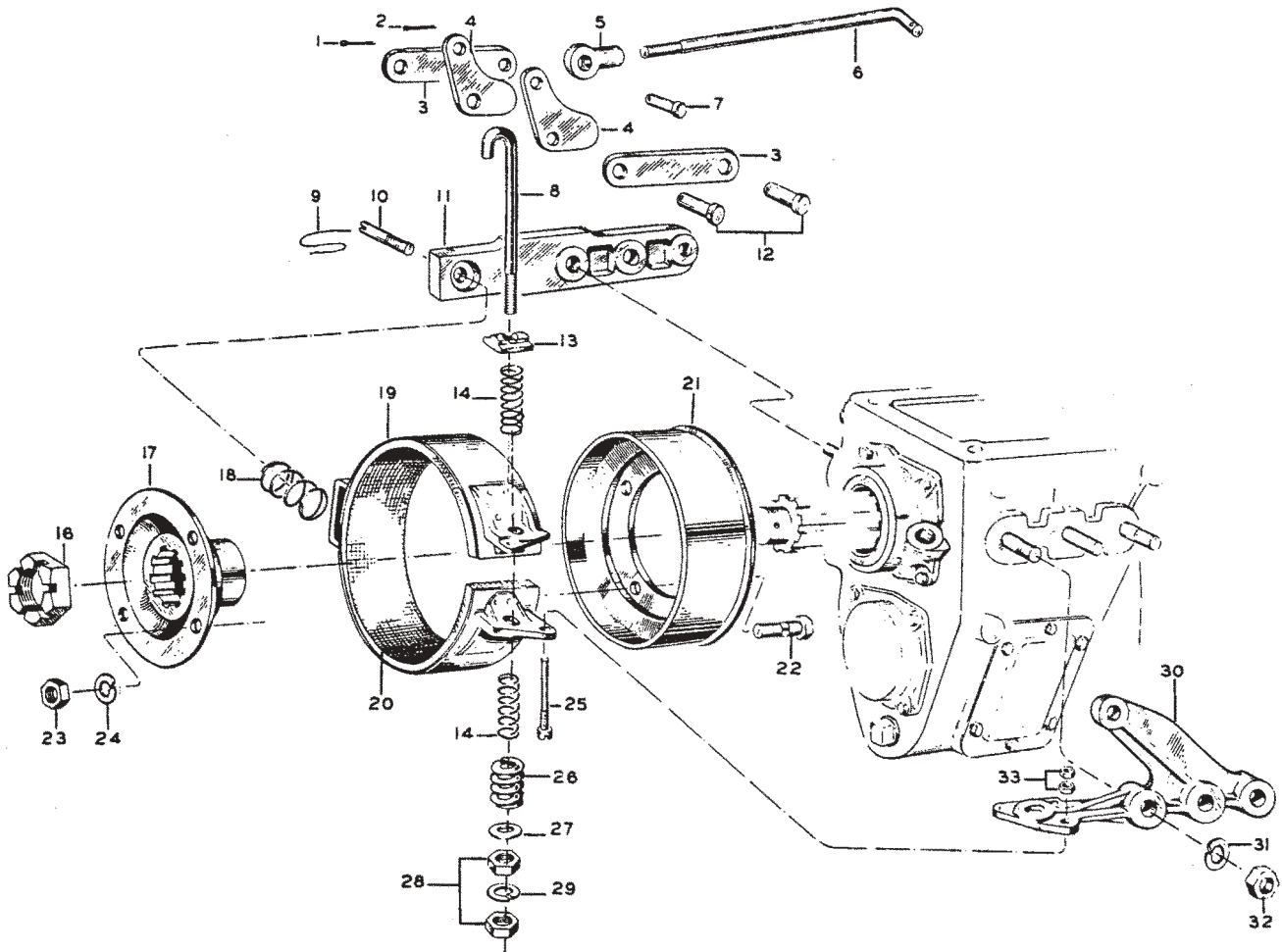
REF.	PART NO.	QTY.	DESCRIPTION	REF.	PART NO.	QTY.	DESCRIPTION
1	7800062	1	M. S. & Trans. Drive Gear	27	7800085	1	Mesh Lock Spring
2	7800063	1	M. S. Rear Brg.	28	7800086	1	Shift Fork
3	7800064	1	M. S. Rear Brg. Ret. Ring	29	7800087	1	Shift Lever Arm
4	7800065	1	M. S. & Trans. Drive Gear Nut	30	7800088	1	Shift Lever Finger
5	7800066	1	M. S. Rev. Gear Loc. Washer	31	7800089	1	Shift Lever Arm Oil Seal
6	7800067	1	M. S. Rev. Gear Ret. Ring	32	7800090	1	Clamp Bolt Nut
7	7800068	1	M. S. Idler Gear Shaft Key	33	7800091	1	Clamp Bolt Nut Lockwasher
8	7800069	AR	M. S. Rev. Gear Ret. Washer	34	7800092	1	Clamp Bolt
8A	7800070	AR	M. S. Rev. Gear Ret. Washer	35	7800093	1	Rev. Unit Control Cover
8B	7800071	AR	M. S. Rev. Gear Ret. Washer	36	7800027	8	Control Cover Bolt & Lockwasher
9	7800072	1	M. S. Idler Gear Shaft	37	7800095	1	Control Cover Gasket
10	7800073	32	M. S. Rev. Gear Roller	38	7800096	1	Shift Lever Finger Key
11	7800074	1	M. S. Rev. Gear Roller Bshg.	39	7800097	1	Shift Rail
12	7800075	1	Roller Bshg. Lock Pin	40	7800098	1	Shift Rail Roll Pin
13	7800076	1	Rev. Idler Gear Brg.	41	7800044	1	Rev. Unit Drain Plug
14	7800077	1	Rev. Idler Gear	42	7800099	1	C. S. Front Brg. Plug
15	7800078	1	M. S. Rev. Gear	43	7800100	1	C. S. Front Brg. Ring
16	7800021	4	Rev Unit Case to Trans. Case Nut	44	7800101	1	C. S. Front Brg.
17	7800020	4	Rev. Unit Case to Trans. Case Stud Lockwasher	45	7800102	1	C. S. Front Brg. Spacer
18	7800079	1	M. S. For. & Rev. Shift Hub	46	7800103	1	C. S. Drive Gear
19	7800019	1	Rev. Unit Case to Trans. Case Gasket	47	7800104	1	C. S. Gear Spacer
20	7800018	4	Rev. Unit Case to Trans. Case Stud	48	7800105	1	C. S. Rev. Gear
21	7800080	1	Rev. Unit Case Assy. - (inc. items 42 & 43)	49	7800106	1	Rev. Unit Countershaft
22	7800002	1	M. S. Pilot Brg.	50	7800101	1	C. S. Rear Brg.
23	7800081	1	Main Drive Gear	51	7800100	1	C. S. Brg. Loc. Ring
24	7800082	1	Main Drive Gear Nut		7800107	1	Rev. Unit Control Cover Assy. - Inc. items 26 thru 29, 31, 35 & 39 & 40)
25	7800083	1	Main Drive Gear Brg.	N.I.	3110077	1	Bearing - Pilot
26	7800084	1	Mesh Lock Ball				N.I. - Not Illustrated
							A.R. - As Required

Offset Transmission



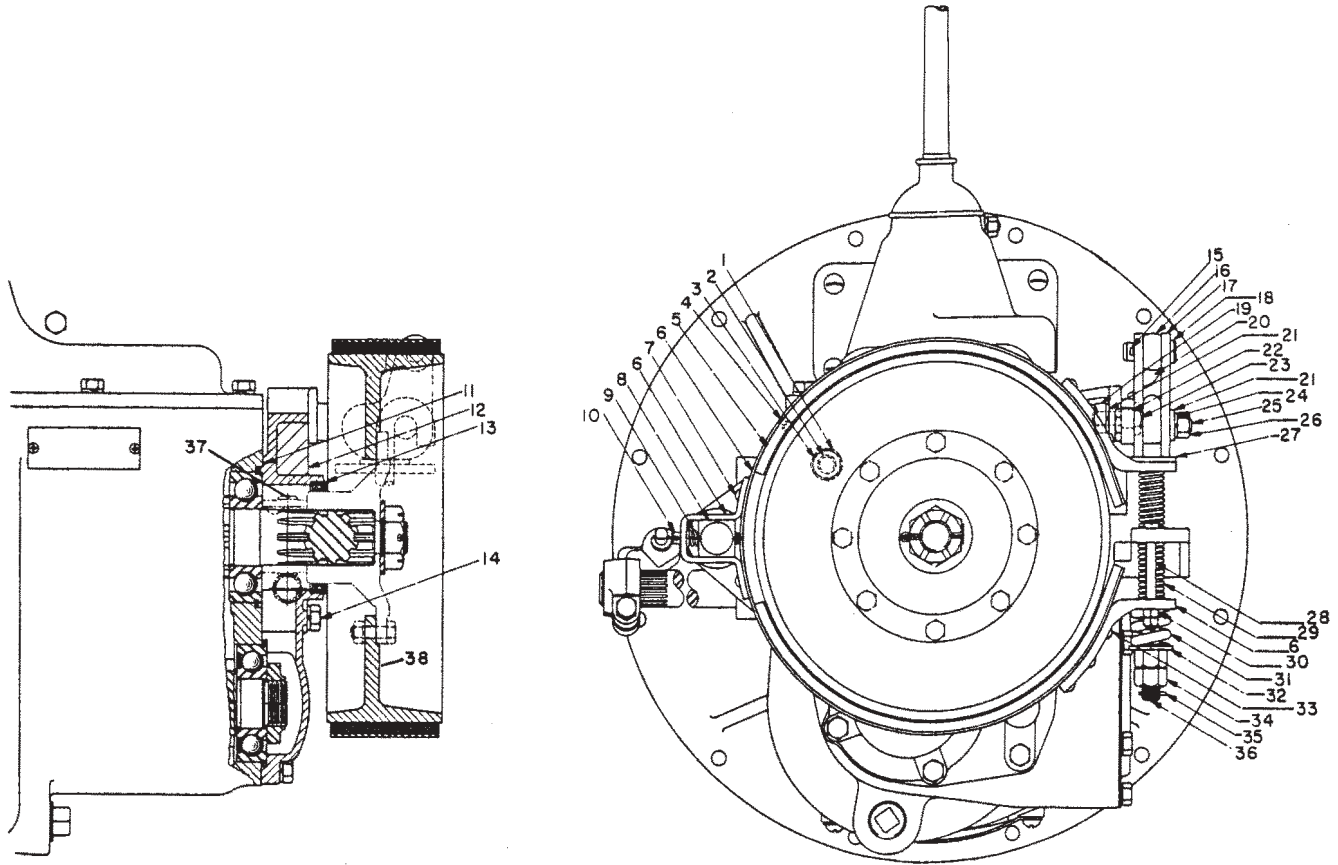
REF.	PART NO.	QTY.	DESCRIPTION	REF.	PART NO.	QTY.	DESCRIPTION
1	3110017	1	GEAR CASE AND COVER ASM	23	3110000	1	OFFSET TRANSMISSION (INCLUDES ITEMS 1 THRU 22)
2	3100304	1	BREATHER				
3	0219199	2	PIPE PLUG 1/2 NPT				
4	3110006	1	GASKET				
5	3110003	3	BEARING				
6	3110010	2	SMALL GEAR				
7	3110005	1	LARGE GEAR				
8	3110002	2	DRIVE SHAFT				
9	3170059	2	KEY 3/8 SQ X 1 3/4				
10	3110004	6	KEY 1/2 SQ X 1 5/8				
11	3110009	1	IDLER SHAFT				
12	3110013	3	BEARING				
13	3110609	2	SEAL				
14	3110016	1	O-RING				
15	3110020	1	PLUG				
16	6000439	1	SNAP RING				
17	3100622	20	SPL HEX BOLT 3/8 NC X 1				
18	3110066	2	HEX NUT 1-20 USF				
19	0428634	4	HEX BOLT 5/8 NC X 2 1/4				
20	0121574	4	LOCK WASHER 5/8				
21	0220085	4	HEX NUT 5/8 NC				
22	3110608	2	WASHER				

Parking Brake - Clark
S/N 228 thru K-3451, K-3455, K-3456, K-3458, K-3459, K-3462



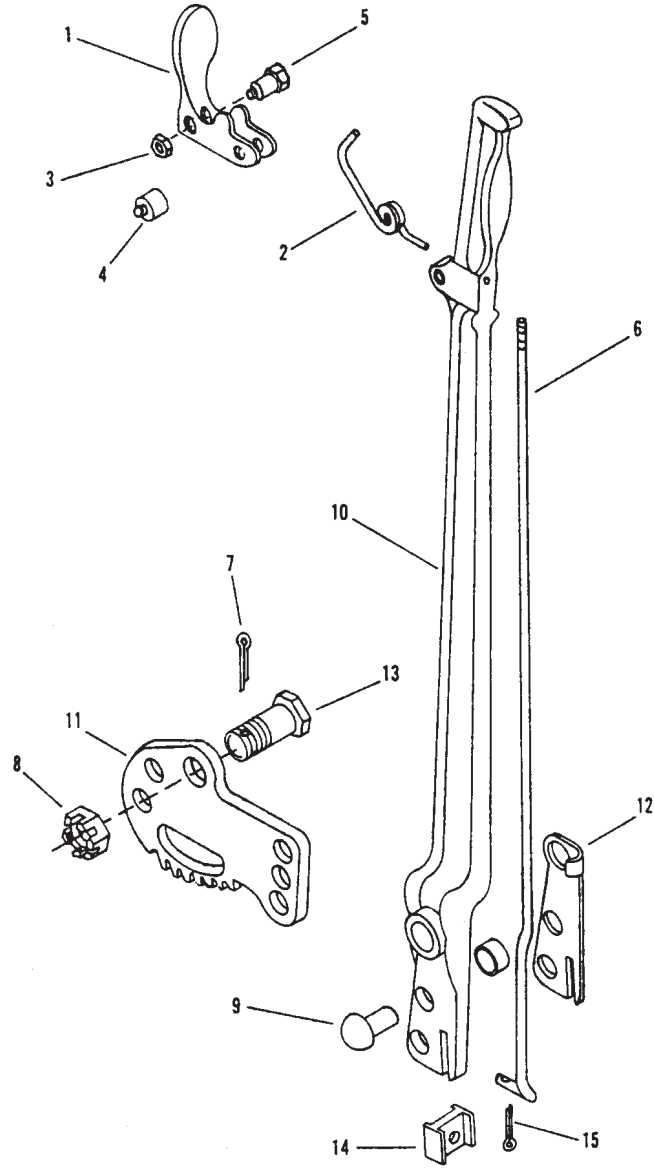
REF.	PART NO.	QTY.	DESCRIPTION	REF.	PART NO.	QTY.	DESCRIPTION
1	7800169	2	Spacer Link Clevis Pin Cotter	N.I.	7800188	2	Brake Band Locating Screw Nut
2	7800170	2	Draw Rod Clevis Pin Cotter	22	7800189	8	Brake Drum Bolt
3	7800171	2	Spacer Link	23	7800090	8	Brake Drum Nut
4	7800172	2	Cam Lever	24	7800091	8	Brake Drum Nut Lockwasher
5	7800173	1	Adjusting End	24A	7800190	8	Brake Drum Nut Washer
6	3150362	1	Handbrake Linkage	25	7800191	1	Band Locating Screw
7	7800174	1	Draw Rod Clevis Pin	26	7800192	1	Compression Spring
8	7800175	1	Adjusting Bolt	27	7800193	1	Compression Spring Washer
9	7800141	1	Lockwire	28	7800194	2	Adjusting Bolt Nut
10	7800176	1	Lock Screw	29	7800195	1	Adjusting Bolt Nut Lockwasher
11	7800177	1	Anchor Bar	30	7800196	1	Locating Bracket
12	7800178	2	Clevis Pin	31	7800020	6	Lockwasher
13	7800179	1	Cam Lever Shoe	32	7800021	3	Nut
14	7800180	2	Release Spring	33	7800188	2	Adjusting Screw Locknut
16	7800181	1	Drum Nut	N.I.	7800197	2	Brake Bracket Screw
17	7800182	1	Companion Flange	N.I.	7800198	1	Brake Hole Plug
18	7800183	1	Anchor Clip Spring	N.I.	7800199	3	Brake Support Stud
19	7800184	1	Brake Band & Lining Assy. - Following				
			Two Items Are Serviceable				
20	7800185	1	Lining				
N.I.	7800186	26	Lining Rivets				N.I. - Not Illustrated
21	7800187	1	Brake Drum				

**Parking Brake - Fuller
S/N 063 thru 227**



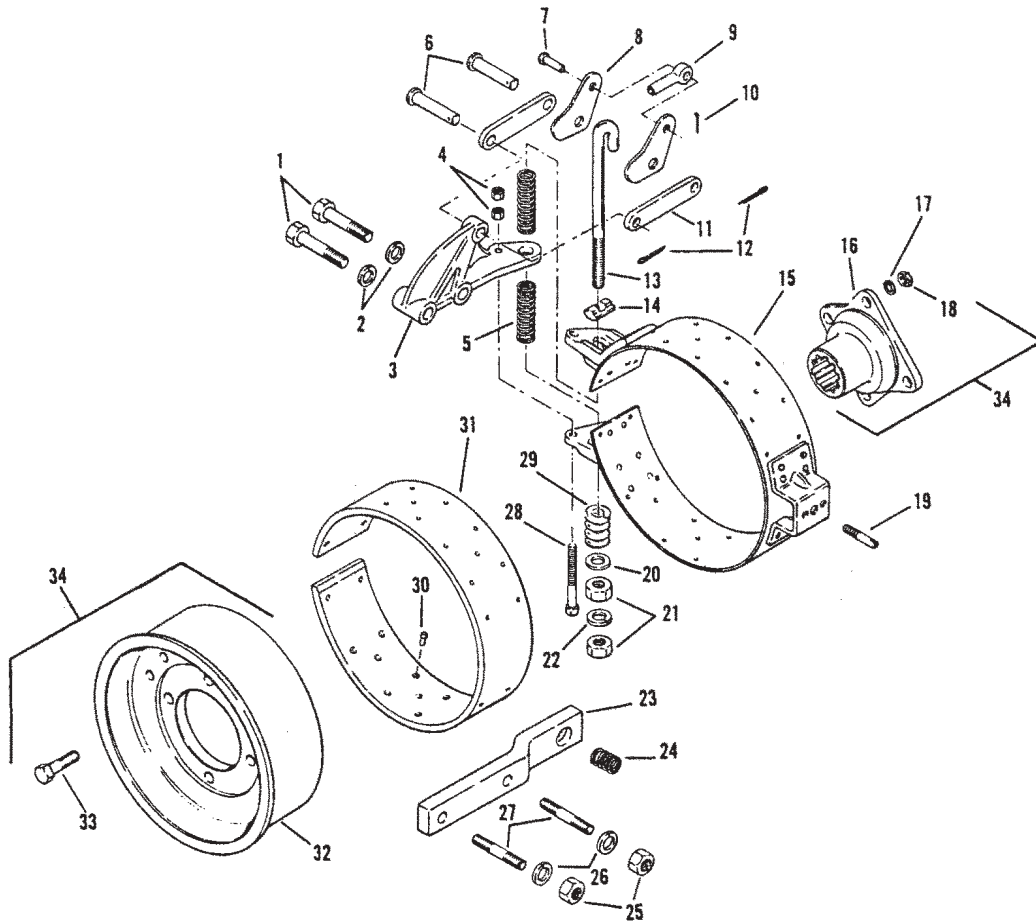
REF.	PART NO.	QTY.	DESCRIPTION	REF.	PART NO.	QTY.	DESCRIPTION
1	0120390	1	½" Steel Flat Washer	21	0120382	1	Lockwasher - 3/8"
2	3110188	1	Stud - Brake Bracket	22	3110206	1	Link - Brake Spacer
3	0120371	1	Hex Nut - ½" N.F.	23	3110207	1	Screw - Link Shoulder
4	3110189	26	Rivet - Brake Lining	24	3110208	1	Washer - Retaining Bolt
5	3110190	2	Lining - Brake	25	3110209	1	Shaft - Cam Swivel
6	3110191	1	Band - Brake Assy.	26	0120369	1	Hex Nut - 3/8" N.F.
8	3110194	1	Stud - Brake Band Support	27	3110210	1	Washer - Cam Bearing
9	3110195	1	Spring - Brake Band Anchor	28	0133078	1	Rd. Hd. M.S. - ¼" N.C. x 2-¾"
10	3110196	1	Screw - Anchor Clip Adj.	29	3110211	1	Spring - Brake Release
11	3110198	1	Gasket - Rear Brg. Cover	30	0120375	2	Hex Nut - ¼" N.C.
12	3110199	1	Rear Cover & Bracket	31	3110213	1	Spring - Adj. Bolt
13	3110200	1	Oil Seal	32	0120384	1	Lockwasher - ½"
14	0122181	1	Hex Bolt - 3/8" N.C. x 2"	34	0120378	2	Hex Nut - ½" N.C.
15	0103384	1	Cotter Pin - 1/8" x ¾"	35	0103373	1	Cotter Pin - 3/32" x ¾"
16	3110201	1	End - Brake Rod	36	3110214	1	Bolt - Brake Adj.
17	3110202	1	Lever - Brake Cam	37	3110237	1	Sleeve
18	3110203	1	Pin - Brake Rod End	38	3110452	1	Drum
19	0120378	1	Hex Nut - ½" N.C.				
20	3110204	1	Rod - Brake				

Handbrake Assembly - Clarke S/N 228 & Up



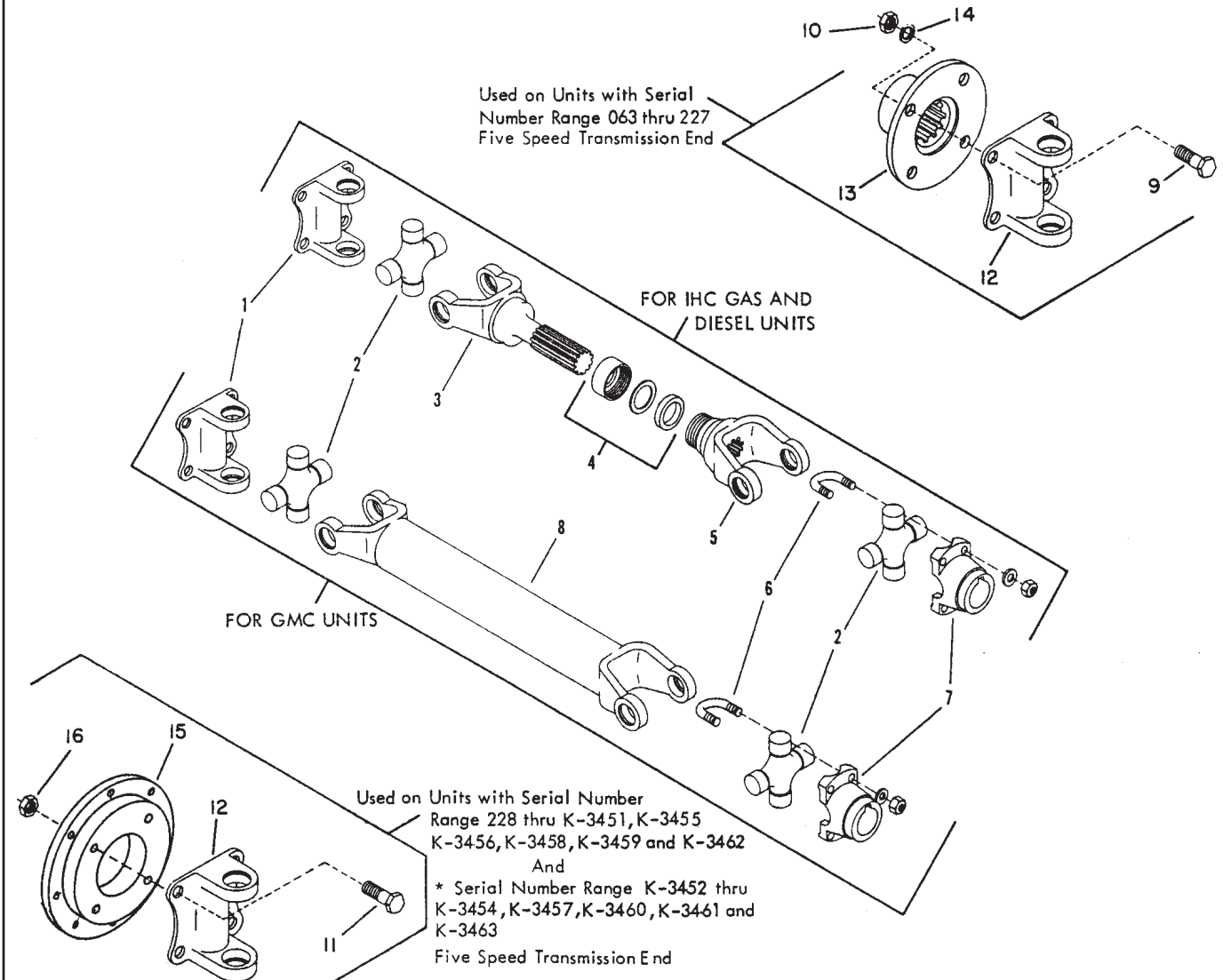
REF.	PART NO.	QTY.	DESCRIPTION	REF.	PART NO.	QTY.	DESCRIPTION
	7800200		Hand Brake Lever Assy.	10	7800208	1	Handle
1	7800201	1	Latch Spoon	11	7800209	1	Sector
2	7800202	1	Latch Spoon Spring	12	7800210	1	Side Plate
3	7800203	1	Latch Spoon Screw Nut	13	7800211	1	Lever Pivot Screw
4	7800204	1	Latch Rod End	14	7800212	1	Latch
5	7800205	1	Latch Spoon Screw	15	7800170	1	Latch Rod Cotter
6	7800213	1	Latch Rod				
7	7800170	1	Pivot Screw Nut Cotter				
8	7800206	1	Lever Pivot Screw Nut				
9	7800207	1	Side Plate Rivet				

Parking Brake - Clark
S/N - K-3452, K-3453, K-3454, K-3457, K-3460, K-3461, K3463 & Up



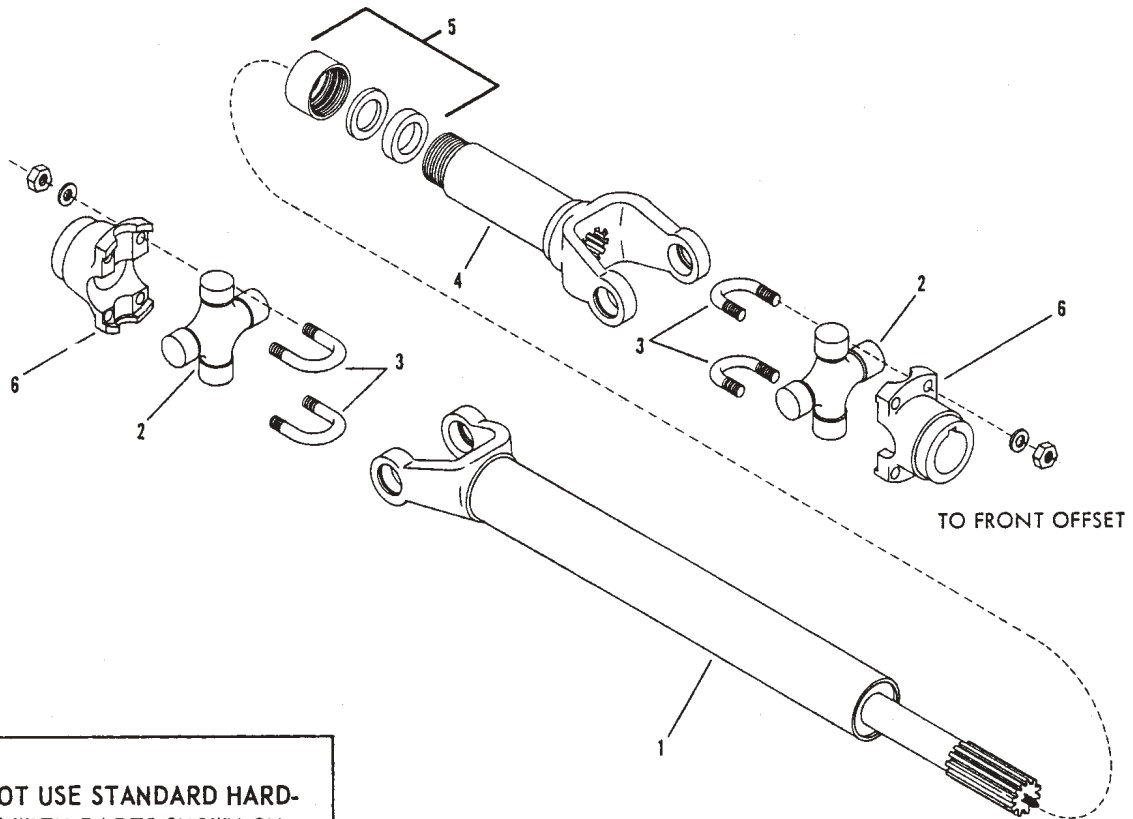
REF.	PART NO.	QTY.	DESCRIPTION	REF.	PART NO.	QTY.	DESCRIPTION
1	7800197	2	Brake Support Capscrew	20	7800193	1	Brake Compression Spring Washer
2	7800020	2	Lockwasher	21	7800194	2	Brake Adjusting Bolt
3	7800378	1	Brake Locating Bracket	22	7800392	1	Brake Adjusting Bolt Nut Lockwasher
4	7800188	2	Brake Band Locating Screw Nut	23	7800377	1	Brake Anchor Support Bar
5	7800180	2	Brake Release Spring	24	7800183	1	Brake Anchor Clip Spring
6	7800178	2	Brake Spacer Link Clevis Pin	25	7800021	2	Brake Support Stud Nut
7	7800174	1	Adj. End Clevis Pin	26	7800020	2	Brake Support Stud Nut Lockwasher
8	7800389	2	Brake Cam Lever	27	7800018	2	Brake Support Stud
9	7800173	1	Brake Adj. End.	28	7800191	1	Brake Band Locating Screw
10	7800170	1	Adj. End Cotter Pin	29	7800192	1	Brake Compression Spring
11	7800171	2	Brake Spacer Link	30	7800186	26	Brake Band Facing Rivet
12	7800169	2	Space Link Clevis Pin Cotter	31	7800185	1	Brake Band Facing
13	7800175	1	Adjusting Bolt	32	7800376	1	Brake Drum
14	7800179	1	Brake Cam Lever Shoe	33	7800382	4	Brake Drum to Flange Bolt
15	7800184	1	Brake Band and Facing ASM-Inc. Inc. Items 30 and 31	34	7800379	1	Drum and Flange ASM - Incl. Items 16, 17, 18 and 33
16	7800313	1	Companion Flange				
17	7800306	4	Companion Flange to Brake Drum Lockwasher				
18	7800305	4	Companion Flange to Brake Drum Nut				
19	7800176	1	Anchor Flip Screw				

Drive Line - Five Speed Transmission To Offset Transmission



REF.	PART NO.	QTY.	DESCRIPTION	REF.	PART NO.	QTY.	DESCRIPTION
1	6440118	1	FLANGE YOKE				
2	3110058	2	JOURNAL AND BEARING KIT ASM				
3	3110115	1	YOKE SHAFT				
4	3110445	1	DUST CAP GROUP				
5	3110114	1	SLEEVE YOKE				
6	3110060	2	U-BOLT ASM (INCL NUTS AND BOLTS)				
7	3110053	1	END YOKE				
8	3190045	1	DRIVE LINE ASM				
9	3100476	4	HEX BOLT 7/16 NF X 1 1/2				
10	3110065	4	LOCK NUT 7/16 NF				
11	3110063	4	HEX BOLT 7/16 NF X 1 3/16				
11*			NOT REQUIRED				
12	3110062	1	FLANGE YOKE				
12*	6410038	1	FLANGE YOKE				
13	3110057	1	COMPANION FLANGE				
14	3110442	4	LOCK WASHER 7/16				
15	3110541	1	ADAPTOR				
15*			NOT REQUIRED				
16	9418776	4	LOCK NUT 7/16 NF				
16*			NOT REQUIRED				

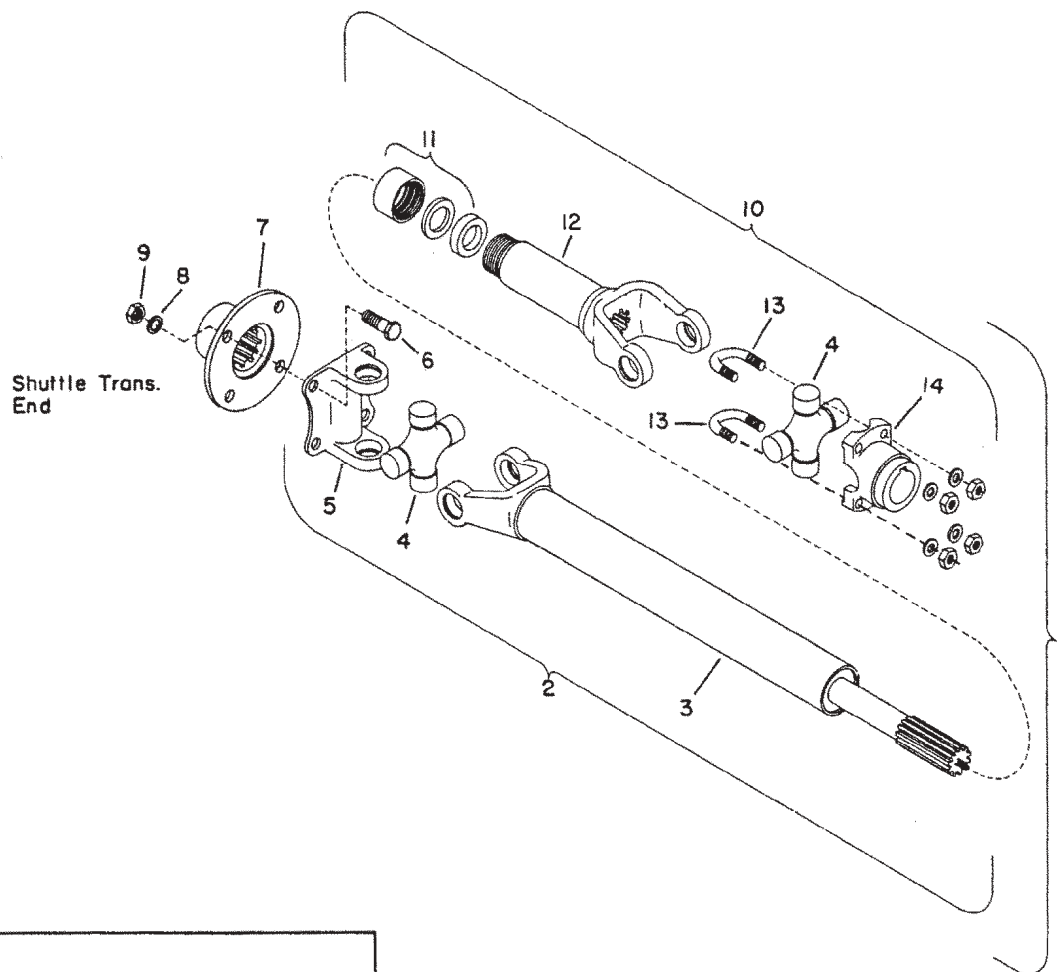
Drive Line - Offset Transmission To Offset Transmission



DO NOT USE STANDARD HARDWARE WITH PARTS SHOWN ON THIS INSTALLATION

REF.	PART NO.	QTY.	DESCRIPTION	REF.	PART NO.	QTY.	DESCRIPTION
1	3110098	1	TUBE ASM				
2	3110058	2	JRNL AND BRG ASM				
3	3110060	4	U-BOLT ASM				
4	3110067	1	SLEEVE YOKE				
5	3110445	1	DUST CAP GROUP				
6	3110053	2	END YOKE				
7	7820012	1	DRIVE LINE ASM (ITEMS 1-6)				

Drive Line - Offset Transmission to Shuttle Transmission - S/N 063 thru 227



DO NOT USE STANDARD HARDWARE WITH PARTS SHOWN ON THIS INSTALLATION

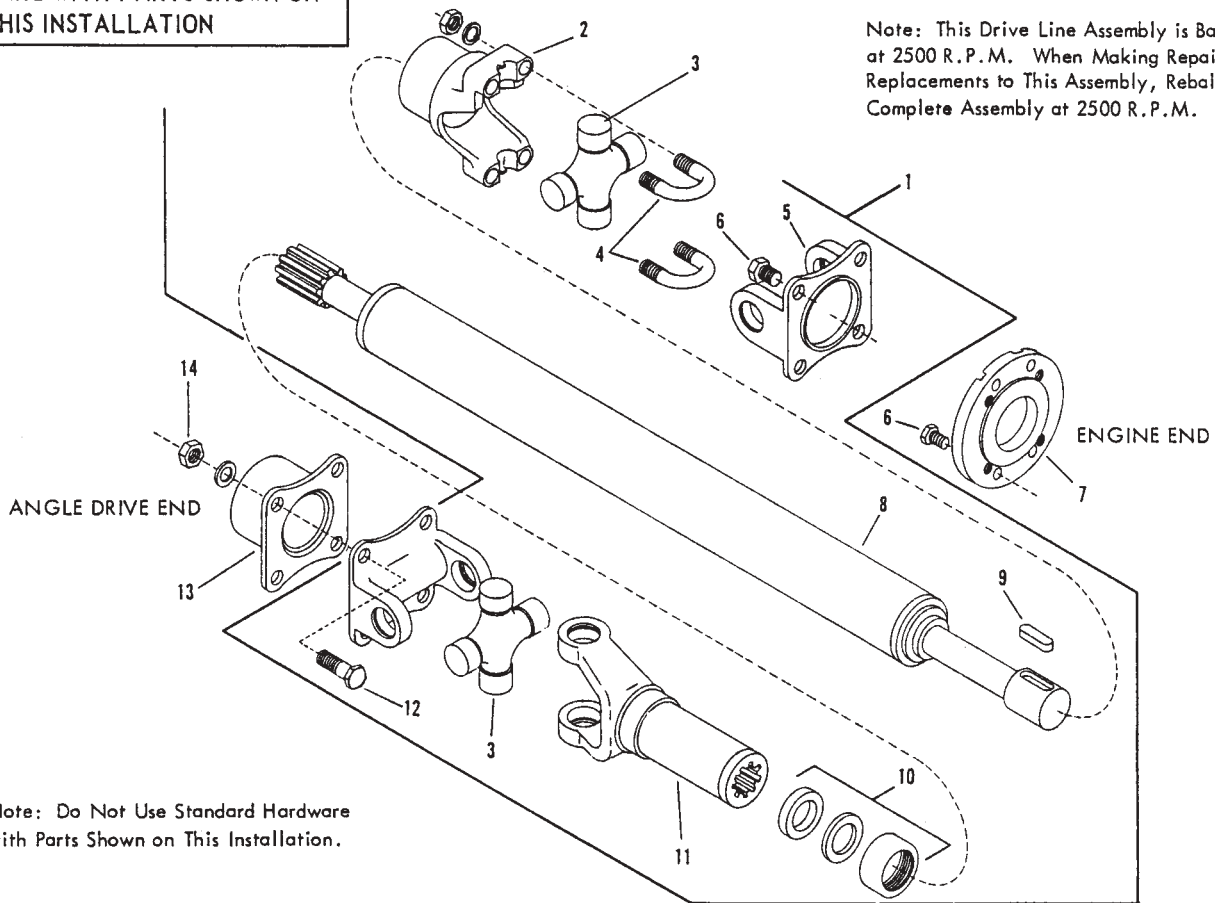
REF.	PART NO.	QTY.	DESCRIPTION	REF.	PART NO.	QTY.	DESCRIPTION
1	3110506	1	Drive Line Assy. -(complete)	13	3110060*	2	"U"-Bolt Assy. -(includes nuts)
2	3110507	1	Joint Tube Group	14	3110053	1	End Yoke
3	3110098	1	Tube Assy. -(complete)				
4	3110058*	2	Jrn. & Brg. Kit Assy.				
5	3110062	1	Flange Yoke				
6	3110063	4	Hex Bolt - 7/16" N.F. x 1-1/2" (special)				
7	3110057	1	Companion Flange				
8	3110442	4	Lockwasher - 7/16" (special)				
9	3110065	4	Hex Nut - 7/16" N.F. (special)				
10	3110508	1	Sleeve Yoke Joint Group				
11	3110445*	1	Dust Cap Group				
12	3110509	1	Sleeve Yoke				

*Serviced Only As An Assembly

Drive Line - Engine to Angle Drive IHC Gas and GMC Diesel Engines

DO NOT USE STANDARD HARDWARE WITH PARTS SHOWN ON THIS INSTALLATION

Note: This Drive Line Assembly is Balanced at 2500 R.P.M. When Making Repairs or Replacements to This Assembly, Rebalance the Complete Assembly at 2500 R.P.M.



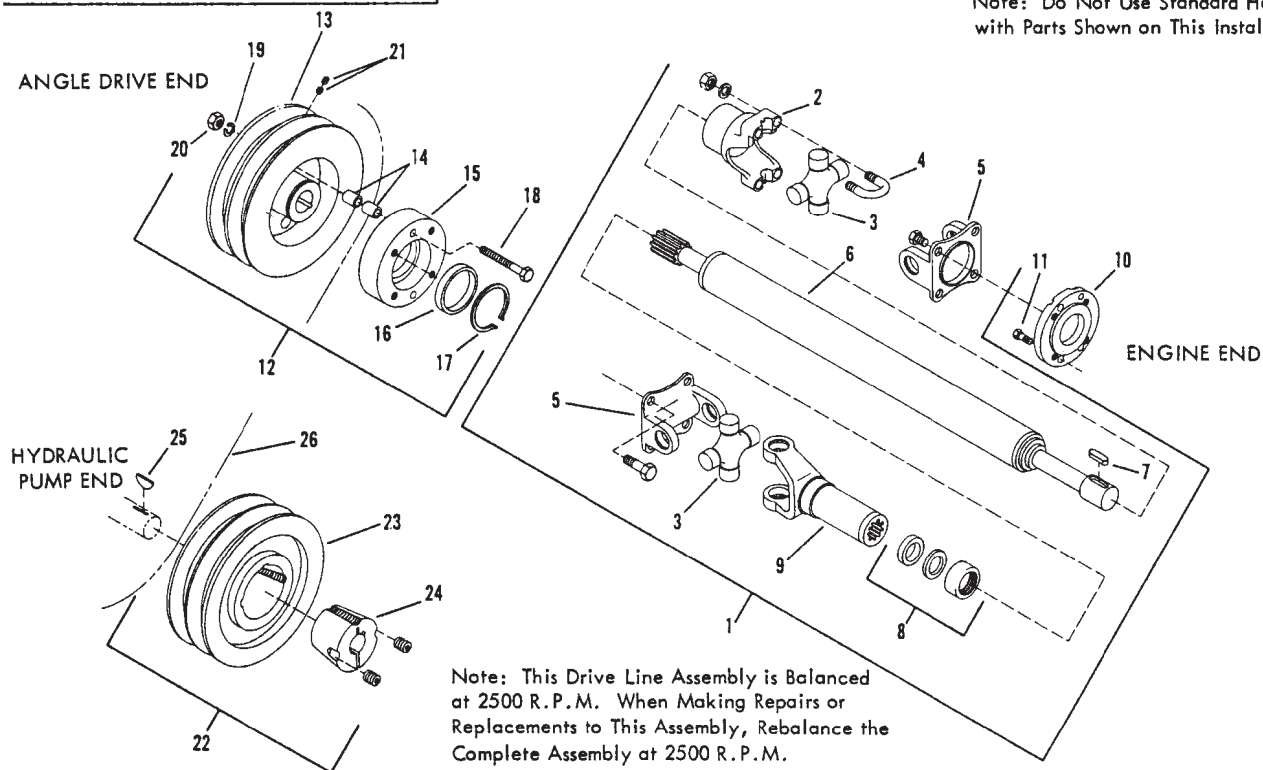
Note: Do Not Use Standard Hardware with Parts Shown on This Installation.

REF.	PART NO.	QTY.	DESCRIPTION	REF.	PART NO.	QTY.	DESCRIPTION
1	3110525	1	PTO DRIVE LINE ASM (REF 2-14)				
2	3170012	1	END YOKE				
3	3170013	2	JOURNAL AND BEARING KIT ASM				
4	3170017	2	U-BOLT ASM (INCLUDING NUTS AND BOLTS)				
5	3170021	2	FLANGE YOKE				
6	0*54904	8	SPEC HEX BOLT 3/8 NC X 3/4				
7	3170001	1	ENGINE ADAPTOR				
8	3110526	1	PTO SHAFT ASSEMBLY				
9	3110033	1	KEY 3/8 SQ X 1 1/4 RD ENDS				
10	3110035	1	DUST CAP GROUP				
11	3110034	1	SLEEVE YOKE ASSEMBLY				
	0126129	1	LUBE FITTING 1/4 NF X 180 DEG				
12	3170129	4	SPEC HEX BOLT 3/8 NF X 1				
13	3170126	1	COMPANION FLANGE				
14	3170130	4	SPEC HEX NUT 3/8 NF				

Drive Line - Engine to Angle Drive IHC Diesel Engines

DO NOT USE STANDARD HARDWARE WITH PARTS SHOWN ON THIS INSTALLATION

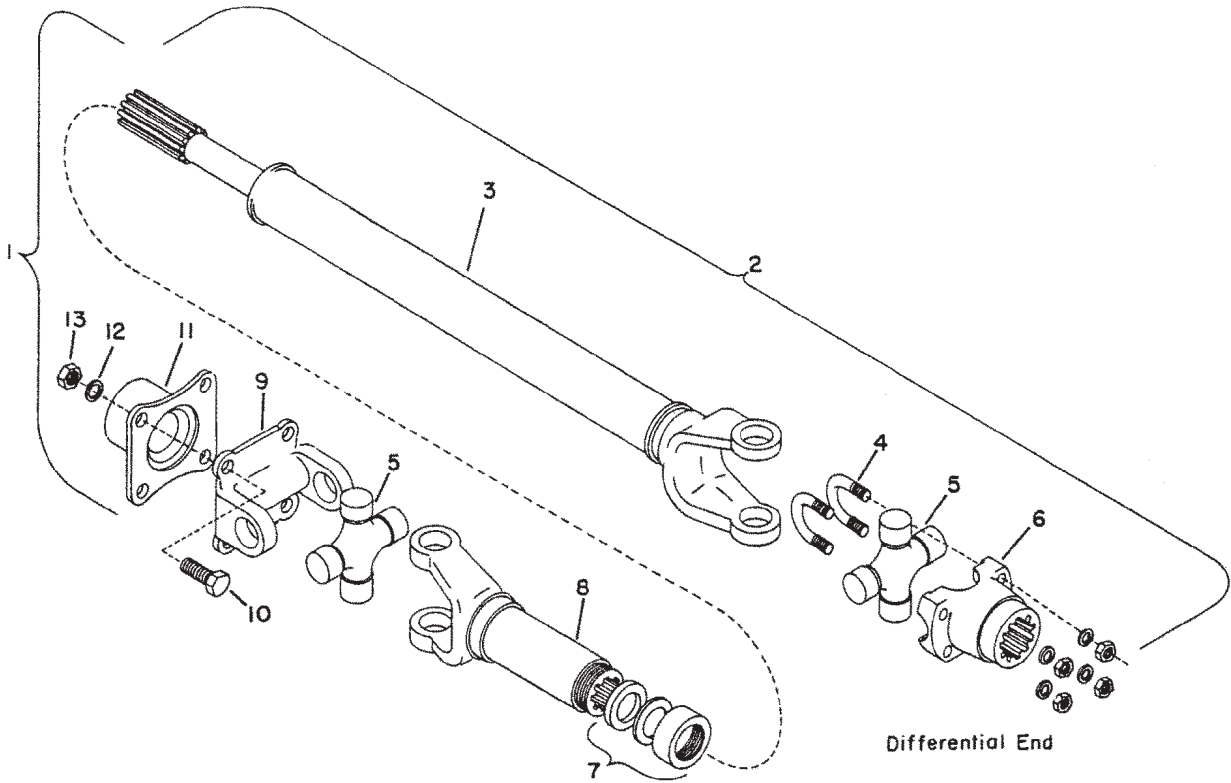
Note: Do Not Use Standard Hardware with Parts Shown on This Installation.



REF.	PART NO.	QTY.	DESCRIPTION	REF.	PART NO.	QTY.	DESCRIPTION
1	3190244	1	DRIVE LINE ASM	23	3100303	1	SHEAVE
2	3170012	1	END YOKE	24	3100323	1	TAPER LOCK BUSHING WITH SET SCREWS
	6100035	1	SET SCREW 3/8 NC X 3/8 NS	25	0106751	1	WOODRUFF KEY
3	3170013	2	JOURNAL AND BEARING KIT ASM	26	3180061	1	BELT SET
4	3170017	2	U-BOLT ASM				
5	3170021	2	FLANGE YOKE				
6	7820044	1	SHAFT ASM				
7	3110033	1	KEY 3/8 SQ X 1 1/4 RD ENDS				
8	3110035	1	DUST CAP ASM				
9	3110034	1	SLEEVE YOKE ASM				
	0126129	1	LUBE FITTING 1/4 NF X 180 DEG NS				
10	3170001	1	ENGINE ADAPTOR				
11	0454904	8	SPCL HEX BOLT 3/8 NC X 3/4				
12	3170050	1	SHEAR SHEAVE ASM				
13	3170051	1	SHEAVE				
14	3170052	4	SHEAR BUSHING				
15	3170080	1	SHEAR PLATE				
16	3170081	1	RETAINING RING				
17	6000443	1	SNAP RING				
18	0121954	2	HEX CAP SCREW 1/4-20 X 2				
19	0120380	2	LOCK WASHER 1/4				
20	0120375	2	HEX NUT 1/4-20				
21	6100034	4	SKT HD SETSCREW 5/16 NC X 5/16				
22	3100538	1	SHEAVE AND BUSHING ASM				

NS=NUT SHOWN

Drive Line - Offset Transmission to Differential - S/N 063 thru 227

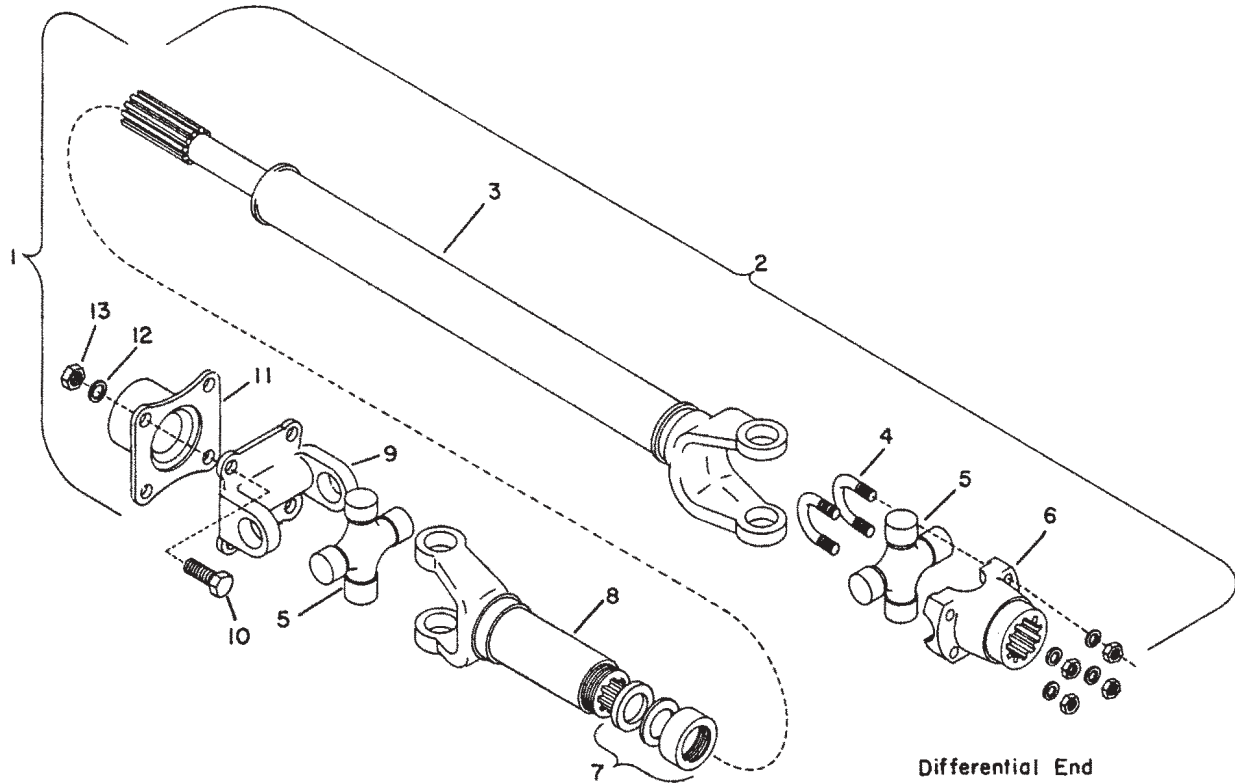


DO NOT USE STANDARD HARDWARE WITH PARTS SHOWN ON THIS INSTALLATION

REF.	PART NO.	QTY.	DESCRIPTION	REF.	PART NO.	QTY.	DESCRIPTION
1	3110498	1	Drive Line Assy. -(complete	11	3110070	1	Companion Flange
2	3110499	1	Drive Shaft Assy.	12	3110444	4	Lockwasher - 1/2" - Special
3	3110100	1	Tube & Shaft Assy.	13	3110072	4	Hex Nut - 1/2" N.F. - Special
4	3110075*	2	"U"-Bolt Assy. -(includes nuts & washers)				
5	3110073*	2	Jrnl. & Brg. Kit Assy.				
6	3110500	1	End Yoke				
7	3170058*	1	Dust Cap Group				
8	3110067	1	Sleeve Yoke				
9	3110076	1	Flange Yoke				
10	3110071	4	Bolt - 1/2" N.F. x 1-3/8" - Special				

*Serviced Only As An Assembly

Drive Line - Offset Transmission to Differential - S/N 228 & Up

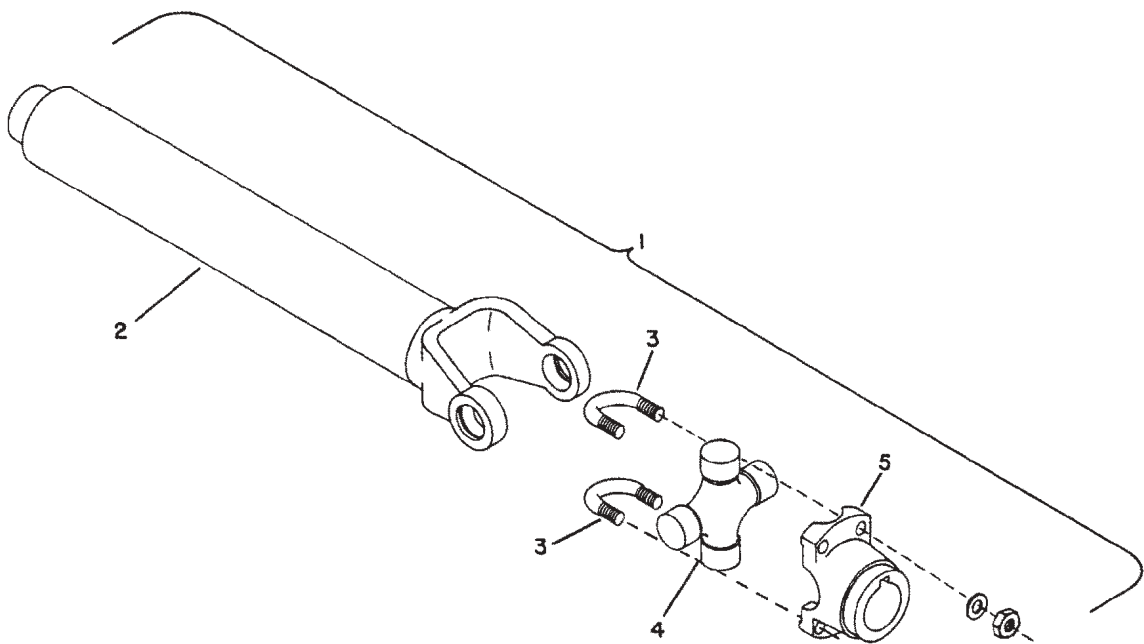


DO NOT USE STANDARD HARDWARE WITH PARTS SHOWN ON THIS INSTALLATION

REF.	PART NO.	QTY.	DESCRIPTION	REF.	PART NO.	QTY.	DESCRIPTION
1	7820014	1	Drive Line Assy. - (complete)	11	3110070	1	Companion Flange
2	7820015	1	Drive Shaft Assy.	12	3110444	4	Lockwasher - 1/2" Special
3	3110546	1	Tube & Shaft Assy.	13	3110072	4	Hex Nut - 1/2" N.F. Special
4	3110075*	2	"U"-Bolt Assy. - (includes nuts & washers)				
5	3110073*	2	Jrn. & Brg. Kit Assy.				
6	3110500	1	End Yoke				
7	3170058*	1	Dust Cap Group				
8	3110067	1	Sleeve Yoke				
9	3110076	1	Flange Yoke				
10	3110071	4	Hex Bolt - 1/2" N.F. x 1-3/8" - Special				

*Serviced Only As An Assembly

**Drive Line - Chain Drive to Hopper Drive
S/N 063 & Up**

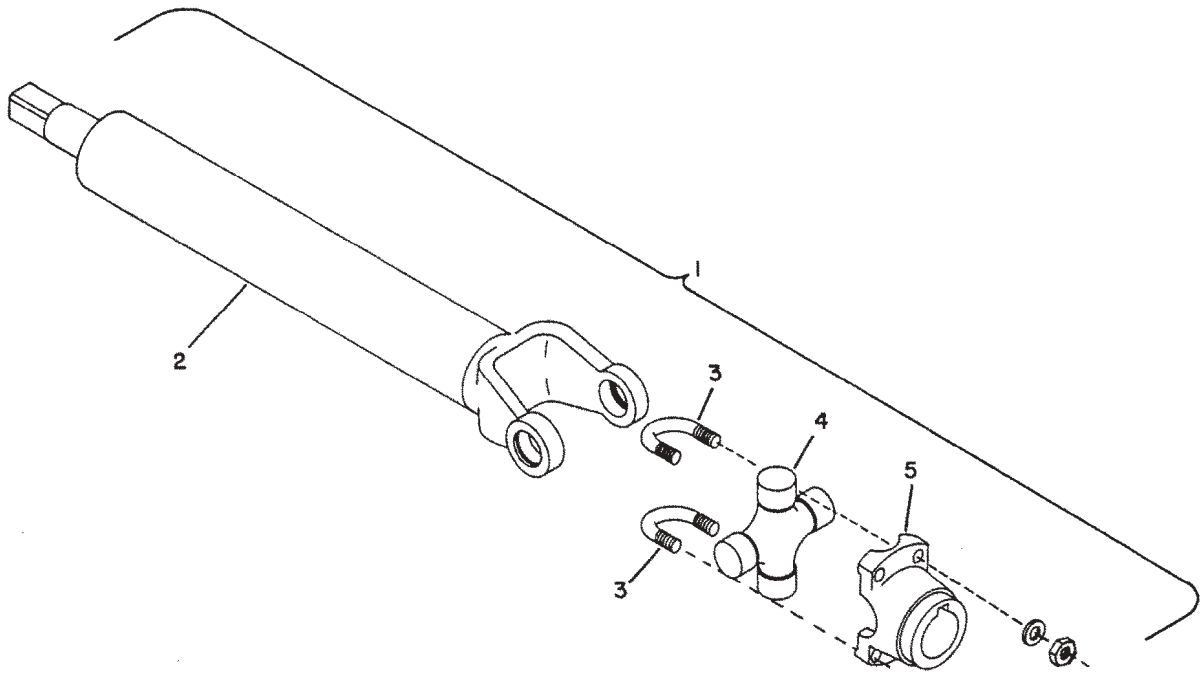


DO NOT USE STANDARD HARDWARE WITH PARTS SHOWN ON THIS INSTALLATION

REF.	PART NO.	QTY.	DESCRIPTION	REF.	PART NO.	QTY.	DESCRIPTION
1	3110051	1	Drive Line - Complete	5	3110061	1	End Yoke
2	3110103	1	Center Assy.				
3	3110060*		U-Bolt Assy. -(includes nuts & washers)				
4	3110058*	1	Journal & Brg. Kit				

*Serviced Only As An Assembly

Drive Line - Hopper drive To Chain Drive (S/N 063 thru)

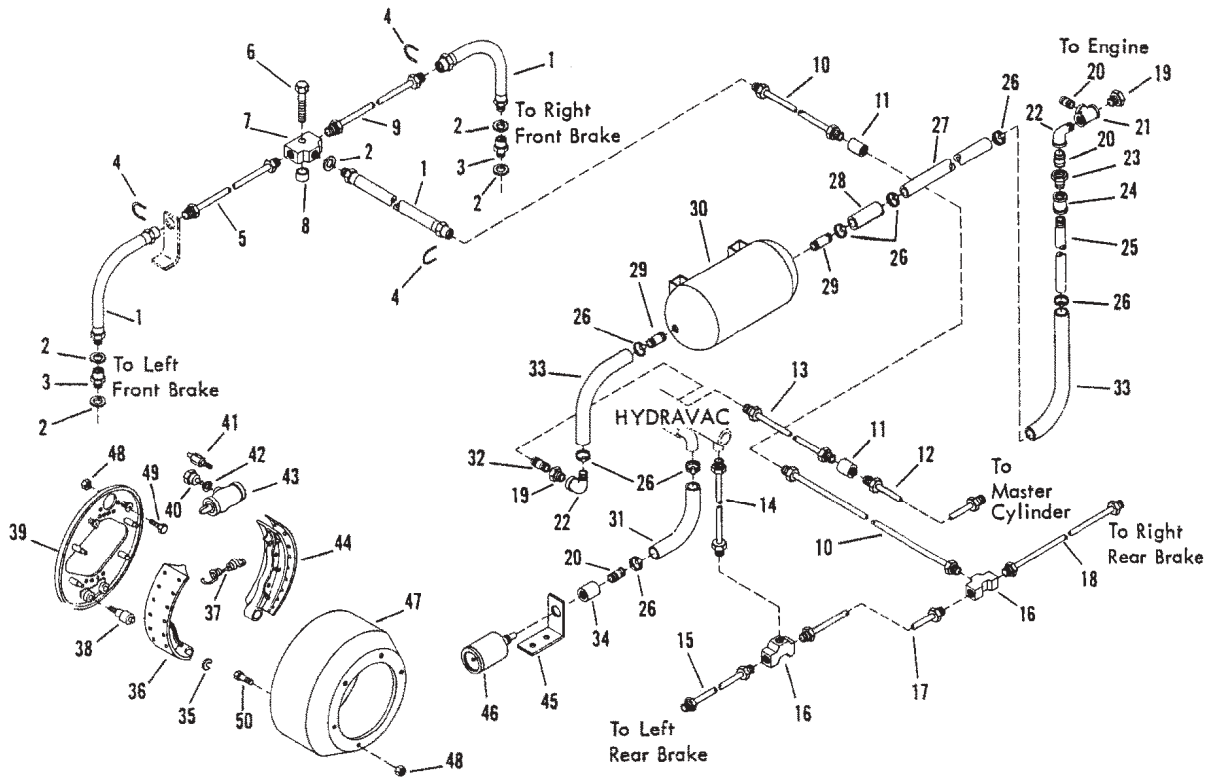


DO NOT USE STANDARD HARDWARE WITH PARTS SHOWN ON THIS INSTALLATION

REF.	PART NO.	QTY.	DESCRIPTION	REF.	PART NO.	QTY.	DESCRIPTION
1	3140122	1	Drive Line - Complete				
2	3110105	1	Center Assy.				
3	3110060*	2	U-Bolt Assy. --(includes nuts & washers)				
4	3110058*	1	Journal & Bearing Kit				
5	3110061	1	End Yoke				

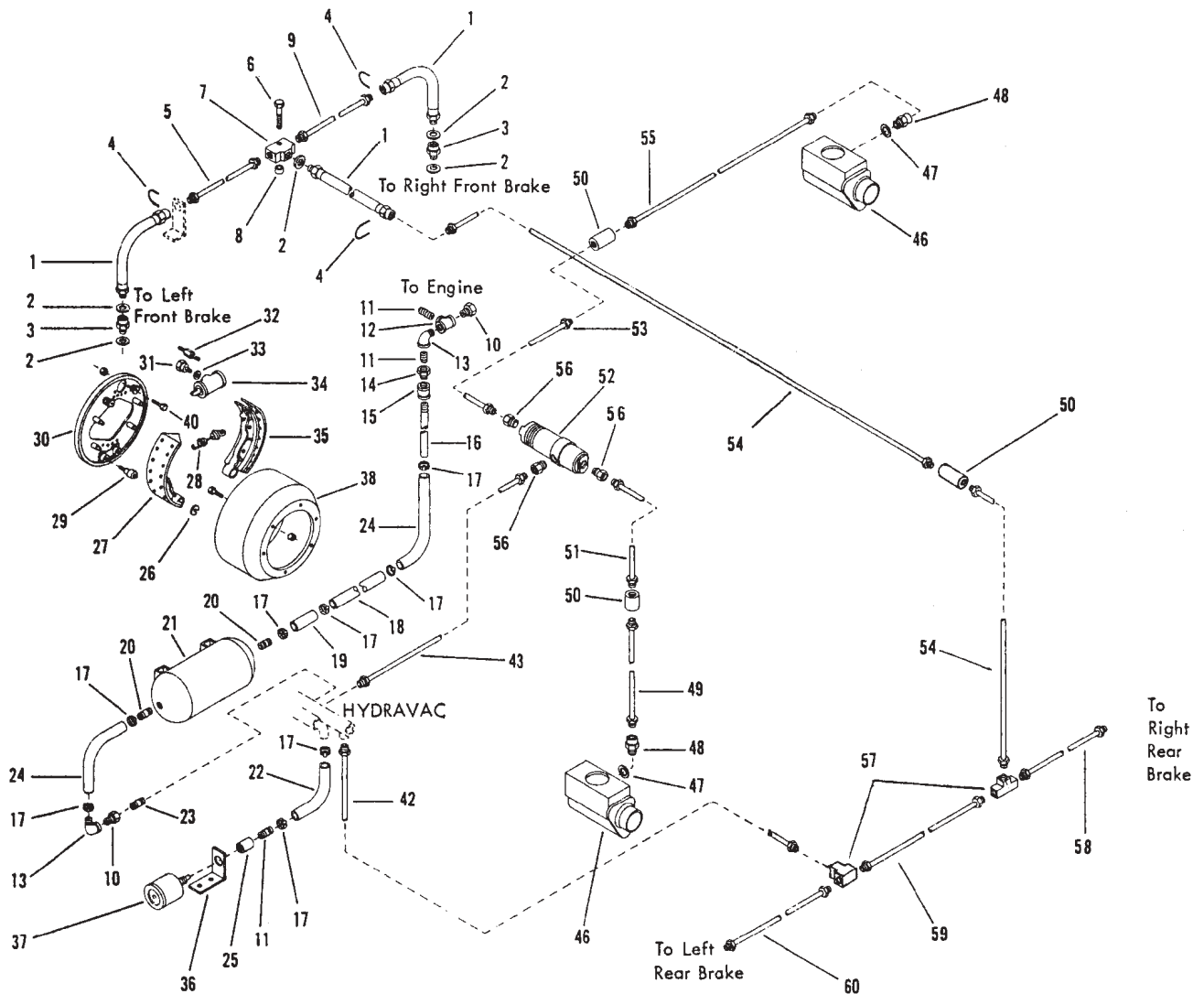
*Serviced Only As An Assembly

Hydraulic Brake Lines - Left Hand Drive



REF.	PART NO.	QTY.	DESCRIPTION	REF.	PART NO.	QTY.	DESCRIPTION
1	3180245	3	HOSE 12 IN	34	0140813	1	COUPLING 1/2
2	3110139	5	COPPER WASHER	35	3100426	4	WASHER
3	3100437	2	CONNECTOR	36	3100427	2	SHOE WITH LINING=FORWARD
4	6600352	3	LOCK	37	3100428	2	SHOE WITH LINING=REVERSE
5	3180248	1	LINE ASM	38	3100429	2	SPRING
6	0122168	1	HEX BOLT 3/8 NC X 1 3/4	39	3100430	2	PIN
7	3110514	1	BRASS TEE 1 3/4		3100431	2	NUT
8	3150367	1	SPACER		0131046	4	LOCK WASHER 3/4
9	3180247	1	LINE ASM	39	3100432	4	PLATE
10	3180244	2	LINE ASM		3100433	16	WASHER 13/16 X 17/64
11	3180039	2	BRASS COUPLING 1/4		3100434	16	WASHER 7/8 X 9/32
12	3180260	1	LINE ASM		3100435	8	SHOE LOCK WASHER
13	3180258	1	LINE ASM		3100602	10	HEX BOLT 1/2 NF X 1 1/2 GR 8
14	3180256	1	LINE ASM	40	3100437	8	CONNECTOR
15	3180254	1	LINE ASM	41	3100438	2	SCREW
		1	LINE ASM	42	3180055	2	GASKET
16	3180038	2	BRASS TEE 1/4	43	3100440	2	CYLINDER
17	3180290	1	LINE ASM		0122126	2	HEX BOLT 3/8 NC X 7/8
18	3180288	1	LINE ASM		0120382	2	LOCK WASHER 3/8
		1	LINE ASM		3100581	2	PUSH ROD
19	0142269	2	REDUCING BUSHING 1/2 TO 3/8	44	3110488	4	BRAKE LINING SET WITH RIVETS
20	0121208	2	CLOSE NIPPLE 1/2		3110489	56	RIVET
21	0138105	1	TEE 1/2	45	3110130	1	BRACKET
22	0108686	2	STREET ELBOW 1/2	46	3180215	1	BREATHER
23	0144034	1	REDUCING BUSHING 3/4 TO 1/2	47	3100441	2	BRAKE DRUM
24	3180051	1	CHECK VALVE	48	3100564	26	HEX NUT 1/2 NF
25	3180009	1	MANIFOLD PIPE	49	0453027	16	CAP SCREW 1/2 NF X 1 1/4
26	3180250	8	CLAMP	50	3100413	10	FRONT DRUM TO HUB BOLT
27	3180274	1	CROSS PIPE				
28	3180047	1	HOSE				
29	0140537	3	NIPPLE 1/2 X 2				
30	3110476	1	VACUUM TANK				
31	3180044	1	HOSE				
32	0121207	1	CLOSE NIPPLE 3/8				
33	3180043	2	HOSE				

Hydraulic Brake Lines - Dual Control - Without Brake Lock

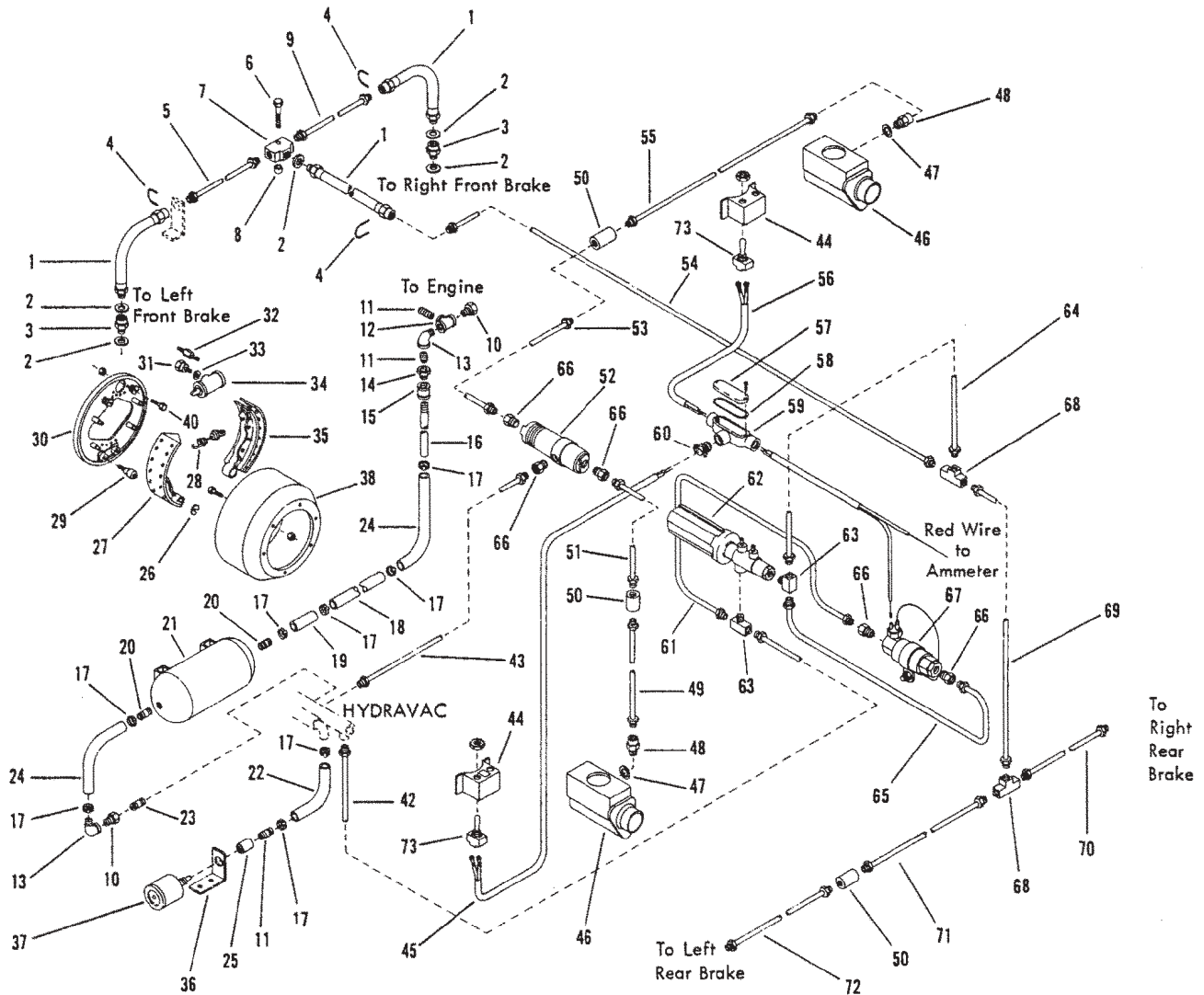


REF.	PART NO.	QTY.	DESCRIPTION	REF.	PART NO.	QTY.	DESCRIPTION
1	3180245	3	HOSE 12 IN	21	3110476	1	VACUUM TANK
2	3110139	5	COPPER WASHER	22	3180044	1	HOSE
3	3100437	2	CONNECTOR	23	0121207	1	CLOSE NIPPLE 3/8
4	6600352	3	LOCK	24	3180043	2	HOSE
5	3180248	1	LINE ASM	25	0140813	1	COUPLING 1/2
6	0122168	1	HEX BOLT 3/8 NC X 1 3/4	26	3100426	4	WASHER
7	3110514	1	BRASS TEE 1 3/4	27	3100427	2	SHOE WITH LINING=FORWARD
8	3150367	1	SPACER	28	3100428	2	SHOE WITH LINING=REVERSE
9	3180247	1	LINE ASM	29	3100430	2	SPRING
10	0142269	2	REDUCING BUSHING 1/2 TO 3/8	30	3100431	2	NUT
11	0121208	2	CLOSE NIPPLE 1/2	31	0131046	4	LOCK WASHER 3/4
12	0138105	1	TEE 1/2	32	3100432	4	PLATE
13	0108686	2	STREET ELBOW 1/2	33	3100433	16	WASHER 13/16 X 17/64
14	0144034	1	REDUCING BUSHING 3/4 TO 1/2	34	3100434	16	WASHER 7/8 X 9/32
15	3180051	1	CHECK VALVE	35	3100435	8	SHOE LOCK WASHER
16	3180009	1	MANIFOLD PIPE	36	3100602	10	HEX BOLT 1/2 NF X 1 1/2 GR 8
17	3180250	8	CLAMP	37	3100437	8	CONNECTOR
18	3180274	1	CROSS PIPE	38	3100438	2	SCREW
19	3180047	1	HOSE	39	3180055	2	GASKET
20	0140537	3	NIPPLE 1/2 X 2				

Hydraulic Brake Lines - Dual Control - Without Brake Lock

REF.	PART NO.	QTY.	DESCRIPTION	REF.	PART NO.	QTY.	DESCRIPTION
34	3100440	2	CYLINDER				
	0122126	2	HEX BOLT 3/8 NC X 7/8				
	0120382	2	LOCK WASHER 3/8				
	3100581	2	PUSH ROD				
35	3110488	4	BRAKE LINING SET WITH RIVETS				
	3110489	56	RIVET				
36	3110130	1	BRACKET				
37	3180215	1	BREATHER				
38	3100441	2	BRAKE DRUM				
39	3100564	26	HEX NUT 1/2 NF				
40	0455027	16	CAP SCREW 1/2 NF X 1 1/4				
41	3100413	10	FRONT DRUM TO HUB BOLT				
42	3180256	1	BRAKE LINE ASM				
43	3190177	1	BRAKE LINE ASM				
46	3180048	2	BRAKE MASTER CYLINDER				
47	3180055	2	BRASS WASHER				
48	3180160	2	BRAKE LINE FITTING				
49	3180260	1	BRAKE LINE ASM				
50	3180039	3	COUPLING 1/4 INCH				
51	3190175	1	BRAKE LINE ASM				
52	6600639	1	SHUTTLE VALVE				
53	3190179	1	BRAKE LINE ASM				
54	3180244	2	BRAKE LINE ASM				
55	3190181	1	BRAKE LINE ASM				
56	0442321	3	ADAPTOR				
57	3180038	2	TEE 1/4 INCH				
58	3180288	1	BRAKE LINE ASM				
59	3180290	1	BRAKE LINE ASM				
60	3180254	1	BRAKE LINE ASM				

Hydraulic Brake Lines - Dual Control - With Brake Lock

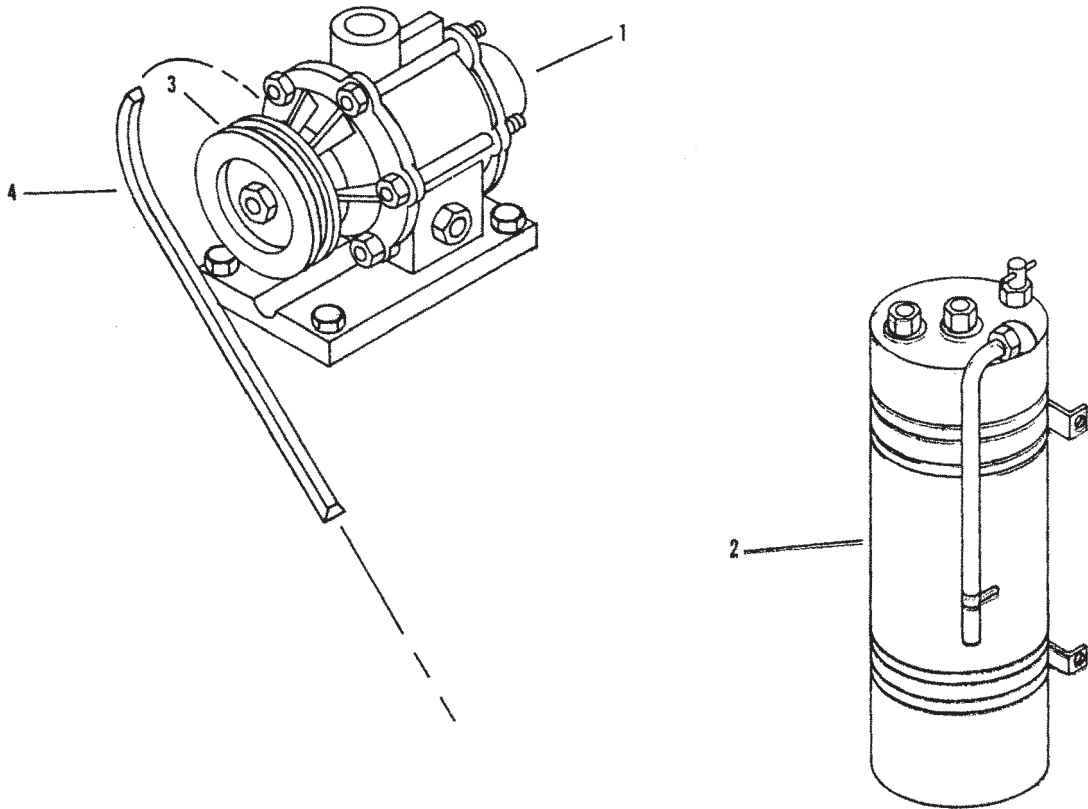


REF.	PART NO.	QTY.	DESCRIPTION	REF.	PART NO.	QTY.	DESCRIPTION
1	3180245	3	HOSE 12 IN	21	3110476	1	VACUUM TANK
2	3110139	5	COPPER WASHER	22	3180044	1	HOSE
3	3100437	2	CONNECTOR	23	0121207	1	CLOSE NIPPLE 3/8
4	6600352	3	LOCK	24	3180043	2	HOSE
5	3180248	1	LINE ASM	25	0140813	1	COUPLING 1/2
6	0122168	1	HEX BOLT 3/8 NC X 1 3/4	26	3100426	4	WASHER
7	3110514	1	BRASS TEE 1 3/4	27	3100427	2	SHOE WITH LINING-FORWARD
8	3150367	1	SPACER	28	3100428	2	SHOE WITH LINING-REVERSE
9	3180247	1	LINE ASM	29	3100429	2	SPRING
10	0142269	2	REDUCING BUSHING 1/2 TO 3/8	30	3100430	2	PIN
11	0121208	2	CLOSE NIPPLE 1/2		3100431	2	NUT
12	0138105	1	TEE 1/2		0131046	4	LOCK WASHER 3/4
13	0108686	2	STREET ELBOW 1/2	31	3100432	4	PLATE
14	0144034	1	REDUCING BUSHING 3/4 TO 1/2		3100433	16	WASHER 13/16 X 17/64
15	3180051	1	CHECK VALVE		3100434	16	WASHER 7/8 X 9/32
16	3180009	1	MANIFOLD PIPE		3100435	8	SHOE LOCK WASHER
17	3180250	8	CLAMP		3100602	10	HEX BOLT 1/2 NF X 1 1/2 GR 8
18	3180274	1	CROSS PIPE	32	3100437	8	CONNECTOR
19	3180047	1	HOSE	33	3100438	2	SCREW
20	0140537	3	NIPPLE 1/2 X 2		3180055	2	GASKET

Hydraulic Brake Lines - Dual Control - With Brake Lock

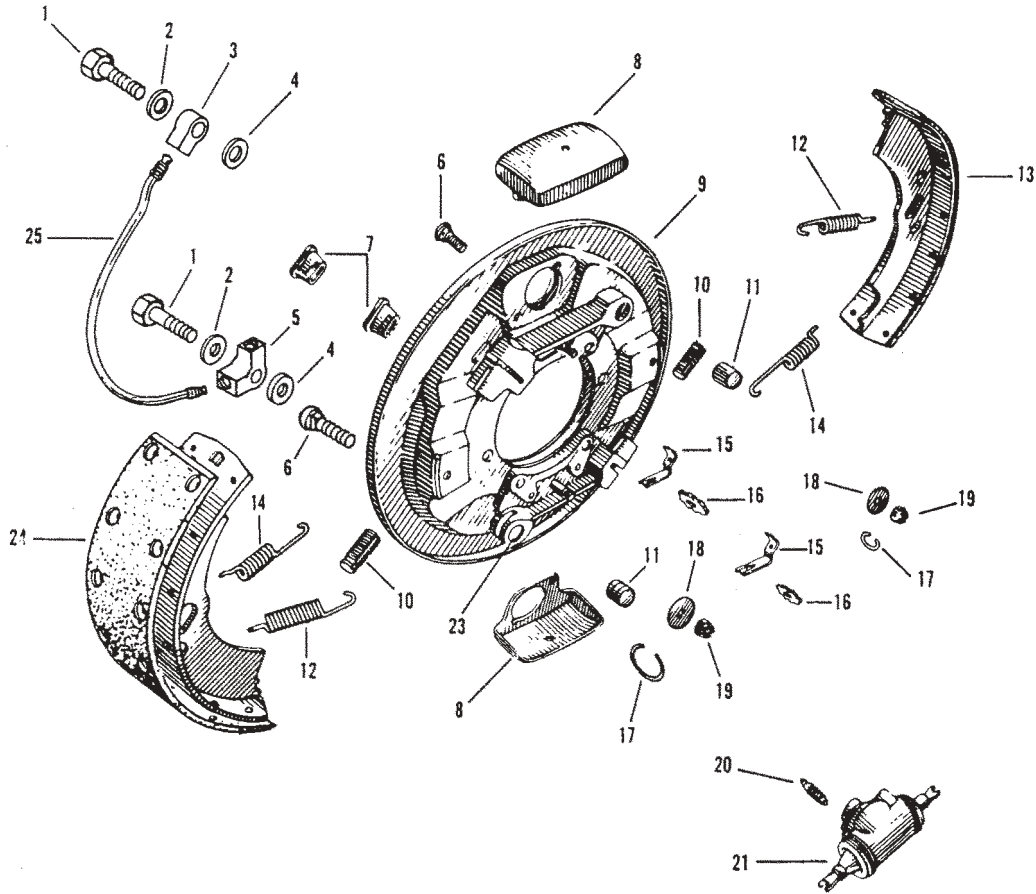
REF.	PART NO.	QTY.	DESCRIPTION	REF.	PART NO.	QTY.	DESCRIPTION
34	3100440	2	CYLINDER				
	0122126	2	HEX BOLT 3/8 NC X 7/8				
	0120382	2	LOCK WASHER 3/8				
	3100581	2	PUSH ROD				
35	3110488	4	BRAKE LINING SET WITH RIVETS				
	3110489	36	RIVET				
36	3110130	1	BRACKET				
37	3180215	1	BREATHER				
38	3100441	2	BRAKE DRUM				
39	3100564	26	HEX NUT 1/2 NF				
40	0455027	16	CAP SCREW 1/2 NF X 1 1/4				
41	3100413	10	FRONT DRUM TO HUB BOLT				
42	3190416	1	BRAKE LINE ASM				
43	3190177	1	BRAKE LINE ASM				
44	3190424	2	SWITCH PANEL				
45	3190425	1	HARNESS ASM-LEFT				
46	3180048	2	BRAKE MASTER CYLINDER				
47	3180055	2	BRASS WASHER				
48	3180160	2	BRAKE LINE FITTING				
49	3180260	1	BRAKE LINE ASM				
50	3180039	3	COUPLING 1/4 INCH				
51	3190175	1	BRAKE LINE ASM				
52	6600639	1	SHUTTLE VALVE				
53	3190179	1	BRAKE LINE ASM				
54	3190422	1	BRAKE LINE ASM				
55	3190181	1	BRAKE LINE ASM				
56	3190426	1	HARNESS ASM-RIGHT				
57	6700011	1	UNILET COVER				
58	6700023	1	GASKET				
59	6700010	1	UNILET TEE				
60	6700015	3	CONNECTOR				
61	3190411	1	BRAKE LINE ASM				
62	6450246	1	ACCUMULATOR				
63	0442346	2	TEE				
64	3190418	1	BRAKE LINE ASM				
65	3190413	1	BRAKE LINE ASM				
66	0442321	5	ADAPTOR				
67	6450247	1	BRAKE LOCK				
68	3180038	2	TEE 1/4 INCH				
69	3190420	1	BRAKE LINE ASM				
70	3180288	1	BRAKE LINE ASM				
71	3180290	1	BRAKE LINE ASM				
72	3180254	1	BRAKE LINE ASM				
73	6700508	2	BRAKE LOCK SWITCH				

Vacuum Pump



REF.	PART NO.	QTY.	DESCRIPTION	REF.	PART NO.	QTY.	DESCRIPTION
1	6600436	1	Vacuum Pump – IHC Diesel †				† For IHC Diesel Powered Units
	6600636	1	Vacuum Pump – IHC Diesel**				S/N 063 thru K-3376
	6600636	1	Vacuum Pump – GMC ***				** For IHC Diesel Powered Units
2	6600435	1	Separator Tank – IHC Diesel				S/N K-3377 thru
3	6435056	1	Pump Pulley – IHC				*** For All GMC Diesel Powered Units
	7360008	1	Pump Pulley – GMC				S/N 063 thru
4	6435059	1	V-Belt – IHC Diesel				
	7360009	1	V-Belt Set – GMC				

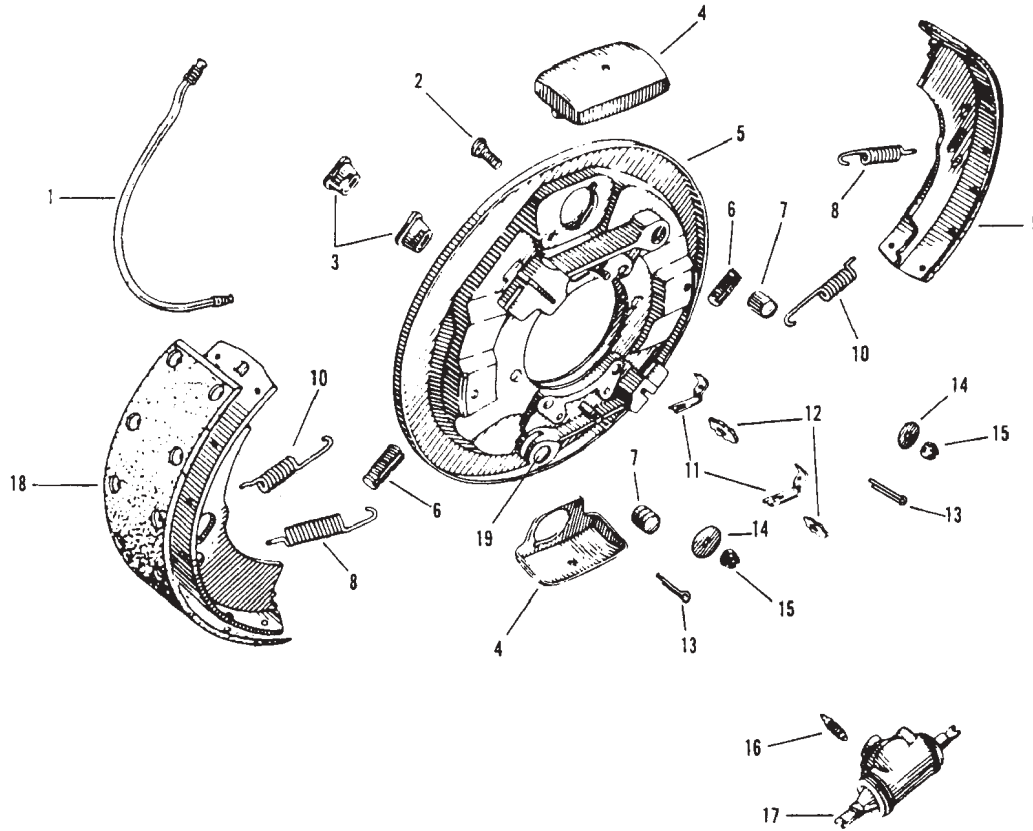
Rear Wheel Hydraulic Brakes - L & R - S/N 063 thru K-3669



REF.	PART NO.	QTY.	DESCRIPTION	REF.	PART NO.	QTY.	DESCRIPTION
1	3110136	4	BOLT	18	3110160	4	WASHER
2	3110137	4	GASKET	19	3110161	4	NUT
3	3110138	2	FITTING	20	3110460	4	SCREW
4	3110139	4	GASKET	21	3110163	4	CYLINDER ASM
5	3110140	2	FITTING	22	3110148	4	PIN
6	3110141	2	BOLT	23	3110147	1	LEFT SUPPORT PIN
7	3110142	4	COVER		3110154	1	RIGHT SUPPORT PIN
8	3110143	2	LEFT SHIELD		3110464	4	RIVET 1/2 DIA X 1 3/8
	3110144	2	RIGHT SHIELD	24	3110495	4	BRAKE LINING SET WITH RIVETS
9	3110152	1	RIGHT PLATE ASM	25	3180052	2	PIPE
	3110145	1	LEFT PLATE ASM	26	3110471	2	CYLINDER REPAIR KIT (INCLUDES 2 BOOTS AND 2 CUPS) NS
	3110170	4	MOUNTING BOLT-SHORT				
	3110171	8	MOUNTING BOLT-LONG				
	0214267	12	HEX NUT 1/2 NF				
	0135629	12	LOCK WASHER 1/2				
10	3110146	2	LEFT SCREW				
	3110153	2	RIGHT SCREW				
11	3110157	4	PIN				
12	3110169	4	SPRING				
13	3110172	4	SHOE ASM				
14	3110158	4	SPRING				
15	3110149	4	SPRING				
	3110150	4	SCREW WITH LOCKWASHER				
16	3110151	4	WHEEL				
17	3110159	4	RING				

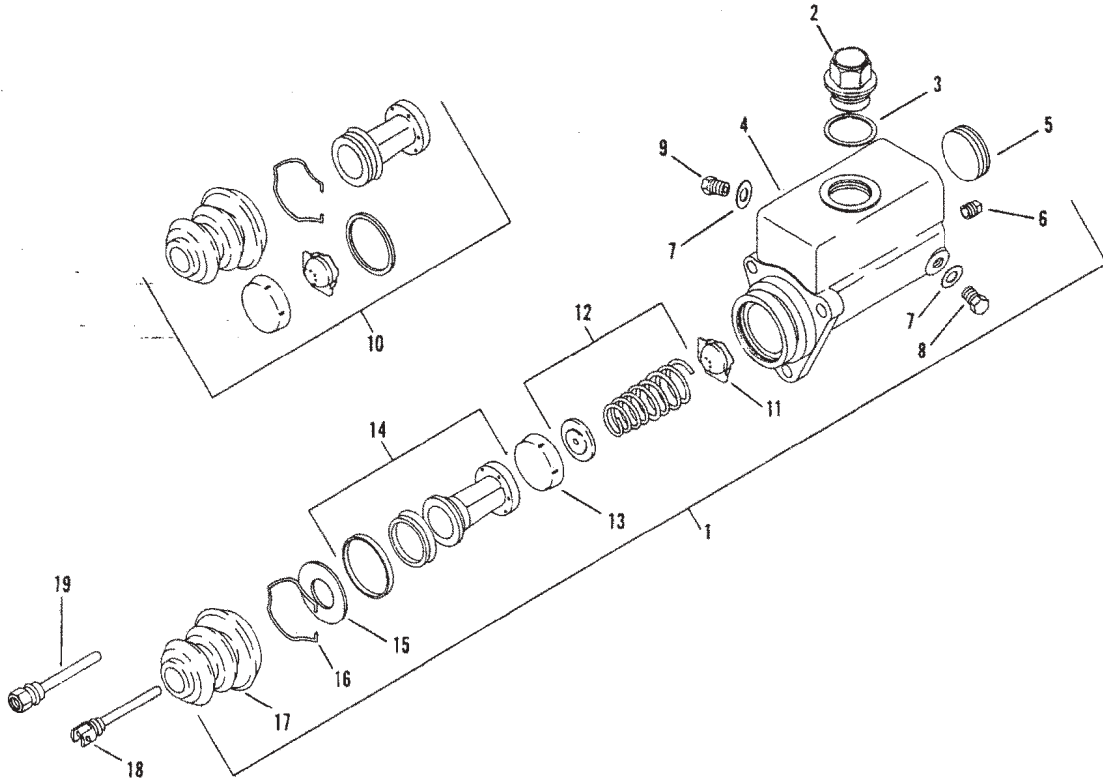
NS=NOT SHOWN

Rear Wheel Hydraulic Brakes - S/N K-3670 thru K-3813



REF.	PART NO.	QTY.	DESCRIPTION	REF.	PART NO.	QTY.	DESCRIPTION
1	3110602	2	PIPE ASM	17	3110600	2	BRAKE CYLINDER ASM
	3110604	2	CLIP			8	HEX HD BOLT 5/16 NC X 5/8
	3110603	2	SCREW			8	LOCK WASHER 5/16
2	3110141	4	SHOE GUIDE BOLT		3110471	AK	BRAKE CYLINDER REPAIR KIT
3	3110142	4	COVER	18		4	BRAKE LINING SET WITH RIVETS
4	3110143	2	LEFT BRAKE CYLINDER ASM SHIELD	19	3110596	1	LEFT SHOE ANCHOR SUPPORT WITH PIN AND RIVETS-UPPER
	3110144	2	RIGHT BRAKE CYL ASM SHIELD		3110597	1	LEFT SHOE ANCHOR SUPPORT WITH PIN AND RIVETS-LOWER
5	3110594	1	LEFT BACKING PLATE WITH SUPPORT		3110598	1	RIGHT SHOE ANCHOR SUPPORT WITH PIN AND RIVETS-UPPER
	3110595	1	RIGHT BACKING PLATE WITH SUPPORT		3110599	1	RIGHT SHOE ANCHOR SUPPORT WITH PIN AND RIVETS-LOWER
	0453027	12	MOUNTING BOLT-SHORT				
	9418301	8	MOUNTING BOLT-LONG				
	0214267	20	HEX NUT 1/2 NF				
	0135629	20	LOCK WASHER 1/2				
6	3110146	2	LEFT SHOE ADJ SCREW				
	3110153	2	RIGHT SHOE ADJ SCREW				
7	3110157	4	SHOE ANCHOR PIN				
8	3110165	4	SHOE FORWARD RETURN SPRING				
9	3110601	4	BRAKE SHOE ASM				
10	3110158	4	SHOE REVERSE RETURN SPRING				
11	3110149	4	SHOE ADJUSTING WHEEL SPRING				
	3110150	4	SCREW WITH LOCK WASHER				
12	3110151	4	SHOE ADJUSTING WHEEL				
13	0103373	4	COTTER PIN 3/32 X 3/4				
14	3110160	4	SHOE GUIDE BOLT WASHER				
15	3110161	4	SHOE GUIDE BOLT CASTLE NUT				
16	3110607	4	BLEEDER SCREW				

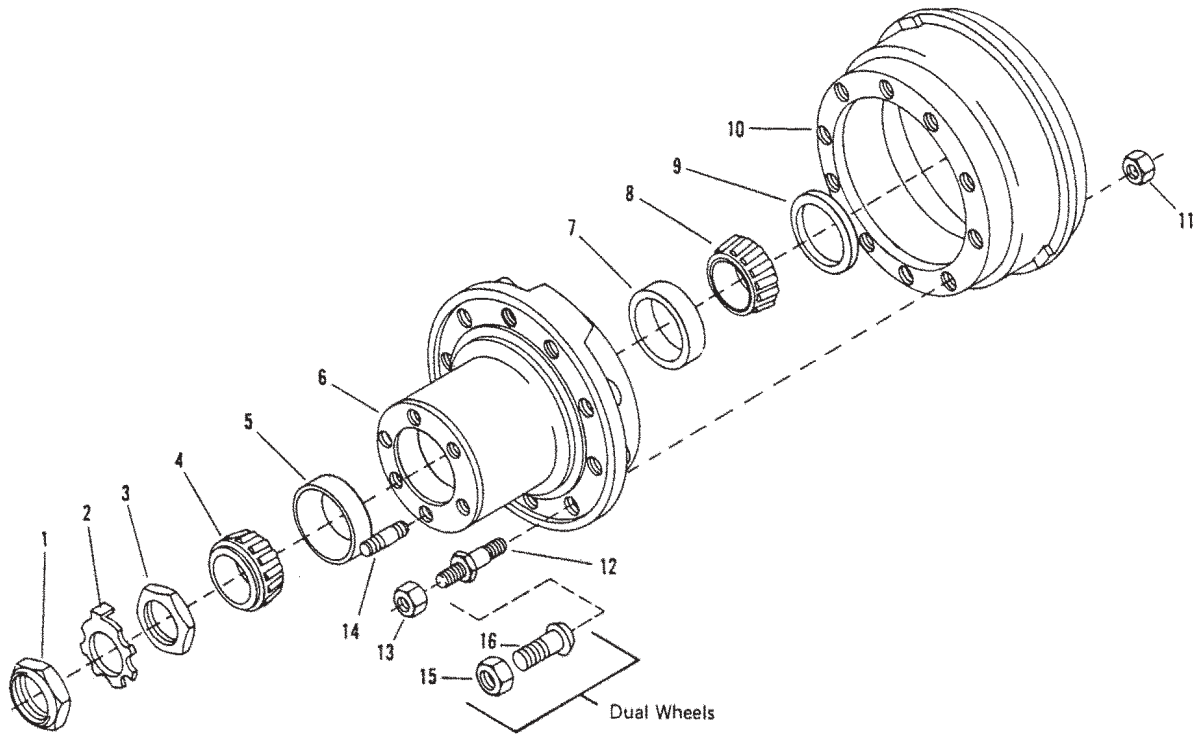
Master Cylinder - Hydraulic Brakes - S/N 063 thru K-3813



REF.	PART NO.	QTY.	DESCRIPTION	REF.	PART NO.	QTY.	DESCRIPTION
1	3180048	1	MASTER CYLINDER ASM				
2	3180156	1	FILL CAP				
3	3180157	1	GASKET				
4	3180158	1	BODY				
5	3180159	1	PLUG				
6	0219187	1	PIPE PLUG 1/8 NPT				
7	3180055	2	GASKET				
8	3180160	1	FITTING				
9	3180154	1	PLUG				
10	3180162	AR	REPAIR KIT				
11	3180153	1	VALVE				
12	3180152	1	SPRING ASM				
13	3180151	1	CUP				
14	3180148	1	PISTON ASM				
15	3180147	1	PLATE				
16	3180146	1	RING				
17	3180145	1	BOOT				
18	3180144	1	ROD-UNITS WITH S/N 063-K3565				
19	6450221	1	ROD-UNITS WITH S/N K3565 THRU PRESENT MODELS				

AR=AS REQUIRED

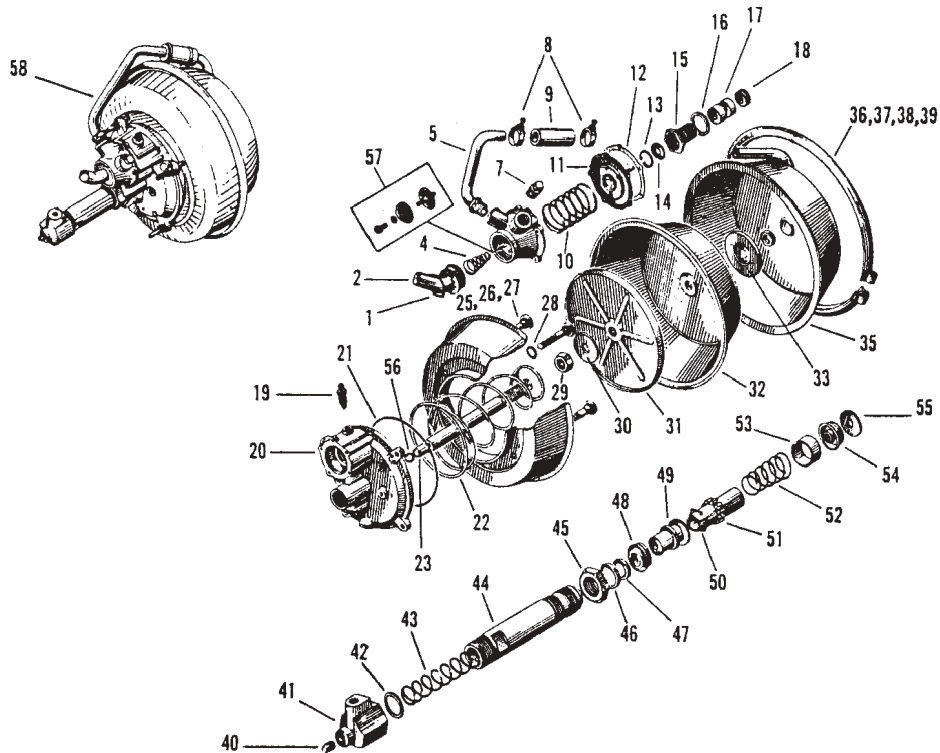
Disc - Rear Wheel - Left and Right



REF.	PART NO.	QTY.	DESCRIPTION	REF.	PART NO.	QTY.	DESCRIPTION
1	3110181	2	NUT AND SEAL				
2	3110182	2	LOCK				
3	3110183	2	NUT				
4	3110186	2	BEARING				
5	3110453	2	BEARING RACE				
6	6450072	2	HUB ASM (INCL ITEMS 5 AND 7)				
7	7220038	2	BEARING RACE				
8	6420037	2	BEARING				
9	6420038	2	SEAL				
10	6450105	2	BRAKE DRUM=UNITS WITH S/N 230, 238 THRU K3669				
	6450245	2	BRAKE DRUM=UNITS WITH S/N K3670 THRU PRESENT MODELS				
	6450106	2	GREASE SLINGER -NS				
11	0426099	20	HEX NUT,0.75NF				
12	3110044	10	STUD=LH SHOULDER,REAR				
	3110043	10	STUD=RH SHOULDER,REAR				
	3110046	10	NUT=LH,0.75NF				
	3110045	10	NUT=RH,0.75NF				
14	3110047	12	STUD=FLANGE,DRIVE				
15	3100417	AR	NUT-LEFT				
	3100418	AR	NUT-RIGHT				
16	3100364	AR	LEFT DUAL WHL NUT,0.75NC				
	3100363	AR	R.H. DUAL WHL NUT,0.75NC				

NS = NOT SHOWN
AR = AS REQUIRED

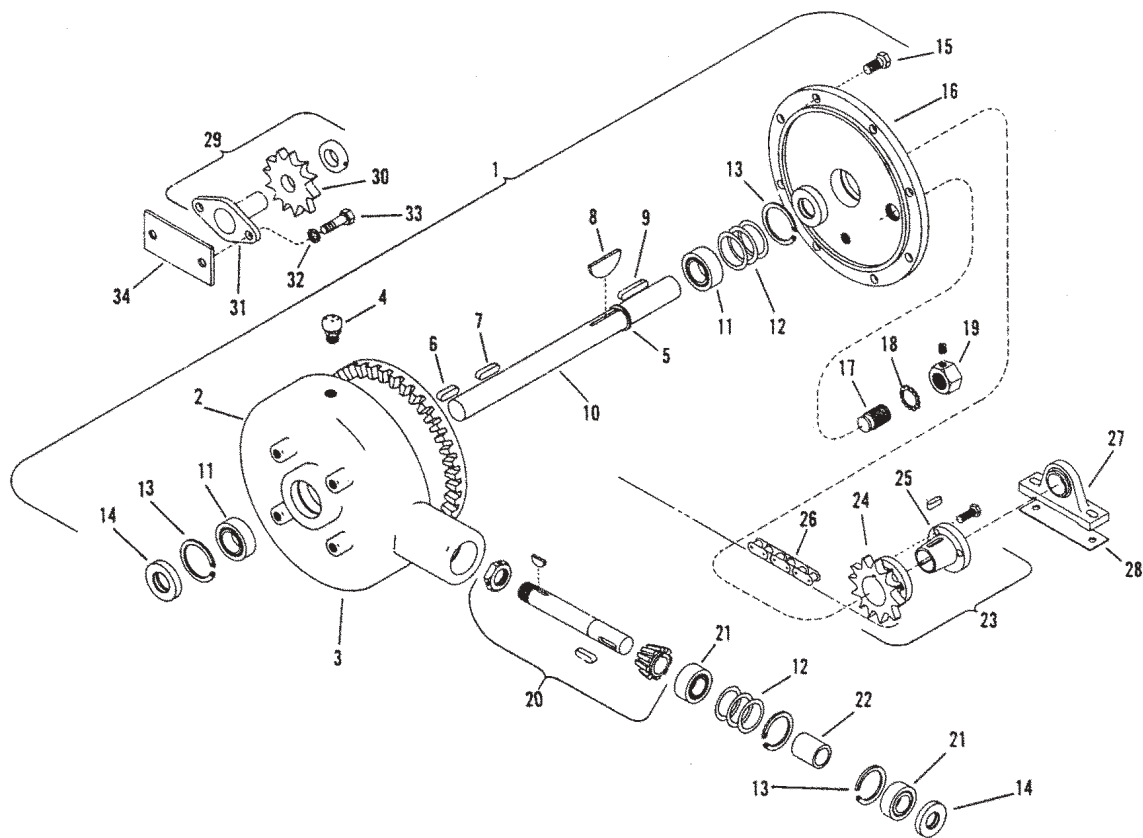
Hydravac Reservoir - S/N 063 thru K-3813



REF.	PART NO.	QTY.	DESCRIPTION	REF.	PART NO.	QTY.	DESCRIPTION
1	3180093	1	SNAP RING	32	3180121	1	DIAPHRAGM
2	3180094	1	TUBE WITH COVER	33	3180122	1	PLATE
3	3180095	1	GASKET	34	0272123	1	JAM NUT 7/16 NF
4	3180096	1	COMPRESSION SPRING	35	3180123	1	SHELL WITH TUBE
5	3180097	1	TUBE WITH BUSHING	36	3180124	1	RING
6	3180098	1	BODY	37	0422425	1	RD HD MACH SCREW 1/4 NF X 3
7	0219191	1	PIPE PLUG 3/8	38	0120367	1	HEX NUT 1/4 NF
8	3180099	2	CLAMP	39	0120380	1	LOCK WASHER 1/4
9	3180100	1	HOSE	40	0219187	1	PIPE PLUG 1/8
10	3180101	1	COMPRESSION SPRING	41	3180125	1	CAP
11	3180102	1	DIAPHRAGM	42	3180126	1	GASKET
12	3180103	1	GASKET	43	3180127	1	SPRING
13	3180104	1	SNAP RING	44	3180128	1	TUBE
14	3180105	1	WASHER	45	3180129	1	NUT
15	3180106	1	SLEEVE	46	3180130	1	SEAL
16	3180107	1	SEAL	47	3180131	1	SEAL
17	3180108	2	PISTON	48	3180132	1	CUP
18	3180109	1	CUP	49	3180133	1	PISTON
19	3180110	1	SCREW	50	3180134	1	SNAP RING
20	3180111	1	PLATE WITH ORIFICE	51	3180135	1	BUSHING
21	3180112	1	SEAL	52	3180136	1	SPRING
22	3180113	1	SPRING	53	3180137	1	SLEEVE
23	3180114	1	ROD	54	3180138	1	CUP
24	3180115	1	SHELL	55	3180139	1	WASHER
25	3180116	4	BOLT 5/16 NF	56	3180140	1	BALL
26	0120368	4	HEX NUT 5/16 NF	57	3180141	1	CONTROL VALVE KIT
27	0120214	4	LOCK WASHER 5/16	58	3180015	1	HYDRAVAC
28	3180117	4	SEAL				
29	3180118	1	NUT				
30	3180119	1	WASHER				
31	3180120	1	PLATE				

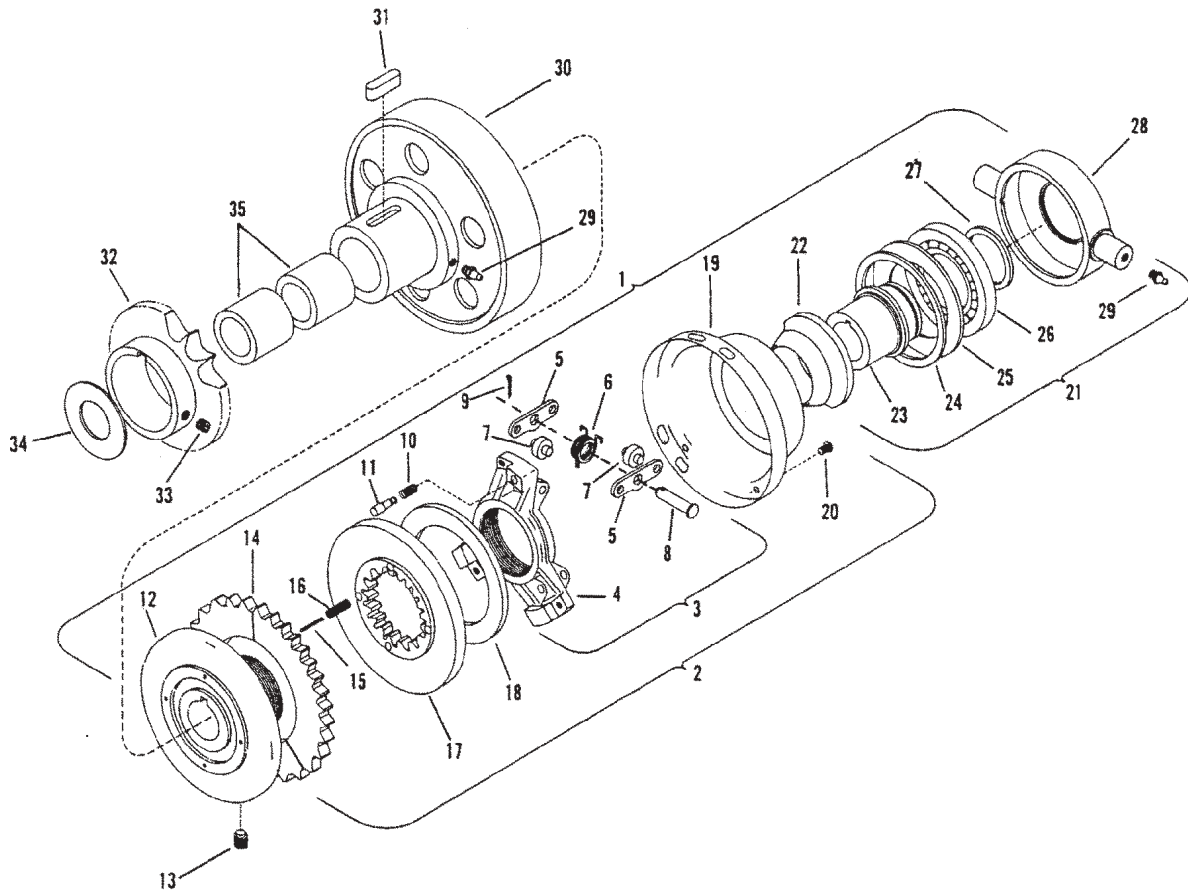
Specify Unit Serial No., Part No., & Part Description

Angle Drive Transmission - S/N 104 thru K-3813



REF.	PART NO.	QTY.	DESCRIPTION	REF.	PART NO.	QTY.	DESCRIPTION
1	3130181	1	ANGLE DRIVE TRANSMISSION (INCL REF 2-22)	26	3100331	1	ROLLER CHAIN
2	3130105	1	HOUSING	3140104	1	OFFSET LINK	
3	3130106	1	GEAR	3140105	1	MASTER LINK	
4	3100304	1	BREATHER	27	3100584	1	PILLOW BLOCK BEARING
5	3130114	1	SNAP RING	28	3100594	AR	SPACER 1/8 THICK
6	3100618	1	KEY 1/4 X 3/16 X 1 3/4	3100595	AR	SPACER 1/16 THICK	
7	3100359	1	KEY 5/16 SQ X 1 3/4	3100596	AR	SPACER 1/32 THICK	
8	0117982	1	WOODRUFF KEY 3/8 X 1 1/4	29	3100469	1	TIGHTNER ASM
9	6000232	1	KEY 1/4 SQ X 2 1/4	30	3140081	1	IDLER SPROCKET
10	3130108	1	SHAFT	31	3140082	1	FIXED FLANGE (INCL SET COLLAR)
11	3130110	2	BEARING	32	0120382	2	LOCK WASHER 3/8
12	3130116	AR	SHIMS	33	0122145	2	HEX BOLT 3/8 NC X 1 1/4
13	3130113	4	SNAP RING	34	3100329	1	IDLER BRACKET
14	3130112	3	SEAL				
15	0122119	8	HEX BOLT 3/8 NC X 3/4				
16	3130117	1	COVER				
17	3130122	1	THRUST PIN				
18	3130124	1	THRUST LOCK WASHER				
19	3130123	1	HEX NUT WITH SET SCREW				
20	7800402	1	INPUT SHAFT ASM				
21	3130111	2	BEARING				
22	3130115	1	SPACER				
23	3110491	1	BUSHING AND SPROCKET ASM				
24	3110052	1	SPROCKET				
25	3110055	1	TAPER LOCK BUSHING (INCL KEY AND BOLT)				

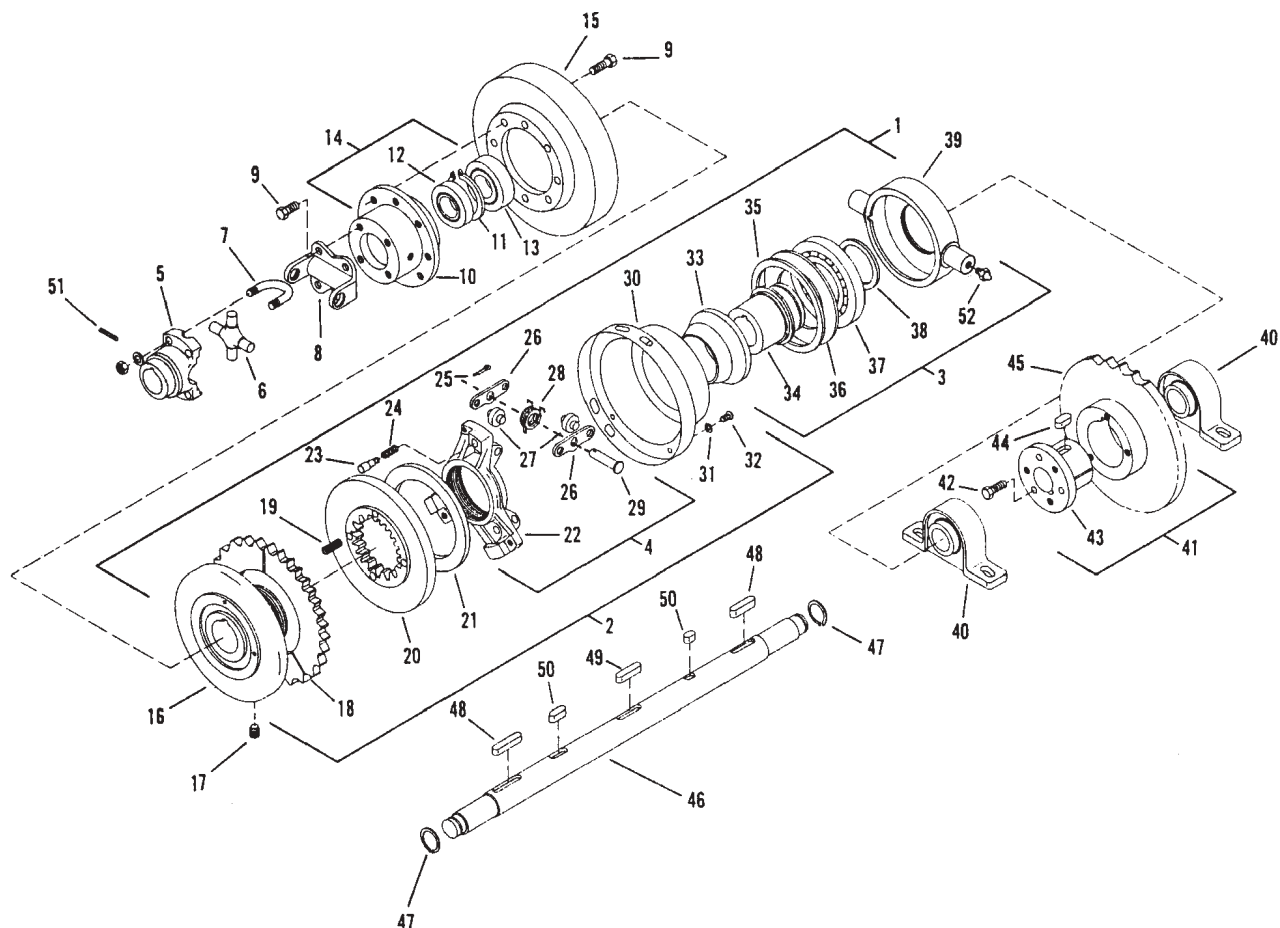
5 Inch Clutch Arrangement



REF.	PART NO.	QTY.	DESCRIPTION	REF.	PART NO.	QTY.	DESCRIPTION
1	3170083	1	CLUTCH ASM	28	3170102	1	TRUNNION
2	3170117	1	PRESSURE PLATE ASM	29	0191758	2	ZERK 1/8 NPT
3	3170122	1	CONNECTOR ASM INCL REF #=11)	30	3170082	1	DRIVE SPIDER
4	3170105	1	CONNECTOR	31	3100172	1	KEY 3/8 SQ X 1 3/8
5	3170094	6	ROLLER PLATE	32	3170087	1	SPROCKET
6	3170093	3	SPRING	33	0102592	1	SET SCREW 3/8 NC X 3/8
7	3170095	6	ROLLER	34	3170086	1	WASHER
8	3170091	3	PIVOT PIN	35	3170115	2	BEARING
9	3170092	3	COTTER PIN				
10	3170090	1	RELEASE SPRING				
11	3190089	1	RELEASE PIN				
12	3170110	1	SOLID FACE				
13	3170112	1	SET SCREW				
14	3170109	1	CLUTCH LINING (3 SEGMENTS)				
15	3170111	4	PRESSURE PIN				
16	3170108	4	PRESSURE SPRING				
17	3170107	1	PRESSURE FACE				
18	3170106	1	WEAR DISC				
19	3170104	1	COVER				
20	3170096	3	SCREW				
21	3170116	1	COLLAR ASM				
22	3170103	1	ROLLER SEAT				
23	3170097	1	SLEEVE				
24	3170101	1	RETAINER				
25	3170100	1	SPACER				
26	3170099	1	BEARING				
27	3170098	1	RETAINER				

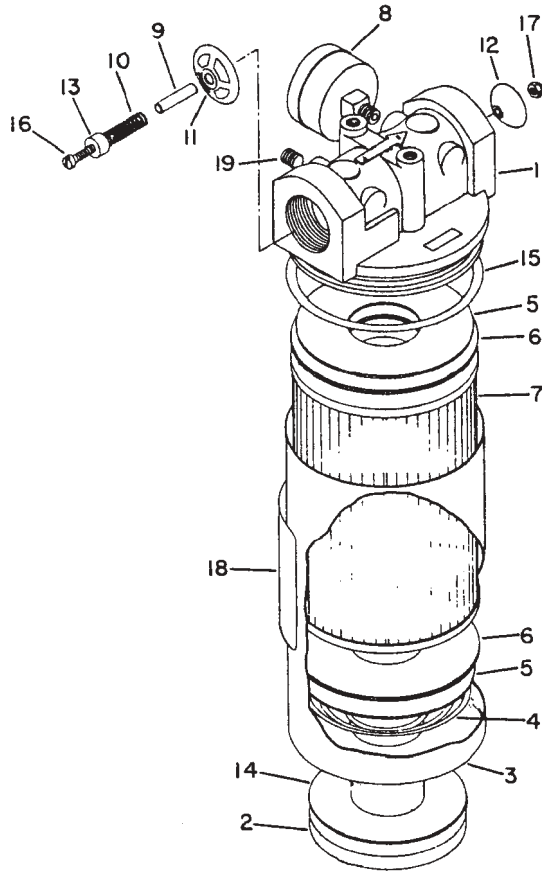
Specify Unit Serial No., Part No., & Part Description

8 Inch Clutch Arrangement



REF.	PART NO.	QTY.	DESCRIPTION	REF.	PART NO.	QTY.	DESCRIPTION
1	3170026	2	CLUTCH ASM (INCL REF 16-39)	31	0120214	6	LOCK WASHER 5/16
2	3170124	2	PRESSURE PLATE ASM	32	3170046	6	MACHINE SCREW
3	3170047	2	COLLAR ASM	33	3170048	2	ROLLER SEAT
4	3170034	2	CONNECTOR ASM	34	3170049	2	SLEEVE
5	3170012	2	END YOKE	35	3110095	2	RETAINER
6	3170013	2	JOURNAL AND BEARING ASM	36	3110094	2	SPACER
7	3170017	4	U-BOLT ASM	37	3110095	2	BEARING
8	3170021	2	FLANGE YOKE	38	3110093	2	RETAINER
9	3110538	24	HEX BOLTS 3/8 NC X 7/8	39	3110091	2	TRUNNION
10	3170005	2	BEARING FLANGE	40	3170056	2	PILLOW BLOCK
11	6000287	2	RETAINING RING	41	3170119	1	DRIVE SPROCKET ASM
12	3170022	2	BEARING-SMALL	42	0122027	3	HEX BOLT 5/16 NC X 1 1/4
13	3170023	2	BEARING-LARGE	43	3110054	1	BUSHING
14	3170125	2	BEARING FLANGE ASM	44	3170118	1	KEY 1/2 X 3/8 X 1
15	3170024	2	SPIDER FLANGE	45	3170057	1	SPROCKET
16	3170027	2	SOLID FACE	46	3110014	1	DRIVE SHAFT
17	3170028	2	SET SCREW	47	6000441	2	RETAINING RINGS
18	3170031	2	CLUTCH LINING (3 SEGMENTS)	48	3170061	2	KEY 3/8 SQ X 2
19	3170030	8	PRESSURE SPRING	49	3170059	1	KEY 3/8 SQ X 1 3/4
20	3170032	2	PRESSURE FACE	50	6000011	2	KEY 1/4 SQ X 1
21	3170033	2	WEAR DISC	51	6100106	2	SPRING PIN 5/16 X 2
22	3170040	2	CONNECTOR	52	0191758	2	ZERK FITTING 1/8 NPT
23	3170041	2	RELEASE PIN				
24	3170042	2	RELEASE SPRING				
25	7810035	6	RETAINING PIN				
26	3170035	12	ROLLER PLATE				
27	3170037	12	ROLLER				
28	3170036	6	SPRING				
29	3170039	6	PIVOT PIN				
30	3170043	2	COVER				

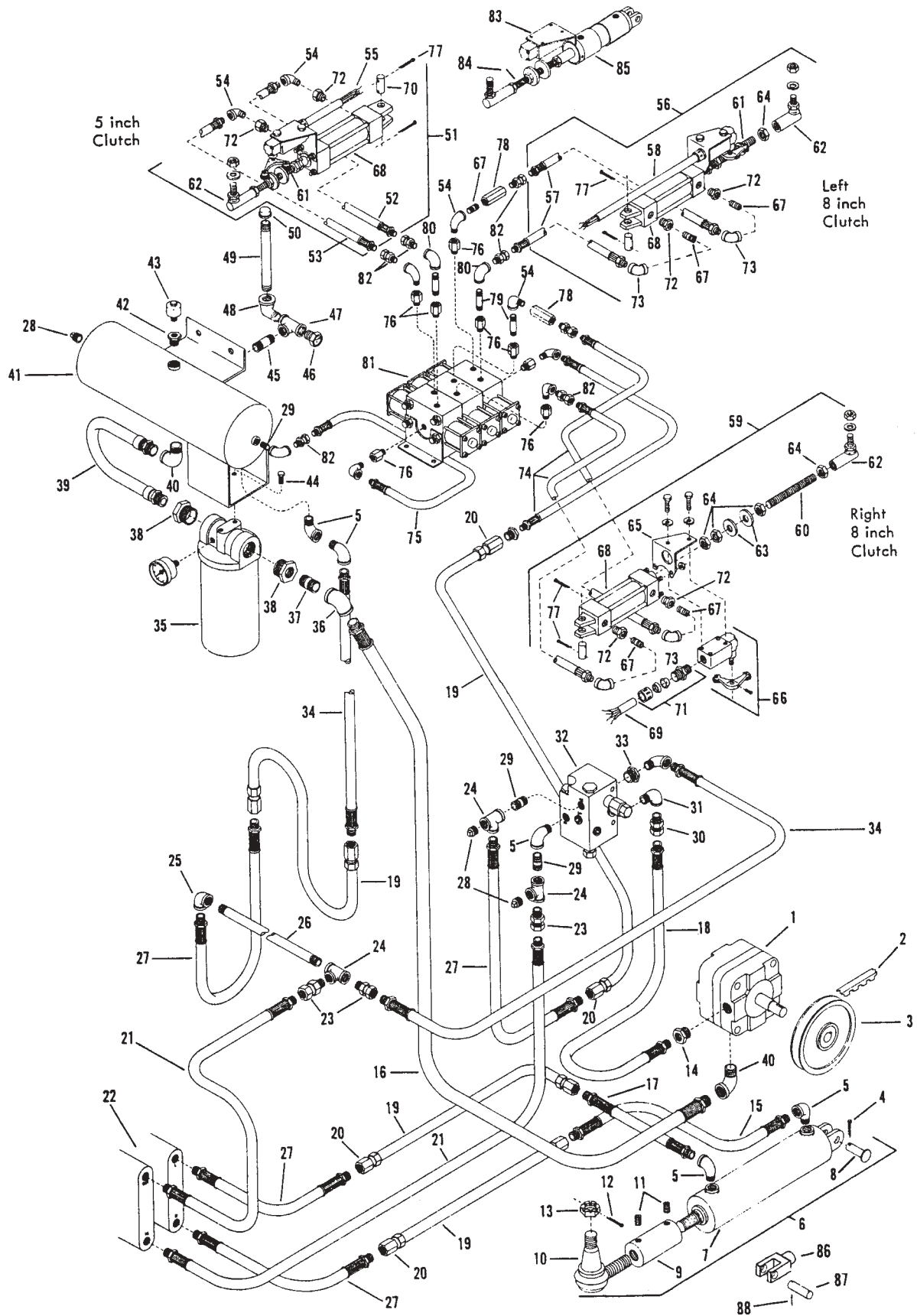
Filter - Hydraulic - S/N 162 thruK-3813



REF.	PART NO.	QTY.	DESCRIPTION	REF.	PART NO.	QTY.	DESCRIPTION
1	7420043	1	Head Casting	11	7420051	1	By-Pass Guide
2	7420044	1	Center Post	12	7420052	1	By-Pass Valve
3	7420045	1	Filter Hsg. - (200 PSI Max.)	13	7420053	1	By-Pass Stem Cap
4	7420046	1	Conical Spring	14	7420054	1	Center Post Seal Gasket
5	7420047	2	Back-up Washer - 4-1/4"	15	7420055	1	Housing Seal O-Ring
6	7420006	2	Gasket	16	7420056	1	By-Pass Fil. Hd. Screw
7	7420041	1	Element - (100 Mesh Screen)	17	7420057	1	By-Pass Locknut
8	7420042	1	Vacuum Indicator - 30"	18	7420058	1	Instruction Decal
9	7420049	1	By-Pass Valve Spacer	19	0103865	1	Pipe Plug - 1/8" NPT
10	7420050	1	By-Pass Spring - (5 PSI)				

Specify Unit Serial No., Part No., & Part Description

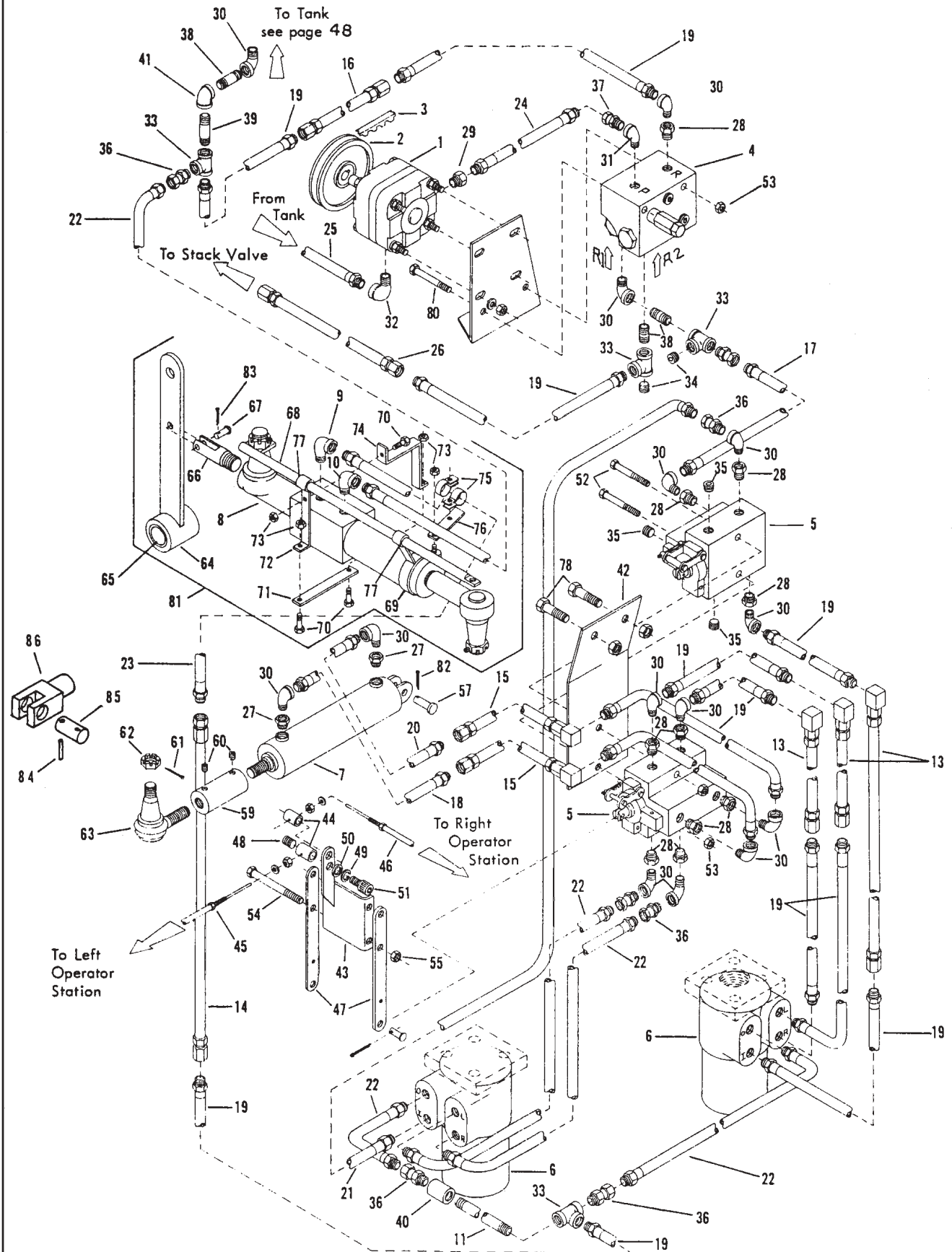
Hydraulic System - Left Hand Drive



Hydraulic System - Left Hand Drive

REF.	PART NO.	QTY.	DESCRIPTION	REF.	PART NO.	QTY.	DESCRIPTION
1	3180000	1	HYDRAULIC PUMP	56	3180305	1	CYLINDER ASM=8 IN CLUTCH=LEFT
2	3180061	1	BELT SET-IHC DIESEL ENGINE	57	3180018	2	HYDRAULIC HOSE 1/4 X 12 1/2
	3180236	1	BELT SET	58	3180329	1	4 WIRE CORD = 8 INCH CLUTCH LT
			IHC GAS AND GMC DIESEL ENGINE	59	3180306	1	CYLINDER ASM=8 IN CLUTCH=RIGHT
3	3100538	1	SHEAVE AND BUSHING ASSEMBLY	60	3180303	1	HYDRAULIC CYLINDER ROD
			IHC GAS AND GMC DIESEL ENGINE	61	3180302	2	HYDRAULIC CYLINDER ROD
	3170050	1	SHEAVE ASM-IHC DIESEL ENGINE	62	6100127	3	BALL JOINT 1/2
4	0103386	1	COTTER PIN 1/8 X 1 1/4	63	3160125	6	SWITCH ACTUATING DISC
5	0120063	6	STREET ELBOW 3/8 X 90 DEG	64	0124934	12	JAM NUT 1/2
6	3180310	1	POWER STEERING CYLINDER ASM	65	3180304	3	LIMIT SWITCH PLATE
7	7215021	1	CYLINDER REPLACEMENT KIT (INCL CYLINDER, CLEVIS, PIPE BUSHINGS, ALL PINS AND SUPPORT BRACKET) UNITS WITH S/N 063 THRU K-3423	66	3100117	3	CYLINDER LIMIT SWITCH
				67	0105405	5	CLOSE NIPPLE 1/4 X 7/8
	7215022	1	CYLINDER REPLACEMENT KIT (INCL CYLINDER, REAR PIN ASM, COTTER PIN AND SUPPORT BRACKET) UNITS WITH S/N K3424 THRU K3639, K3641, K3642, K3643, K3645 THRU K3654	68	6600475	3	HYDRAULIC CYLINDER
				69	3180330	1	4 WIRE CORD = 8 INCH CLUTCH RT
	6600807	1	HYDRAULIC CYLINDER=MODELS WITH S/N K3640, K3644, K3655 THRU K3813	70	7215009	3	PIVOT PIN
				71	6700607	3	CORD GRIP
	7420140	1	REPAIR KIT = 6600807 CYLINDER	72	0119931	6	REDUCING BUSHING 3/8 X 1/4
8	3180308	1	PIN ASM=S/N 162 THRU K3639, K3641, K3643, K3645 THRU K3654	73	0105415	4	PIPE ELBOW 1/4 X 45 DEG
				74	3180019	3	HYDRAULIC HOSE 1/4 X 15
	3180336	1	PIN ASM=S/N K3640, K3642, K3644, K3655 THRU K3813	75	3180221	1	HYDRAULIC HOSE 1/4 X 27
				76	3180092	8	FEMALE TO MALE ADAPTOR 1/4 NPT
9	3180309	1	MOUNTING BLOCK	77	0103385	6	COTTER PIN 1/8 X 1
10	3110024	1	BALL JOINT	78	3180220	2	FLOW CONTROL 1/4
11	3100154	2	SET SCREW 3/8 X 3/4	79	0119920	3	PIPE NIPPLE 1/4 NPT X 2
12	0103390	1	COTTER PIN 1/8 X 2 1/2	80	0105413	2	ELBOW 1/4 NPT X 90 DEG
13	0427646	1	CASTLE NUT 7/8 NF	81	3180064	1	STACK VALVE ASSEMBLY
14	0144034	1	REDUCING BUSHING 3/4 TO 1/2		3180065	1	STACK VALVE CONTROL UNIT
15	3180021	1	HYDRAULIC HOSE 3/8 X 25		3180226	3	O-RING KIT
16	3180233	1	HYDRAULIC HOSE 3/4 X 85		3180225	AR	COIL ASM 12 VOLT WOUND TYPE
17	3180022	4	HYDRAULIC HOSE 3/8 X 20		7530009	AR	COIL ASM 12 VOLT MOULDED TYPE
18	3180023	4	HYDRAULIC HOSE 1/2 X 20	82	3180067	7	SWIVEL ADAPTOR 1/4 NPT
19	9250120	4	HYDRAULIC TUBING 1/2 OD	83	3160135	AR	LIMIT SWITCH PLATE - S/N 162 THRU 301
20	3180070	8	FLARE FITTING	84	3150305	AR	CYLINDER ROD=8 IN CLUTCH-S/N 162 THRU 301
21	3180232	2	HYDRAULIC HOSE 3/8 X 50	85	7215024	AR	CYLINDER REPLACEMENT KIT (INCL. CYLINDER, LIMIT SWITCH PLATE, AND LINKAGE RODS (2) FOR 8 INCH AND 5 INCH CLUTCH
22	3180219	1	POWER STEERING UNIT	86	3180299	1	CLEVIS
23	3180034	3	SWIVEL ADAPTOR 3/8 NPT	87	3180300	1	PIN
24	0120280	3	TEE 3/8 NPT	88	0456826	2	ROLL PIN
25	0119097	1	ELBOW 3/8 NPT				
26	3180243	1	CROSS PIPE 3/8 NPT				
27	3180020	1	HYDRAULIC HOSE 3/8 X 18				
28	0219191	3	PIPE PLUG 3/8 NPT				
29	0121207	3	CLOSE NIPPLE 3/8 NPT				
31	0108686	1	STREET ELBOW 1/2				
32	3180063	1	FLOW REGULATOR				
33	0142767	1	REDUCING BUSHING 3/4 TO 3/8				
34	3180222	2	HYDRAULIC HOSE 3/8 X 13				
35	3100607	1	FILTER ASSEMBLY				
36	0119095	1	ELBOW 3/4 NPT X 45 DEG				
37	0144613	1	CLOSE NIPPLE 3/4 NPT				
38	0144053	2	REDUCING BUSHING 1 1/4 TO 3/4				
39	3100614	1	HYDRAULIC HOSE 3/4 X 21				
40	0141621	1	STREET ELBOW 3/4 NPT X 90 DEG				
41	3100604	1	HYDRAULIC RESERVOIR				
42	0116524	1	REDUCING BUSHING 1/2 TO 1/4				
43	6600223	1	BREATHER				
44	0122017	2	HEX BOLT 5/16 NC X 1				
45	0190570	1	PIPE NIPPLE 1 X 3				
46	6600224	1	OIL SIGHT GLASS				
47	0115237	1	TEE 1 INCH NPT				
48	0144116	1	STREET ELBOW 1 IN NPT X 90 DEG				
49	0219354	1	PIPE NIPPLE 1 X 8				
50	0108689	1	PIPE CAP 1 INCH NPT				
51	3180307	1	CYLINDER ASM = 5 INCH CLUTCH				
52	3180231	1	HYDRAULIC HOSE 1/4 X 33				
53	3180221	1	HYDRAULIC HOSE 1/4 X 27				
54	0105423	8	ELBOW 1/4 X 90 DEG				
55	3180331	1	4 WIRE CORD = 5 INCH CLUTCH				

Hydraulic System - Dual Control

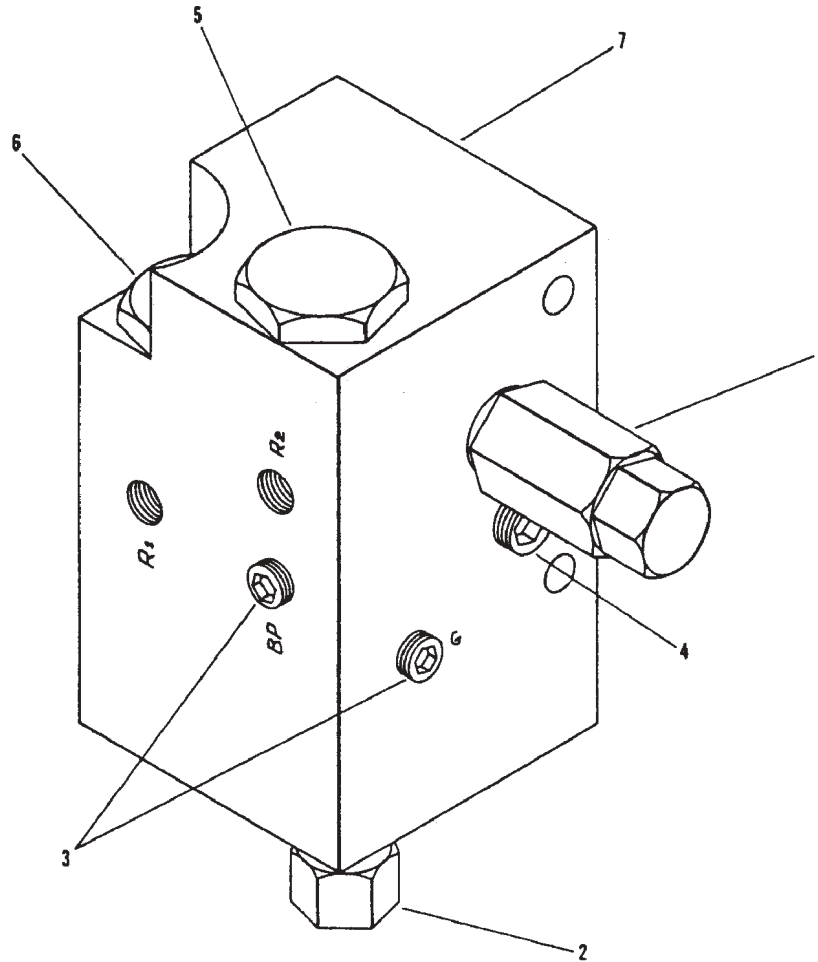


Hydraulic System - Dual Control

REF.	PART NO.	QTY.	DESCRIPTION	REF.	PART NO.	QTY.	DESCRIPTION
1	3180000	1	HYDRAULIC PUMP	52	0115253	2	CAPSCREW 3/8 NC
2	3170050	1	SHEAVE ASM (IHC DIESEL)	53	9*18871	4	LOCK NUT 3/8 NC
	3180237	1	SHEAVE ASM (IHC GAS AND GMC DIESEL)	54	0173206	2	CAPSCREW 1/4 X 3 1/2 NC
3	3180061	1	BELT SET (IHC DIESEL)	55	9*18936	2	LOCK NUT 1/4 NC
	3180538	1	BELT (IHC GAS-GMC DIESEL)	56	3190279	1	POWER STEERING VALVE ASM (INCL ITEMS 5, 28, 30, 35, *1-*3 AND *6-55
4	3180063	1	FLOW REGULATOR	57	3180308	1	PIN ASM-S/N 162 THRU K3639, K36*1, K36*3, K36*5 THRU K365*
5	6600703	2	SELECTOR VALVE		3180336	1	PIN ASM-S/N K36*0, K36*2, K36*4, K3655 THRU K3813
6	3180219	2	POWER STEERING UNIT	59	3180309	1	MOUNTING BLOCK
7	7215021	1	CYLINDER REPLACEMENT KIT (INCL CYLINDER, CLEVIS, PIPE BUSHINGS, ALL PINS AND SUPPORT BRACKET) UNITS WITH S/N 063 THRU K-3*23	60	610015*	2	SET SCREW 3/8 X 3/4
	7215022	1	CYLINDER REPLACEMENT KIT (INCL CYLINDER, REAR PIN ASM, COTTER PIN AND SUPPORT BRACKET) UNITS WITH S/N K3*2* THRU K3639, K36*1, K36*2, K36*3, K36*5 THRU K365*	61	0103390	1	COTTER PIN 1/8 X 2 1/2
	6600807	1	HYDRAULIC CYLINDER MODELS WITH S/N K36*0, K36*4, K3655 THRU-K3813	62	0*276*6	1	CASTLE NUT 7/8 NF
	7*20140	1	CYLINDER REPAIR KIT-NO 6600807 HYDRAULIC CYLINDER NS	63	311002*	1	BALL JOINT
8	6600714	1	FRONT HOPPER CYLINDER	64	3190285	1	PIVOT ARM ASSEMBLY
9	6600716	1	ELBOW ADAPTOR=LONG	65	3150189	1	BEARING
10	6600717	1	ELBOW ADAPTOR=SHORT	66	3190281	1	CONNECTOR 1 1/4 X 4
11	3180243	1	CROSS PIPE	67	3190371	1	PIVOT PIN 3/8 X 2
12	3180072	2	CROSS PIPE SUPPORT=NS	68	3190287	1	CONTROL ROD
13	3180322	3	LINE ASM-HYDRAULIC TUBING	69	3190290	1	REAR GUIDE ASM
14	3180262	1	LINE ASM-HYDRAULIC TUBING	70	0121887	4	CAPSCREW 1/4 NC X 3/4
15	3180264	2	LINE ASM-HYDRAULIC TUBING	71	3190376	1	BOTTOM PLATE
16	3190308	1	LINE ASM-HYDRAULIC TUBING	72	3190296	1	BAR AND TUBE ASM
17	3180021	1	HOSE ASM 3/8 X 25 (IHC GAS AND IHC DIESEL)	73	9*18936	5	LOCK NUT 1/4 NC
	3180232	1	HOSE ASM 3/8 X 50 (GMC DIESEL)	74	3190298	1	BAR-GUIDE
18	3180020	1	HOSE ASM 3/8 X 18	75	6000059	2	HOSE CLAMP 5/8
19	3180022	12	HOSE ASM 3/8 X 20	76	3190294	1	HOSE STAND OFF
20	3180021	1	HOSE ASM 3/8 X 25	77	31*0288	2	BEARING-GUIDE
21	6600706	1	HOSE ASM 3/8 X 3*	78	0120*26	2	CAPSCREW 1/2 NC X 1 1/4
22	3180232	5	HOSE ASM 3/8 X 50	79	6100068	2	LOCK NUT 1/2 NC
23	3190305	1	HOSE ASM 3/8 X 55	80	0179104	2	CAPSCREW 3/8 NC X * 1/2
24	3180023	1	HOSE ASM 1/2 X 20 IHC GAS AND GMC DIESEL	81	3190280	1	HOPPER OPENER CYLINDER ASM
	3190091	1	HOSE ASM 1/2 X 96 IHC DIESEL	82	0103386	1	COTTER PIN 1/8 X 1 1/4
25	3180233	1	HOSE ASM 3/4 X 85 IHC GAS AND GMC DIESEL	83	0103385	1	COTTER PIN 1/8 X 1
	3180023	1	HOSE ASM 1/2 X 20 IHC DIESEL	84	3180300	1	PIN
26	3180268	1	LINE ASM-HYDRAULIC TUBING	85	0*56826	2	ROLL PIN
27	01*2269	2	REDUCING-BUSHING 3/8 X 1/2	86	3180299	1	CLEVIS
28	01*2767	10	REDUCING BUSHING 3/4 X 3/8				
29	01*4034	1	REDUCING BUSHING 3/4 X 1/2				
30	0120063	14	STREET ELBOW 3/8				
31	0108686	1	STREET ELBOW 1/2				
32	01*1621	1	STREET ELBOW 3/4				
33	0120280	4	TEE 3/8				
34	0219191	2	PIPE PLUG 3/8				
35	0219301	3	PIPE PLUG 3/4				
36	3180034	7	SWIVEL ADAPTOR 3/8				
37	3180035	1	SWIVEL ADAPTOR 1/2				
38	0121207	3	CLOSE NIPPLE 3/8				
39	01*4603	1	PIPE NIPPLE 3/8 X 3				
40	0187396	1	PIPE COUPLING 3/8				
41	0119097	1	ELBOW 3/8 NPT				
42	3100699	1	VALVE MOUNTING PLATE				
43	3180314	1	VALVE HANDLE BRACKET ASM				
44	3180315	2	CABLE CONNECTOR				
45	6600704	1	CABLE 44 IN				
46	6600705	1	CABLE 144 IN				
47	3180311	2	VALVE HANDLE				
48	0192450	4	SET SCREW 5/16=18 X 5/16				
49	0120217	2	LOCK WASHER 3/16				
50	0123885	2	FLAT WASHER				
51	9*06752	2	SOCKET HEAD CAPSCREW NO 10-32				

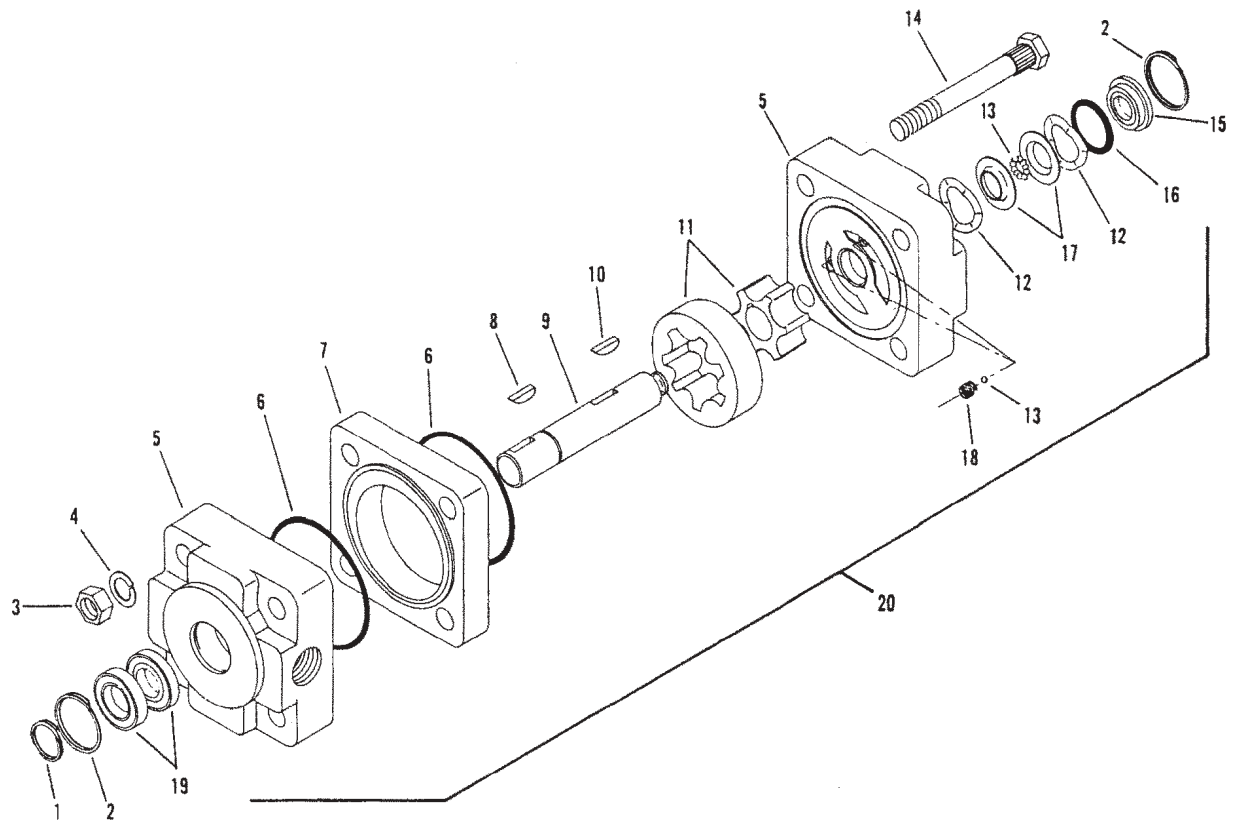
NS=NUT SHOWN

Double Non-Adjusting Flow Regulator



REF.	PART NO.	QTY.	DESCRIPTION	REF.	PART NO.	QTY.	DESCRIPTION
1	3180239	1	RELIEF CARTRIDGE (NON=ADJ SET AT 800 PSI)				
2	7430067	1	RELIEF CARTRIDGE (NON=ADJ SET AT 1200 PSI)				
3	3180241	2	PIPE PLUG 3/8 DRY SEAL				
4	3180242	1	PIPE PLUG 1/2 DRY SEAL				
5	3180240	1	FLOW REGULATOR CARTRIDGE (NON=ADJ SET AT 2 GPM)				
6	7430068	1	FLOW REGULATOR CARTRIDGE (NON=ADJ SET AT 6 GPM)				
7	3180238	1	BODY				
8	3180063	1	DOUBLE NON=ADJUSTING FLOW REGULATOR=COMPLETE				

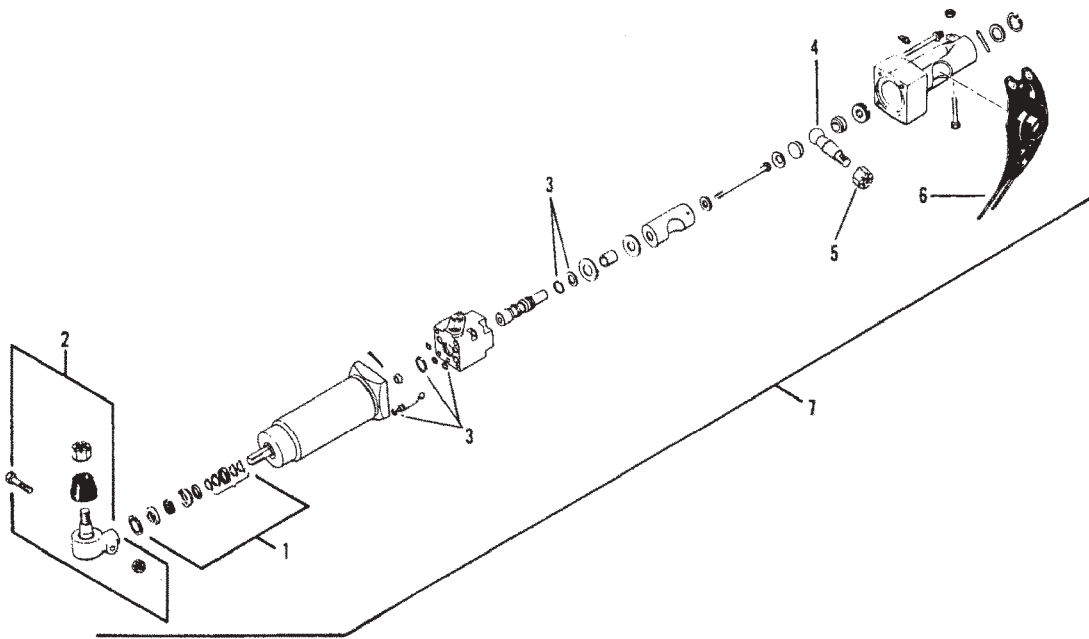
Pump - Hydraulic - S/N 063 thruK-3813



REF.	PART NO.	QTY.	DESCRIPTION	REF.	PART NO.	QTY.	DESCRIPTION
1	3180075	1	Snap Ring	12	3180084	2	Washer - Spring
2	3180076	2	Snap Ring	13	3180085	14	Ball - 3/16"
3	0214267	4	Hex Nut - 1/2" N.F.	14	3180091	4	Hex Bolt - 1/2" N.F.
4	0120384	4	Lockwasher - 1/2"	15	3180086	1	Plug - End
5	3180077	2	Block - Bearing Assy.	16	3180087	1	O-Ring
6	3180078	2	O-Ring	17	3180088	2	Race - Bearing
7	3180079	1	Block Rotor	18	3180089	4	Insert
8	3180080	1	Key - Woodruff	19	3180090	2	Seal - Hydraulic Pump
9	3180081	1	Shaft - Pump	20	3180000	1	Hydraulic Pump Assy.
10	3180092	1	Key - Hardened Woodruff				
11	3180083	1	Gerotor Assy.				

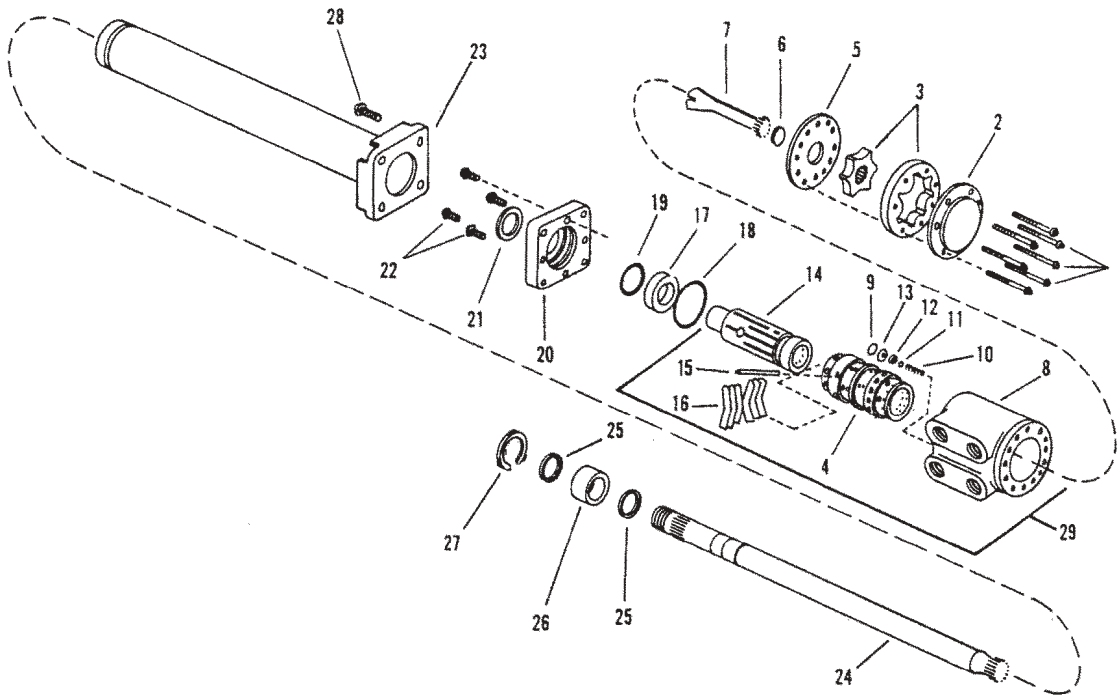
Specify Unit Serial No., Part No., & Part Description

Front Hopper Integral Power Unit



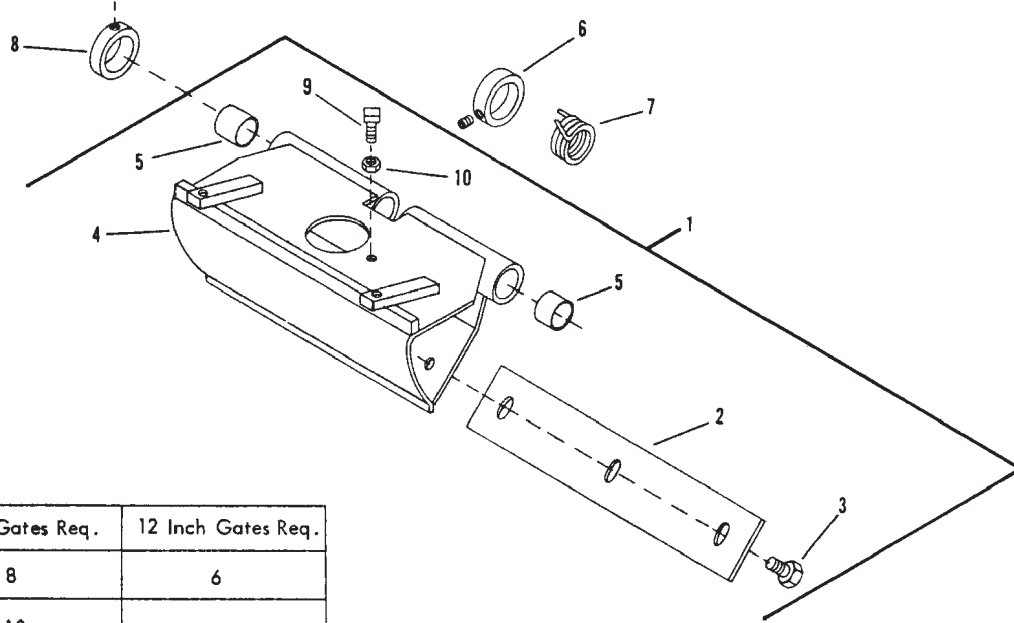
REF.	PART NO.	QTY.	DESCRIPTION	REF.	PART NO.	QTY.	DESCRIPTION
1	7430202	1	CYLINDER SEAL KIT				
2	7430203	1	CYLINDER BALL STUD KIT				
3	7430204	1	BODY SEAL KIT				
4	7430205	1	VALUE BALL STUD				
5	7430206	1	BALL STUD NUT				
6	7430207	1	BALL STUD DUST COVER				
7	6600714	1	HUPPER POWER UNIT=COMPLETE				

Power Steering Unit (S/N 063 thru)



REF.	PART NO.	QTY.	DESCRIPTION	REF.	PART NO.	QTY.	DESCRIPTION
1	3180186	7	SCREW 12 PT HD 1/4 NC X 2 1/8				
2	3180191	1	END CAP				
3	3180175	1	GEROTOR SET				
4		1	CONTROL SLEEVE-INCLUDED WITH ITEM 29				
5	3180174	1	PLATE				
6	3180186	1	SPACER				
7	3180176	1	DRIVE				
8		1	VALVE HOUSING-INCLUDED WITH ITEM 29				
9	3180184	1	O-RING				
10	3180182	1	COMPRESSION SPRING				
11	3180172	1	STEEL BALL 1/4 DIA				
12	3180183	1	SEAT CHECK				
13	3180190	1	PLUG				
14		1	CONTROL SPOOL-INCL WITH ITM 29				
15	3180171	1	CENTERING PIN				
16	3180173	6	CENTERING SPRING				
17	3180179	1	HUSHING				
18	3180187	1	O-RING				
19	3180185	1	QUAD RING SEAL				
20	3180177	1	PLATE				
21	3180178	1	OIL SEAL				
22	3180189	4	HEX BOLT 12 PR HD 5/16 NC X 5/8				
23	3180169	1	TUBE AND FLANGE				
24	3180170	1	SHAFT ASM				
25	3180165	2	SNAP RING				
26	3180167	1	BEARING ASM				
27	3180168	1	RETAINING RING				
28	3180166	4	HEX BOLT 12 PT HD 3/8 NC X 3/4				
29	3180181	1	CONTROL PARTS ASSEMBLY				
30	3180219	1	POWER STEERING ASM-COMplete				

Spreader Gates - 6 & 12 Inch
 S/N 162 thru K3462, K-3464 thru K3473, K-3475 thru K-3481,
 K3483, K3484, K3490, K3518, K-3522, K-3524, K3531 & K-3534



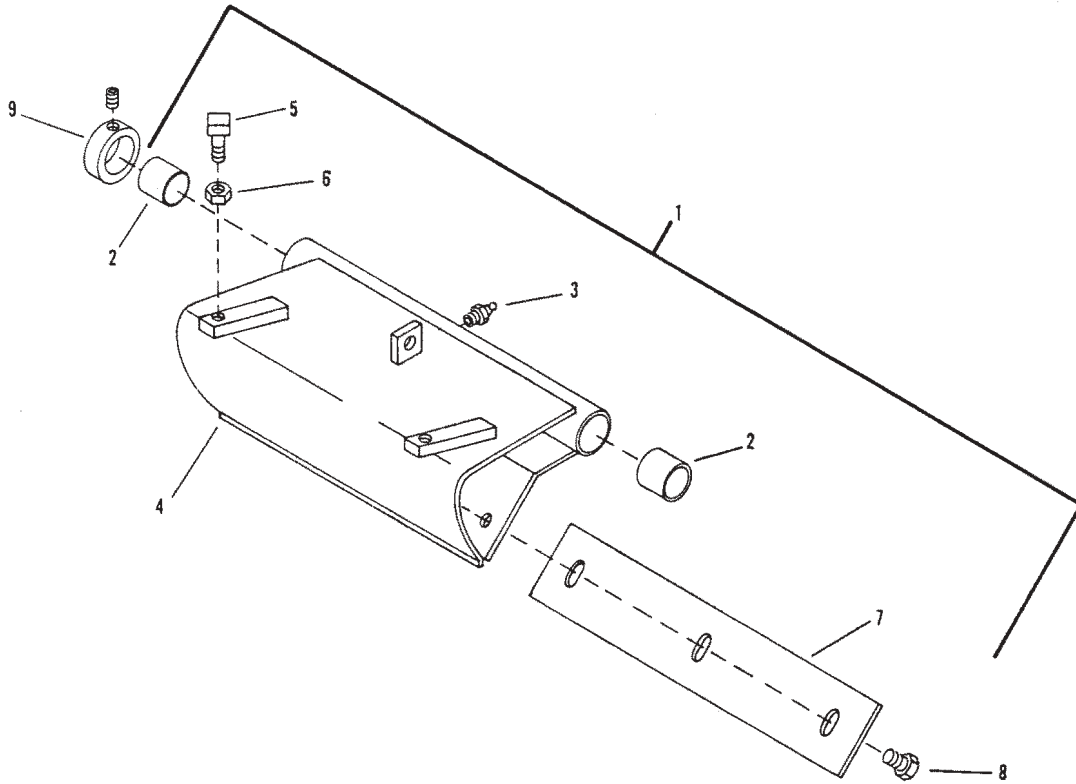
Hopper Size	6 Inch Gates Req.	12 Inch Gates Req.
10 Ft.	8	6
11 Ft.	10	6
12 Ft.	12	6
13 Ft.	14	6
14 Ft.	12	8

REF.	PART NO.	QTY.	DESCRIPTION	REF.	PART NO.	QTY.	DESCRIPTION
1	3140377	AR	12 INCH GATE ASM				
	3140376	AR	6 INCH GATE ASM				
2	3140264	AR	12 INCH SCRAPER PLATE				
	3140268	AR	6 INCH SCRAPER PLATE				
3	3100475	AR	HEX BOLT 3/8 NC X 3/4				
4	3140379	AR	FRAME=12 INCH GATE				
	3140378	AR	FRAME=6 INCH GATE				
5	6000732	2	GATE PIVOT BEARING				
6	3140279	1	SET COLLAR (INCL SETSCREW)				
7	3140242	1	SPRING				
8	3150120	AR	BUSHING RETAINER (6 INCH GATE ONLY)				
9	0102458	AR	SETSCRW 3/8 NC X 1 1/2				
10	0120377	AR	HEX NUT 3/8 NC				

AR=AS REQUIRED

Spreader Gates - 6 & 12 Inch

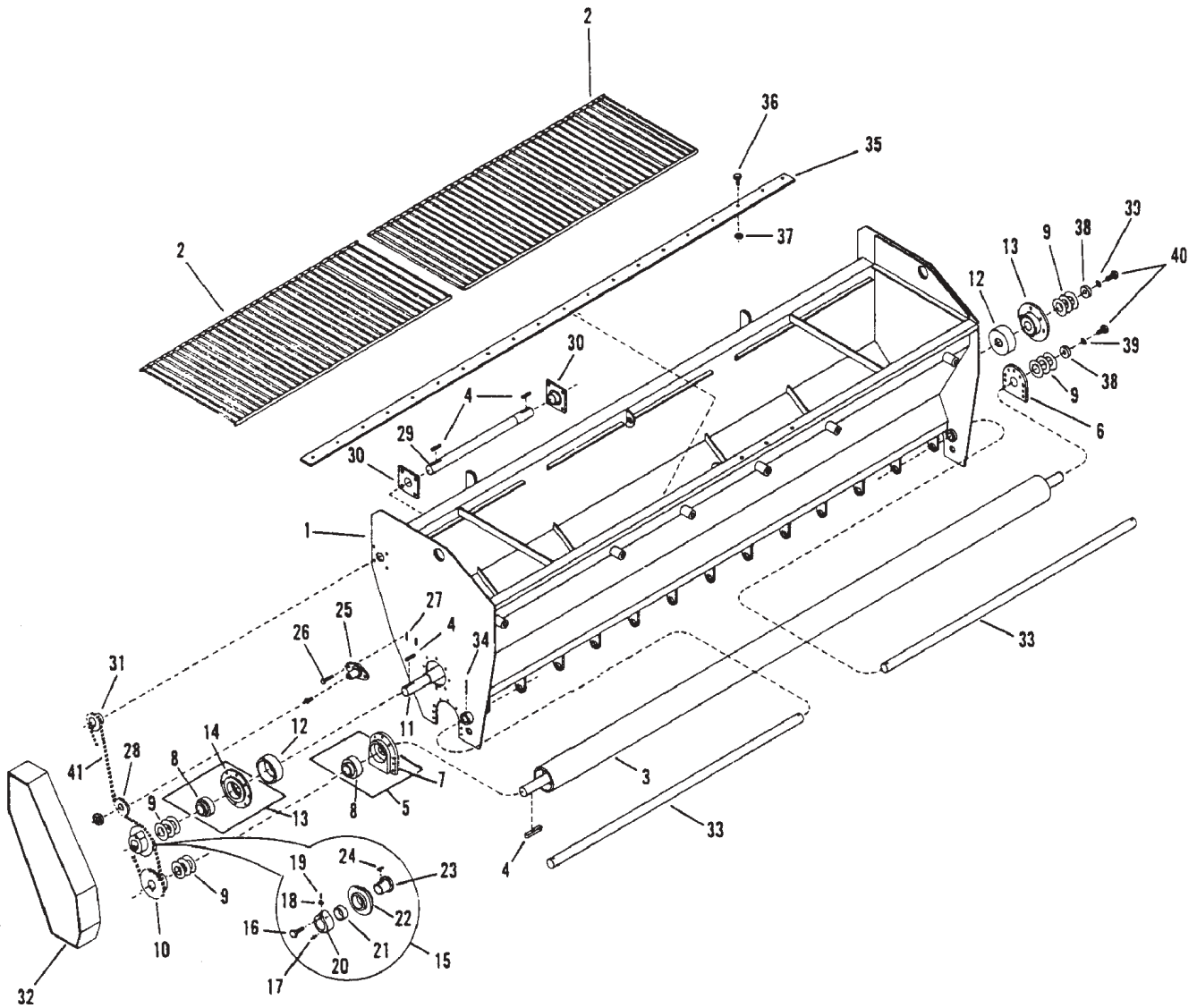
S/N K3463, K-3474, K-3482, K-3485 thru K-34 89, K-3491 thru K-3517,
K-3519, K-3520, K-3523, K-3525 thru K-3533, K-3535 thru K-3813



REF.	PART NO.	QTY.	DESCRIPTION	REF.	PART NO.	QTY.	DESCRIPTION
1	3140499	AR	GATE ASM-12 IN				
	3140498	AR	GATE ASM-6 IN NS				
2	6000732	2	GATE PIVOT BEARING				
3	9411027	1	LUBE FITTING 1/4-78				
4	3140501	AR	GATE FRAME-12 IN				
	3140500	AR	GATE FRAME-6 IN				
5	0120458	AR	SO HD SET SCREW 3/8 NC X 1 1/2				
6	0120377	AR	HEX NUT 3/8 NC				
7	3140264	AR	SCRAPER PLATE-12 IN				
	3140268	AR	SCRAPER PLATE-6 IN				
8	3100475	AR	SPL HEX BOLT 3/8 NC X 3/4				
9	3150120	AR	BUSHING RETAINER (6 IN GATES ONLY)				

AR=AS REQUIRED
NS=NOT SHOWN

Spread Hopper Frame And Drive



Spread Hopper Frame And Drive

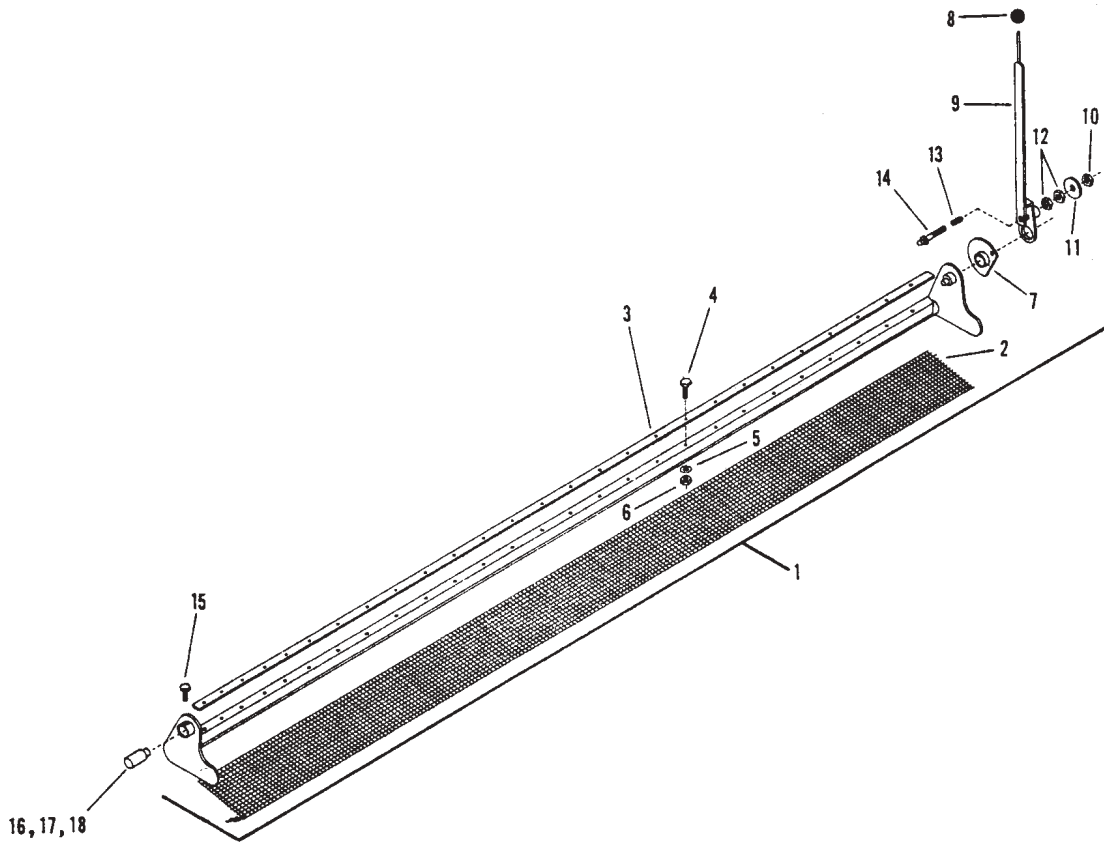
REF.	PART NO.	QTY.	DESCRIPTION	REF.	PART NO.	QTY.	DESCRIPTION
1	3140460	1	HOPPER FRAME ASM-10 FT	35	3140364	1	SCRAPER PLATE-10 FT
	3140461	1	HOPPER FRAME ASM-11 FT		3140365	1	SCRAPER PLATE-11 FT
	3140462	1	HOPPER FRAME ASM-12 FT		3140366	1	SCRAPER PLATE-12 FT
	3140463	1	HOPPER FRAME ASM-13 FT		3140367	1	SCRAPER PLATE-13 FT
	3140464	1	HOPPER FRAME ASM-14 FT		3140442	1	SCRAPER PLATE-14 FT
2	3140113	2	TOP SCREEN-10 FT	36	0121887	AR	HEX BOLT 1/4 NC X 3/4
	3140114	2	TOP SCREEN-11 FT	37	0124818	AR	LOCK NUT 1/4 NC
	3140115	2	TOP SCREEN-12 FT	38	3140404	2	DISC
	3140116	2	TOP SCREEN-13 FT	39	0120384	2	LOCK WASHER 1/2
	3140430	2	TOP SCREEN-14 FT	40	0122408	2	HEX BOLT 1/2 NC X 1
3	3140096	1	SPREAD ROLL-10 FT	41	3140278	1	CHAIN £80 X 1 IN PITCH X 93 LG (SEE NOTE 1 BELOW)
	3140097	1	SPREAD ROLL-11 FT		6430221	1	CHAIN £80 X 1 IN PITCH X 95 LG (SEE NOTE 2 BELOW)
	3140018	1	SPREAD ROLL-12 FT				
	3140098	1	SPREAD ROLL-13 FT				
	3140437	1	SPREAD ROLL-14 FT				
4	3170061	3	KEY 3/8 SQ X 2		3140104	1	OFFSET LINK
5	3140394	1	RIGHT HOUSING ASM		3140105	1	MASTER LINK
6	3140395	1	LEFT HOUSING ASM				
7	3140023	1	RIGHT HOUSING				
	3140024	1	LEFT HOUSING				
8	3140083	4	CARTRIDGE BEARING				
9	3140401	AR	SPACER 1/16 THICK				
	3140402	AR	SPACER 1/8 THICK				
	3140403	AR	SPACER 3/8 THICK				
10	3140397	1	SPROCKET AND BUSHING ASM (SEE NOTE 1 BELOW)				
	3140249	1	SPROCKET AND BUSHING ASM (SEE NOTE 2 BELOW)				
	3140088	1	BUSHING-INCLUDED WITH ITEM 10 (SEE NOTE 1 BELOW)				
	3110054	1	BUSHING-INCLUDED WITH ITEM 10 (SEE NOTE 2 BELOW)				
11	3140079	1	AGITATOR-10 FT				
	3140078	1	AGITATOR-11 FT				
	3140072	1	AGITATOR-12 FT				
	3140077	1	AGITATOR-13 FT				
	3140475	1	AGITATOR-13 FT S/N K3400-K3403				
	3140427	1	AGITATOR-14 FT				
12	3140030	2	BELL HOUSING				
13	3140396	2	HOUSING ASSEMBLY				
14	3140038	2	BEARING HOUSING				
15	3140243	1	AGITATOR DISCONNECT DRIVE				
16	3140248	1	BOLT				
17	0271287	1	LUBE FITTING 1/4 NPT				
18	0124818	1	JAM NUT 1/4 NC				
19	0223022	1	HALF DOG SOCKET HD SET SCREW 1/4 NC X 5/8				
20	3140245	1	FEMALE DISCONNECT HOUSING				
21	3140247	1	BEARING				
22	3140246	1	SPROCKET				
23	3140244	1	MALE DISCONNECT HOUSING				
24	3110032	1	KEY 3/8 SQ X 1 1/4				
25	3140082	1	FIXED FLANGE TIGHTNER (INCL SET COLLAR AND LUBE FITTING)				
26	0120918	2	HEX BOLT 3/8 NC X 1 1/2				
27	3140189	1	IDLER BRACKET				
28	3140081	1	IDLER SPROCKET				
29	3140110	1	DRIVE SHAFT-10 FT				
	3140111	1	DRIVE SHAFT-11 FT				
	3140035	1	DRIVE SHAFT-12 FT				
	3140112	1	DRIVE SHAFT-13 FT				
	3140429	1	DRIVE SHAFT-14 FT				
30	3140094	2	FLANGE BEARING				
31	3140080	1	DRIVE SPROCKET				
32	3140250	1	CHAIN GUARD (SEE NOTE 1 BELOW)				
	3140494	1	CHAIN GUARD (SEE NOTE 2 BELOW)				
33	3140066	2	GATE SHAFT-10 FT				
	3140065	2	GATE SHAFT-11 FT				
	3140063	2	GATE SHAFT-12 FT				
	3140064	2	GATE SHAFT-13 FT				
	3140426	2	GATE SHAFT-14 FT				
34	0456860	2	ROLL PIN 5/16 DIA X 1 1/4				

NOTE 1 - THESE PARTS USED ON UNITS W/ S/N 162-K3462, K3464, K3473, K3475-K3481, K3483, K3484, K3490, K3518, K3521-K3522, K3524, AND K3534

NOTE 2 - THESE PARTS USED ON UNITS W/ S/N K3463, K3474, K3482, K3485-K3489, K3491-K3517, K3519, K3520, K3523, K3525-K3533, K3535 THRU PRESENT MODELS

AR=AS REQUIRED

Segregator Assembly - S/N 104 thru K-3813

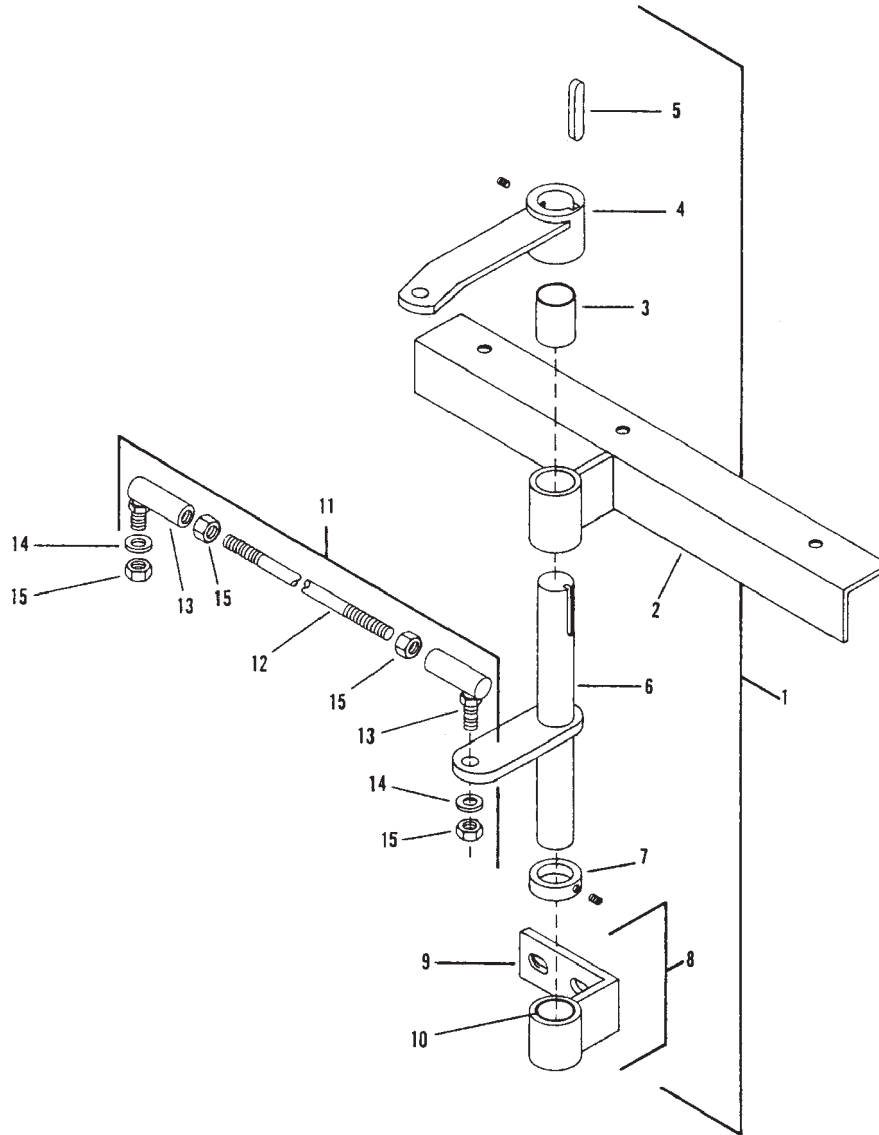


REF.	PART NO.	QTY.	DESCRIPTION	REF.	PART NO.	QTY.	DESCRIPTION
1	3140328	1	SEGREGATOR ASM-10 FT	18	0122408	2	HEX BOLT 1/2 NC X 1 (BOTH ENDS)
	3140329	1	SEGREGATOR ASM-11 FT	19	3170059	1	KEY 3/8 SQ X 1 3/4 NS
	3140330	1	SEGREGATOR ASM-12 FT	20	3140332	1	SEGREGATOR FRAME-10 FT
	3140331	1	SEGREGATOR ASM-13 FT		3140333	1	SEGREGATOR FRAME-11 FT
	3140440	1	SEGREGATOR ASM-14 FT		3140334	1	SEGREGATOR FRAME-12 FT
2	3100396	1	SCREEN-10 FT		3140335	1	SEGREGATOR FRAME-13 FT
	3100397	1	SCREEN-11 FT		3140439	1	SEGREGATOR FRAME-14 FT
	3100398	1	SCREEN-12 FT				
	3100231	1	SCREEN-13 FT				
	3140441	1	SCREEN-14 FT				
3	3140344	1	SCREEN BAR-10 FT				
	3140345	1	SCREEN BAR-11 FT				
	3140346	1	SCREEN BAR-12 FT				
	3140347	1	SCREEN BAR-13 FT				
	3140348	1	SCREEN BAR-14 FT				
4	0121893	AR	HEX BOLT 1/4 NC X 7/8				
5	0120380	AR	LOCK WASHER 1/4				
6	0220069	AR	HEX NUT 1/4				
7	3140363	1	PLATE				
8	3140029	1	RUBBER KNOB				
9	3140358	1	HANDLE				
10	9418871	1	LOCK NUT 3/8 NC				
11	3120056	1	WASHER				
12	0220071	2	HEX NUTS 3/8 NC				
13	3120059	1	SPRING				
14	3120060	1	STUD				
15	0121852	1	HEX BOLT 3/8 NC X 1/2				
16	3140350	1	PIVOT PIN				
17	3140404	2	DISC (BOTH ENDS)				

AR=AS REQUIRED
NS=NOT SHOWN

Gate Actuating Lever Assembly

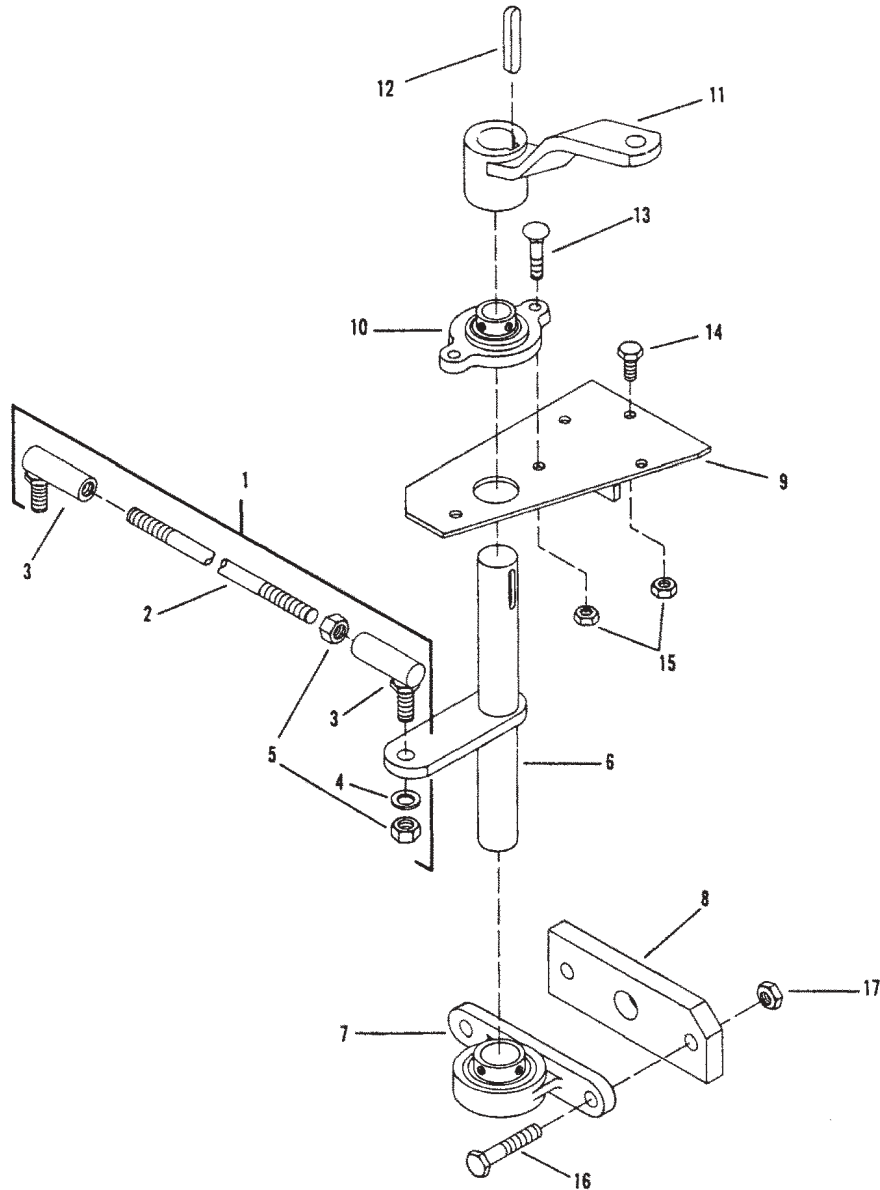
S/N 162 thru K-3462, K-3464 thru K-3473, K-3475 thru K3481, K3483,
K-3484, K-3490, K-3518, K-3521, K-2522, K-2524 & K-3434.



REF.	PART NO.	QTY.	DESCRIPTION	REF.	PART NO.	QTY.	DESCRIPTION
1	7850013	1	GATE ACTUATING LEVER ASM				
2	3140313	1	BRACKET ASM-INCL ITEM 3				
3	3140315	1	BUSHING				
4	3140405	1	LEVER				
5	3170061	1	KEY 3/8 SQUARE X 2				
6	3140310	1	SHAFT ASSEMBLY				
7	6000171	1	SET COLLAR-INCL SET SCREW				
8	3140304	1	BRACKET ASSEMBLY				
9	3140305	1	BRACKET				
10	3140309	1	BUSHING				
11	3140400	1	LINKAGE ASSEMBLY				
12	3140301	1	LINKAGE ROD				
13	6100088	2	BALL JOINT 5/8 NF				
14	0121574	2	LOCK WASHER 5/8				
15	0121358	4	HEX NUT 5/8 NF				

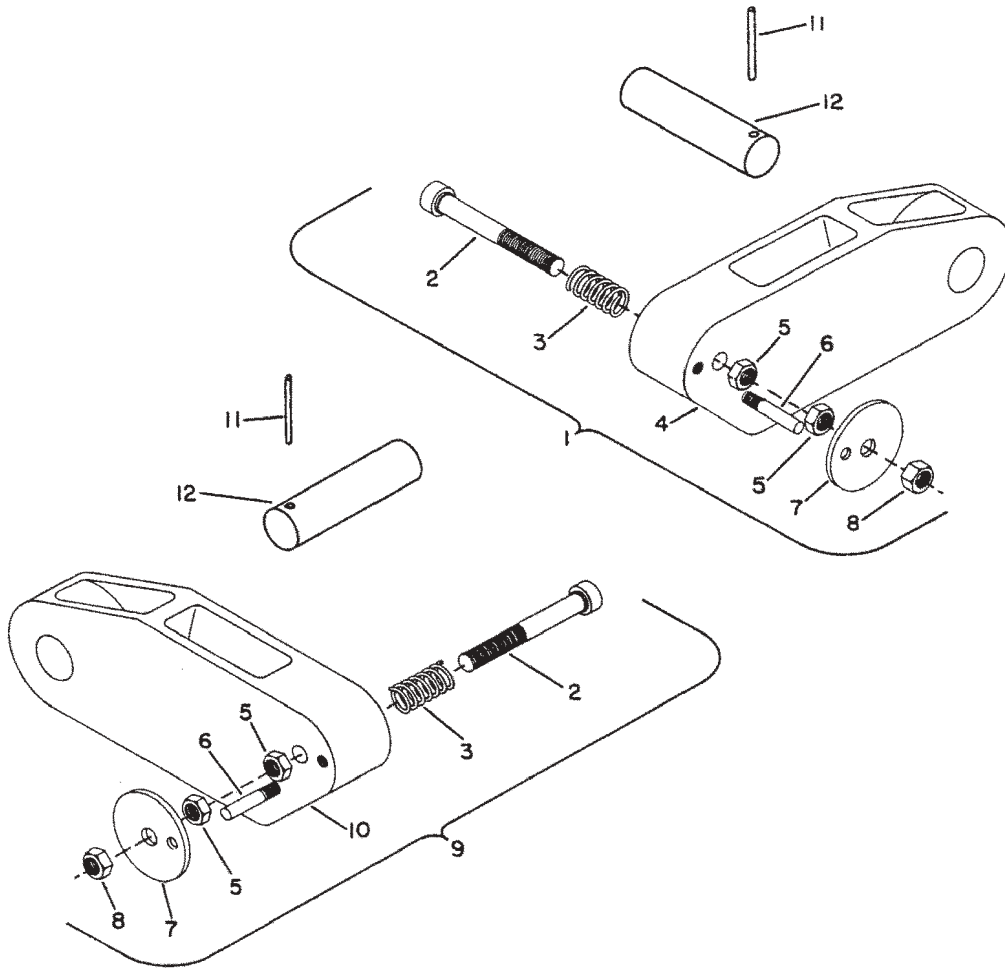
Gate Actuating Lever Assembly

S/N K-3463, K-3474, K-3482, K-3485, thru K-3489, K-3491 thru K-3517,
K-3519, K-3520, K-3523, K-3525 thru K-3533, K-3535 thru K-3813.



REF.	PART NO.	QTY.	DESCRIPTION	REF.	PART NO.	QTY.	DESCRIPTION
1	3140544	1	LINKAGE ASM				
2	3140555	1	LINKAGE ROD				
3	6000408	2	BALL JOINT 5/8 NF				
4	0121574	2	LOCK WASHER 5/8				
5	0121358	2	HEX NUT 5/8 NF				
6	3140310	1	SHAFT ASM				
7	6420066	1	PILLOW BLOCK BEARING				
8	3140553	1	BOTTOM BEARING SPACER				
9	3140550	1	TOP BEARING MOUNTING PLATE				
10	6420067	1	FLANGE BEARING				
11	3140405	1	LEVER				
12	3170061	1	KEY 3/8 SQ X 2				
13	6000737	2	CARRIAGE BOLT 3/8 X 1 1/2				
14	0120233	3	HEX CAP SCREW 3/8 X 1				
15	9418871	5	LOCK NUT 3/8				
16	0122466	2	HEX CAP SCREW 1/2 X 2 1/4				
17	6100068	2	LOCK NUT 1/2				

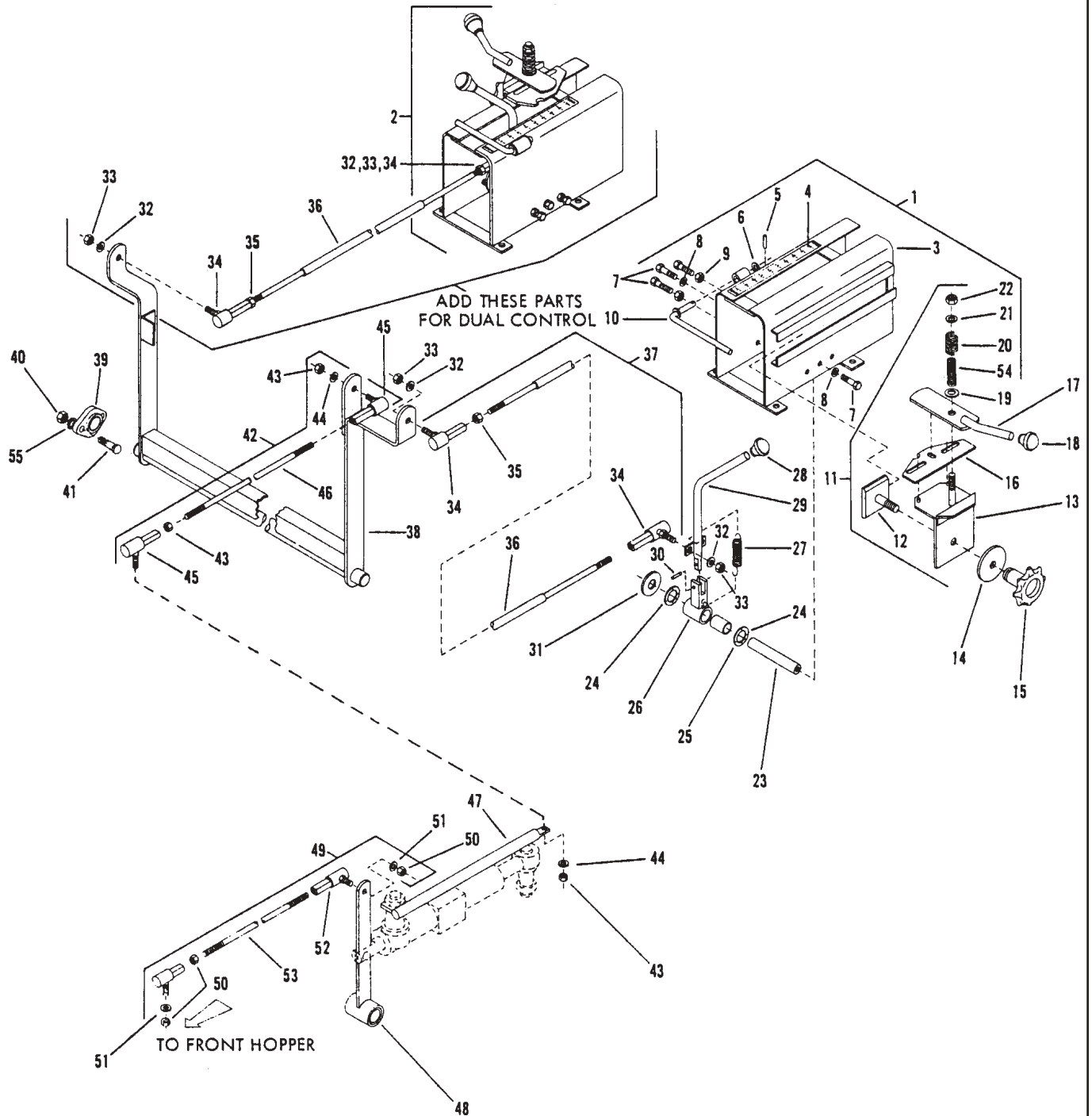
Latch Mechanisms - S/N 063 thru K-3813



REF.	PART NO.	QTY.	DESCRIPTION	REF.	PART NO.	QTY.	DESCRIPTION
1	3120101	1	Latch Assy. - Left	10	3120039	1	Locking Latch - Right
2	3120060	2	Stud	11	0457009	2	Spring Pin - 3/16" Dia. x 1-3/4"
3	3120059	2	Spring	12	3100189	2	Latch Shaft
4	3120054	1	Locking Latch - Left				
5	0220071	2	Hex Nut - 3/8" N.C.				
6	3120058	2	Stud				
7	3120056	2	Washer				
8	9418871	2	Lock Nut - 3/8" N.C.				
9	3120055	1	Latch Assy. - Right				

Specify Unit Serial No., Part No., & Part Description

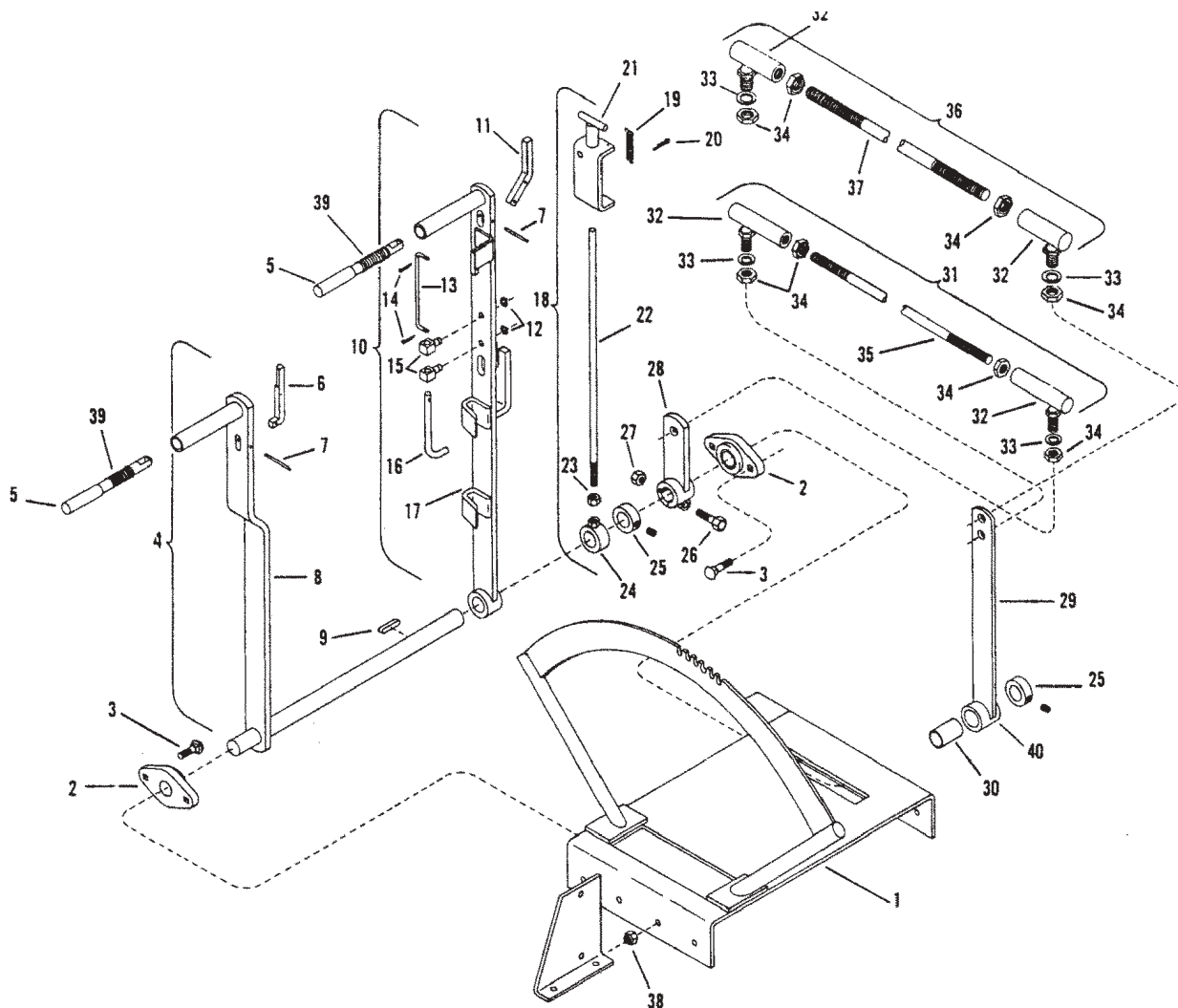
Hopper Control Left Hand Drive & Dual Control



Hopper Control Left Hand Drive & Dual Control

REF.	PART NO.	QTY.	DESCRIPTION	REF.	PART NO.	QTY.	DESCRIPTION
1	3190313	1	LEFT OPERATOR ASM				
2	3190314	1	RIGHT OPERATOR ASM				
3	3190315	1	FRAME ASM=LEFT				
	3190316	1	FRAME ASM=RIGHT				
4	3100712	1	OPERATOR POSITION SCALE				
5	0457008	1	SPRING PIN 3/16 X 1 1/2				
6	0446363	1	WASHER 5/16				
7	0122007	4	CAPSCREW 5/16 NC X 3/4				
8	0120214	2	LOCKWASHER 5/16				
9	0120376	2	HEX NUT 5/16 NC				
10	3190367	1	LOCKOUT BAR				
11	3190323	1	SLIDE ASM=LEFT				
	3190324	1	SLIDE ASM=RIGHT				
12	3190334	1	CLAMP PLATE AND PIN ASM				
13	3190330	1	BASE ASM				
14	3190337	1	REINFORCEMENT DISC				
15	3300120	1	HANDWHEEL				
16	3190325	1	STOP PLATE=LEFT				
	3190326	1	STOP PLATE=RIGHT				
17	3190328	1	LEVER ASM=LEFT				
	3190327	1	LEVER ASM=RIGHT				
18	3140029	1	RUBBER KNOB				
19	0120388	1	WASHER 3/8				
20	3360192	1	SPRING				
21	0446363	1	WASHER 5/16				
22	9418871	1	LOCK NUT 3/8 NC				
23	3190345	1	PIVOT SHAFT				
24	3190352	2	SPACER				
25	6000264	1	OILITE BEARING 7/8 X 1 X 1 1/2				
26	3190342	1	HUB ASSEMBLY				
27	3190350	1	SPRING				
28	3140029	1	RUBBER KNOB				
29	3190339	1	HANDLE ASM				
30	0443139	1	DRIVE PIN 5/32 X 3/4				
31	3190353	1	SPACER				
32	0120383	2	LOCK WASHER 7/16				
33	0271506	2	HEX NUT 7/16				
34	6100126	2	BALL JOINT 7/16				
35	0272123	1	JAM NUT 7/16				
36	3190347	1	LINKAGE				
37	3190346	1	REAR LINKAGE ASSEMBLY (INCLUDING ITEMS 32 THRU 36)				
38	3190299	1	CROSS SHAFT ASM				
39	3100312	2	FLANGE BEARING				
40	0120376	4	HEX NUT 5/16 NC				
41	3100619	4	CARRIAGE BOLT 5/16 X 1 1/4				
42	3190302	1	CONTROL LINKAGE ASSEMBLY (INCLUDING ITEMS 43 THRU 46)				
43	0120369	3	HEX NUT 3/8 NF				
44	0120382	2	LOCK WASHER 3/8				
45	6100138	2	BALL JOINT				
46	3190303	1	LINKAGE				
47	3190287	1	CONTROL ROD				
48	3190285	1	PIVOT ARM ASM				
49	3190356	1	FRONT LINKAGE ASM				
50	0121358	3	HEX NUT 5/8				
51	0121574	2	LOCK WASHER 5/8				
52	6100249	2	BALL JOINT				
53	3190357	1	LINKAGE				
54	3100073	1	SPRING				
55	0120214	4	LOCK WASHER 5/16				

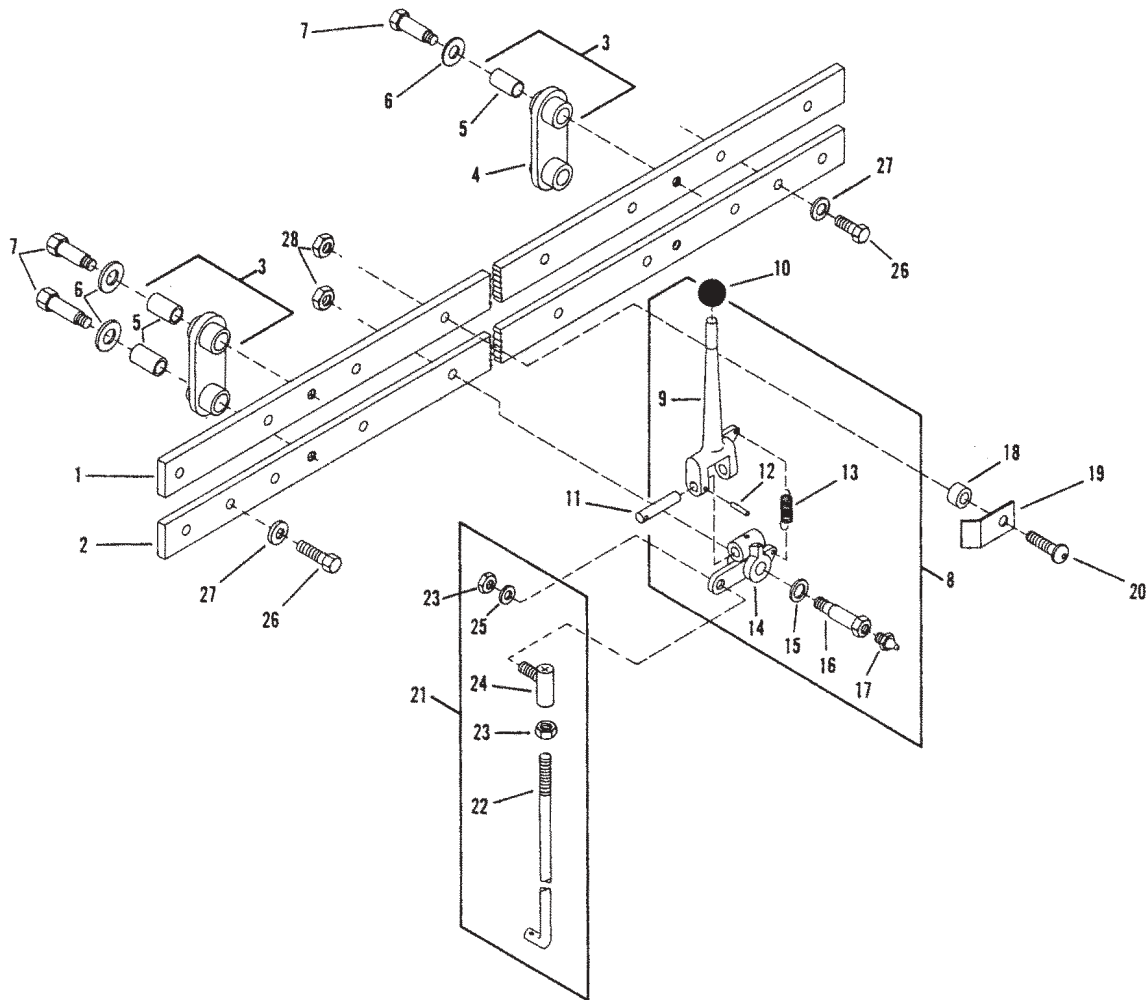
Gate Control Installation - S/N 162 thru K-3813



REF.	PART NO.	QTY.	DESCRIPTION	REF.	PART NO.	QTY.	DESCRIPTION
1	3150198	1	GATE CONTROL FRAME	25	3100061	1	SET COLLAR 1 IN DIA SHAFT
2	3100312	2	FLANGE BEARING 1 INCH	26	0120918	1	HEX BOLT 3/8 NC X 1 1/2
3	3100619	4	CARRIAGE BOLT 5/16 NC X 1 1/4	27	9*18871	1	LOCK NUT 3/8 NC
4	7850017	1	GATE ACTIVATING DEVICE (INCL REF 5-8)	28	3150205	1	ARM ASM
5	3150237	2	PLUNGER ASM	29	3150190	1	PIVOT ARM ASM
6	3150316	1	LEVER RELEASE	30	3150189	1	BUSHING
7	0*57008	2	ROLL PIN 3/16 X 1 1/2	31	3150379	1	CONTROL LINKAGE
8	315020*	1	SHAFT ASM	32	6000*08	4	BALL JOINT 5/8
9	3170062	1	KEY 1/4 SQ X 1 1/4	33	0131140	4	LOCK WASHER 5/8
10	7850018	1	GATE SPACING DEVICE	34	0121358	8	HEX NUT 5/8 NF
11	3150375	1	LEVER RELEASE	35	3150326	1	CONTROL LINK
12	6000*40	2	SNAP RING 3/8	36	3150380	1	GATE LINKAGE
13	315022*	1	LIFTING LINKAGE	37	3150328	1	GATE LINK
14	0112526	2	COTTER PIN 1/16 X 3/8	38	9*189*3	4	LOCK NUT 5/16 NC
15	3150222	2	STUD	39	3150177	2	SPRING
16	3150218	1	LOCKING PIN	40	3150188	1	ARM ASM WITH BUSHING
17	3150208	1	HANDLE ASM				
18	7850019	1	STOPPING DEVICE				
19	3330050	1	SPRING				
20	0103363	1	COTTER PIN 3/32 X 1				
21	3150210	1	STOP ASM				
22	3150227	1	LINK				
23	0120376	1	HEX NUT 5/16 NC				
24	3150207	1	HUB ASM				

Gate Latch Controls

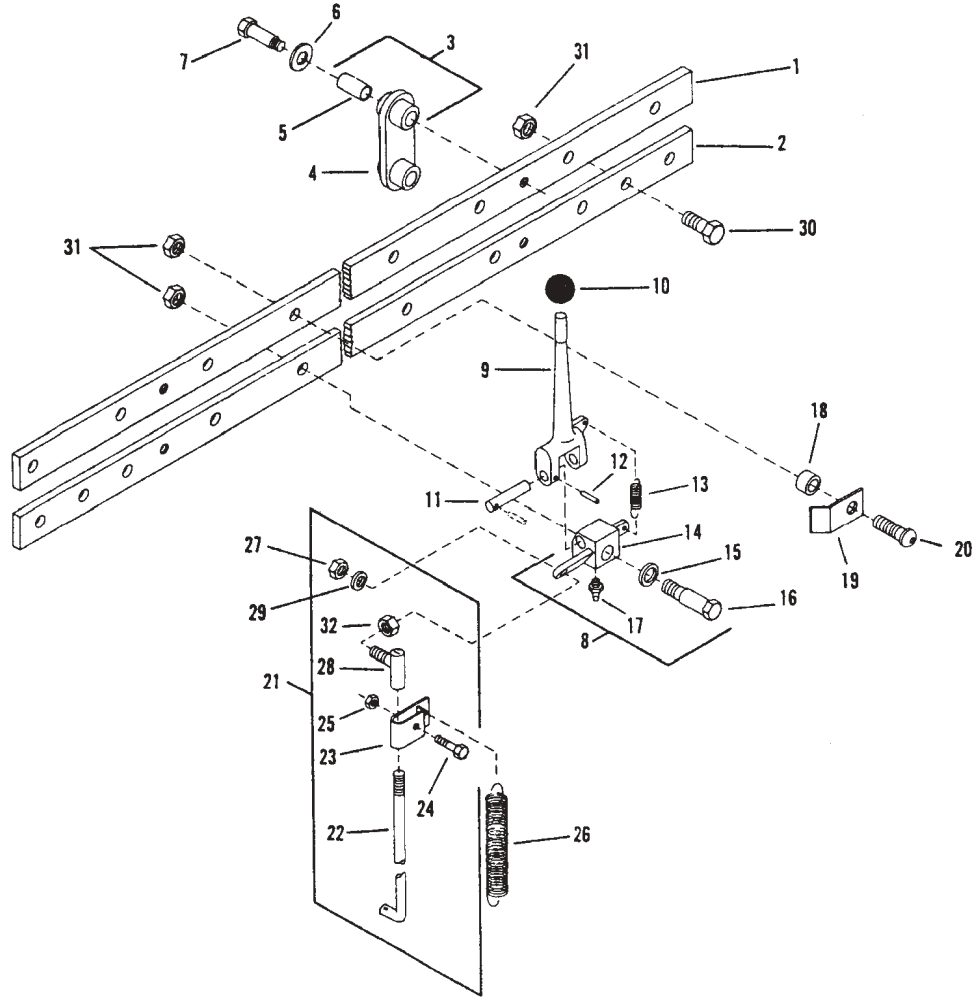
S/N 162 thru K-3462, K-3464 thru K-3473, K-3475 thru K-3481,
K-3483, K-3490, K-3518, K-3521, K-3522, K-3524 & K3534



REF.	PART NO.	QTY.	DESCRIPTION	REF.	PART NO.	QTY.	DESCRIPTION
1	3140290	1	TOP GATE BAR-10 FT	16	3140325	AR	BOLT (INCL ITEM 17)
	3140291	1	TOP GATE BAR 11 FT	17	0191758	AR	LUBE FITTING 1/8 NPT
	3140292	1	TOP GATE BAR 12 FT	18	3140303	AK	SPACER
	3140293	1	TOP GATE BAR 13 FT	19	3140372	AR	CATCH
	3140423	1	TOP GATE BAR 14 FT	20	3100293	AR	BUTTON HD SOCKET SCREW 1/2 X 2
	3140294	1	BOTTOM GATE BAR-10 FT	21	3140408	AK	GATE LIFT LINKAGE ASM
	3140295	1	BOTTOM GATE BAR 11 FT	22	3140389	AK	LINKAGE
	3140296	1	BOTTOM GATE BAR 12 FT	23	0271506	AR	HEX NUT 7/16 NF
	3140297	1	BOTTOM GATE BAR 13 FT	24	6100126	AR	BALL JOINT 7/16 NF
	3140424	1	BOTTOM GATE BAR 14 FT	25	0120383	AK	LOCK WASHER 7/16
3	3140289	AK	BAR LINK ASM	26	0120426	AR	HEX BOLT 1/2 NC X 1 1/4
4	3140287	AK	BAR LINK	27	0120384	AR	LOCK WASHER 1/2
5	3140288	AK	BUSHING	28	6100068	AR	LOCK NUT 1/2 NC
6	0131016	AR	FLAT WASHER 5/8				
7	3140298	AR	SHOULDER BOLT (SPECIAL)				
8	3140398	AR	GATE CATCH GROUP (INCLUDING ITEM 28)				
9	3140194	AR	GATE ARM YOKE (INCL ITEM 10)				
10	3140029	AR	RUBBER KNOB				
11	3140324	AK	GATE LATCH PIN				
12	0455481	AR	ROLL PIN 3/16 DIA X 1				
13	3140323	AR	SPRING				
14	3140193	AR	GATE PIVOT				
15	6100028	AR	FLAT WASHER				

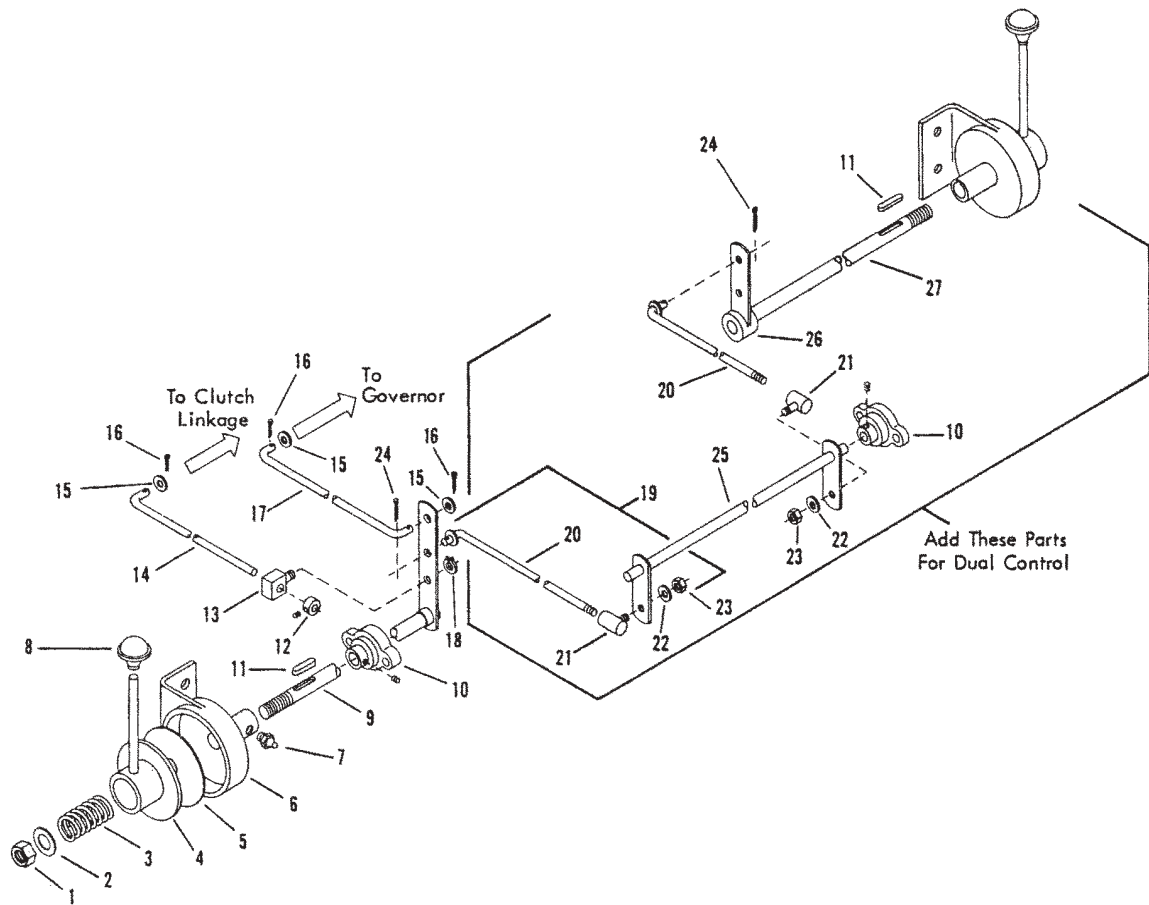
Gate Latch Controls

S/N K-3463, K-3474, K-3482, K-3485 thru K-3489, K-3491 thru K-3517
K-3519, K-35 20, K-3523, K-3525 thru K-3533, K-35 35 thru K-3813



REF.	PART NO.	QTY.	DESCRIPTION	REF.	PART NO.	QTY.	DESCRIPTION
1	3140290	1	TOP GATE BAR - 10 FOOT	15	6100028	AR	FLATWASHER
	3140291	1	TOP GATE BAR - 11 FOOT	16	3140574	AK	PIVOT BOLT
	3140292	1	TOP GATE BAR - 12 FOOT	17	9411027	AR	LUB FITTING 1/4 -28
	3140293	1	TOP GATE BAR - 13 FOOT	18	3140303	AR	SPACER
	3140423	1	TOP GATE BAR - 14 FOOT	19	3140372	AR	CATCH
2	3140294	1	BOTTOM GATE BAR - 10 FOOT	20	3100293	AK	BUTTON HEAD SOCKET SCREW
	3140295	1	BOTTOM GATE BAR - 11 FOOT	21	3140562	AR	GATE LIFT LINKAGE
	3140296	1	BOTTOM GATE BAR - 12 FOOT	22	3140563	AR	LINKAGE
	3140297	1	BOTTOM GATE BAR - 13 FOOT	23	3140492	AR	SPRING CLIP
	3140424	1	BOTTOM GATE BAR - 14 FOOT	24	0121893	AR	CAP SCREW 1/4 NC X 7/8
3	3140289	AR	BAR LINK ASSEMBLY	25	9418936	AR	LOCK NUT 1/4 NC
4	3140287	AR	BAR LINK	26	3360269	AR	GATE SPRING
5	3140288	AR	BUSHING	27	0271506	AR	HEX NUT 7/16 NF
6	0131016	AR	FLAT WASHER 5/8	28	6100126	AR	BALL JOINT 7/16 NF
7	3140298	AR	SHOULDER BOLT (SPECIAL)	29	0120383	AR	LOCK WASHER 7/16
8	7215020	AR	PIVOT AND BOLT SET	30	0120426	AK	HEX BOLT 1/2 NC X 1 1/4
9	3140194	AR	GATE ARM YOKE	31	6100068	AR	LOCK NUT 1/2 NC
10	3140029	AR	RUBBER KNOB	32	0124934	AR	HEX JAM NUT 1/2 NF
11	3140324	AR	GATE LATCH PIN				
12	0453481	AR	ROLL PIN 3/16 DIAMETER X 1				
13	3140323	AR	SPRING				
14	3140193	AR	GATE PIVOT				

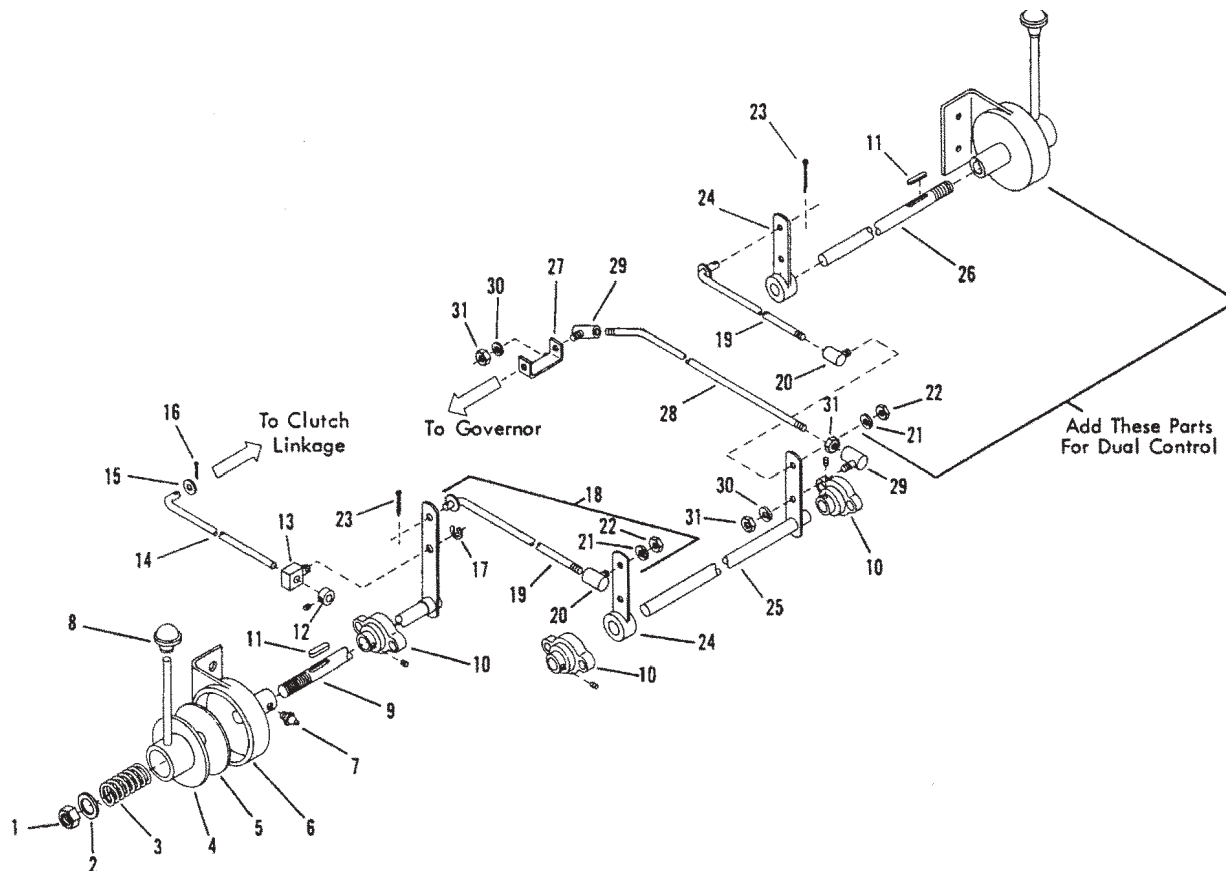
Throttle Control - IHC Gasoline Engine



REF.	PART NO.	QTY.	DESCRIPTION	REF.	PART NO.	QTY.	DESCRIPTION
1	0120378	AK	NUT				
2	0120396	AK	WASHER				
3	3100073	AK	SPRING				
4	3100549	AK	THROTTLE HOUSING-MALE				
5	3100072	AK	BRASS GASKET				
6	3100546	AK	THROTTLE HOUSING-FEMALE				
7	9411027	AK	LUBE FITTING 1/4-28				
8	3140029	AK	RUBBER KNOB				
9	3100519	1	THROTTLE SHAFT AND ARM ASM				
10	3150176	AK	FLANGE BEARING 3/4				
11	3100545	AK	KEY 3/16 SQ X 5/8				
12	3150225	1	SET COLLAR (INCL SET SCREW)				
13	3150222	1	STUD				
14	3150223	1	THROTTLE RETARDER SHAFT				
15	0120388	3	WASHER 7/16				
16	0103372	3	CUTTER PIN 3/32 X 1/2				
17	3150430	1	THROTTLE LINKAGE				
18	6000440	1	SNAP RING				
19	3190074	AK	LINKAGE ASM (INCLUDING ITEMS 20-24)				
20	3190075	AK	LINKAGE				
21	9411010	AK	BALL JOINT 3/8				
22	0120326	AK	LOCKWASHER 3/8				
23	0120369	AK	HEX NUT 3/8 NF				
24	0107763	AK	CUTTER PIN 1/8 X 5/8				
25	3190126	1	SHAFT ASSEMBLY				
26	3190028	1	ARM ASSEMBLY				
27	3150217	1	THROTTLE SHAFT FAN CONTROL				

AR=AS REQUIRED

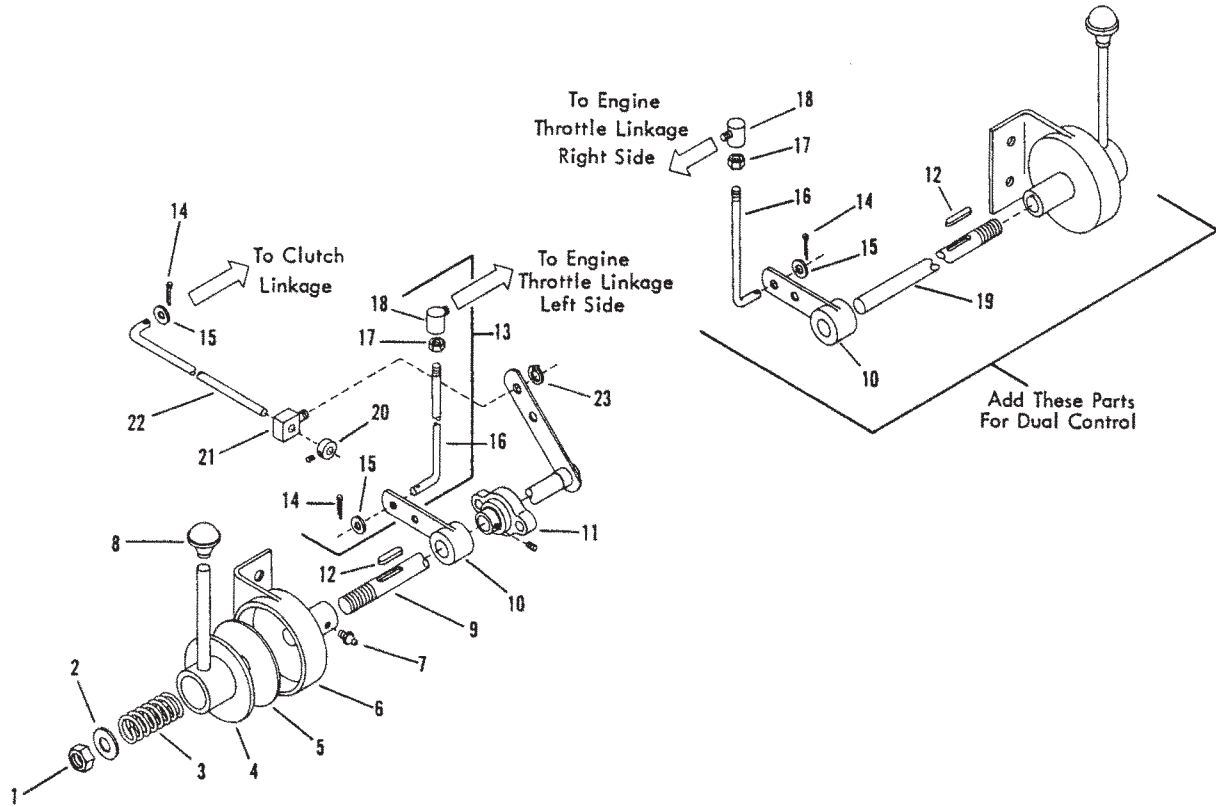
Throttle Control - IHC Diesel Engine



REF.	PART NO.	QTY.	DESCRIPTION	REF.	PART NO.	QTY.	DESCRIPTION
1	0120378	AR	NUT				
2	0120396	AR	WASHER				
3	3100073	AR	SPRING				
4	3100549	AR	THROTTLE HOUSING-MALE				
5	3100072	AR	BRASS GASKET				
6	3100546	AR	THROTTLE HOUSING-FEMALE				
7	9411027	AR	LUBE FITTING 1/4-28				
8	3140029	AR	RUBBER KNOB				
9	3100519	1	THROTTLE SHAFT AND ARM ASM				
10	3150176	3	FLANGE BEARING 3/4				
11	3100545	AR	KEY 3/16 SQ X 5/8				
12	3150225	1	SET COLLAR (INCL SETSCREW)				
13	3150222	1	STUD				
14	3150223	1	THROTTLE RETARDER SHAFT				
15	0120388	1	WASHER 7/16				
16	0103385	1	COTTER PIN 1/8 X 1				
17	6000440	1	SNAP RING				
18	3190074	AR	THROTTLE LINKAGE ASM (INCL ITEMS 19-23)				
19	3190075	AR	LINKAGE				
20	9411010	AR	BALL JOINT 3/8				
21	0120328	AR	LOCK WASHER 3/8				
22	0120369	AR	HEX NUT 3/8 NF				
23	0107763	AR	COTTER PIN 1/8 X 5/8				
24	3190028	AR	ARM ASSEMBLY				
25	3190025	1	SHAFT ASM				
26	3150217	1	THROTTLE SHAFT FAN CONTROL				
27	3190094	1	THROTTLE LINK				
28	3190032	1	LINKAGE-RIGHT				
29	9422787	2	BALL JOINT 5/16 NF				
30	0120214	2	LOCKWASHER 5/16				
31	0120368	3	HEX NUT 5/16 NF				

AR=AS REQUIRED

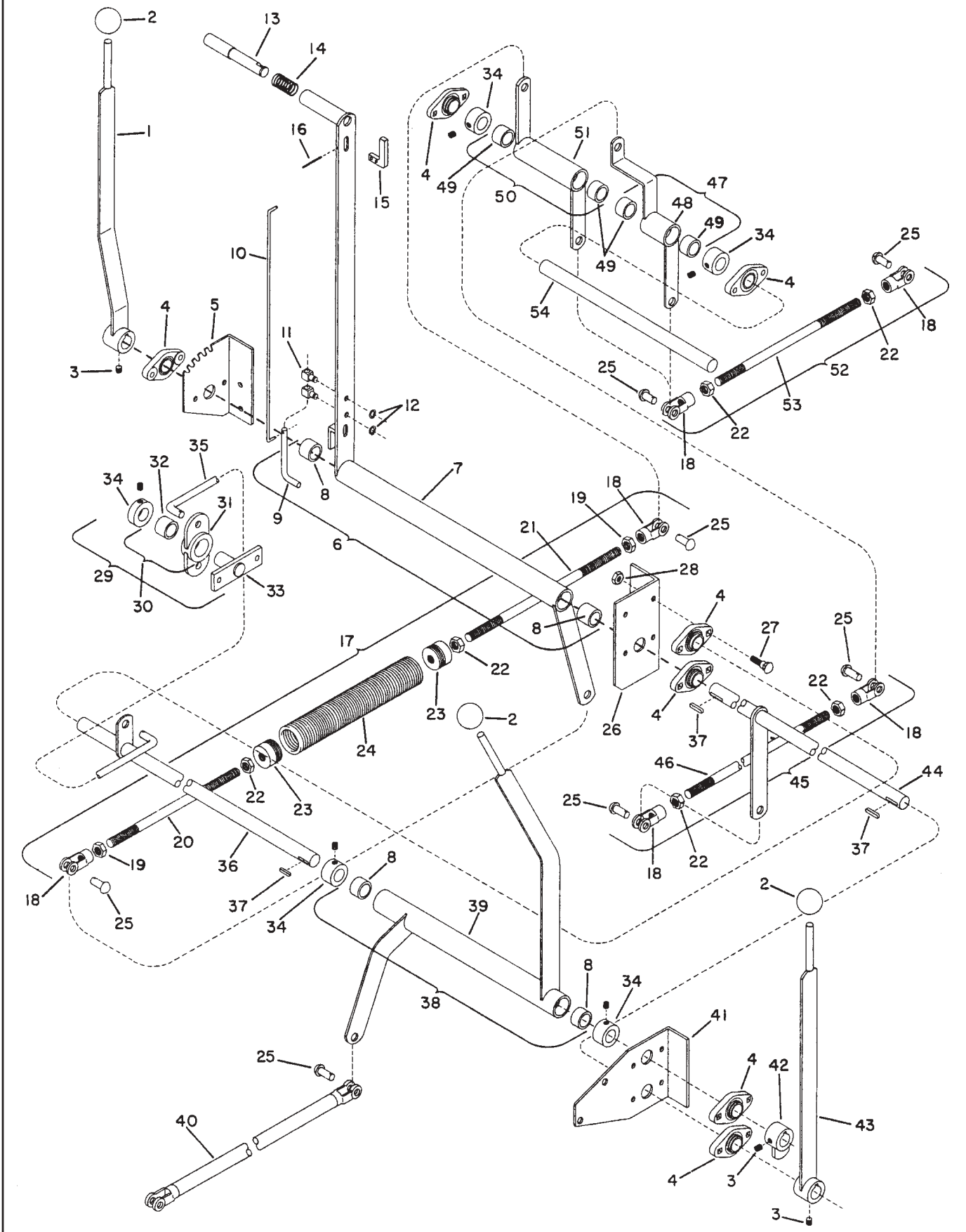
Throttle Control - GMC Diesel Engine



REF.	PART NO.	QTY.	DESCRIPTION	REF.	PART NO.	QTY.	DESCRIPTION
1	0120378	AR	NUT				
2	0120396	AR	WASHER				
3	3100073	AR					
4	3100549	AR	THROTTLE HOUSING-MALE				
5	3100072	AR	BRASS GASKET				
6	3100546	AR	THROTTLE HOUSING-FEMALE				
7	9411027	AR	LUBE FITTING 1/4-28				
8	3140029	AR	RUBBER KNOB				
9	3100519	1	THROTTLE SHAFT AND ARM ASM				
10	3190028	AR	ARM ASSEMBLY				
11	3150176	AR	FLANG BEARING 3/4				
12	3100545	AR	KEY 3/16 SQ X 5/8				
13	3150401	AR	LINKAGE ASM (INCL ITEMS 14-18)				
14	0107763	AR	COTTER PIN 1/8 X 5/8				
15	0120348	AR	WASHER 7/16				
16	3150398	AR	LINKAGE				
17	0120369	AR	HEX NUT 3/8 NF				
18	6100138	AR	BALL JOINT 3/8 NF				
19	3150217	1	THROTTLE SHAFT FAN CONTROL				
20	3150225	1	SET COLLAR (INCL SETSCREW)				
21	3150222	1	STUD				
22	3150223	1	THROTTLE RETARDER SHAFT				
23	6000440	1	SNAP RING				

AR=AS REQUIRED

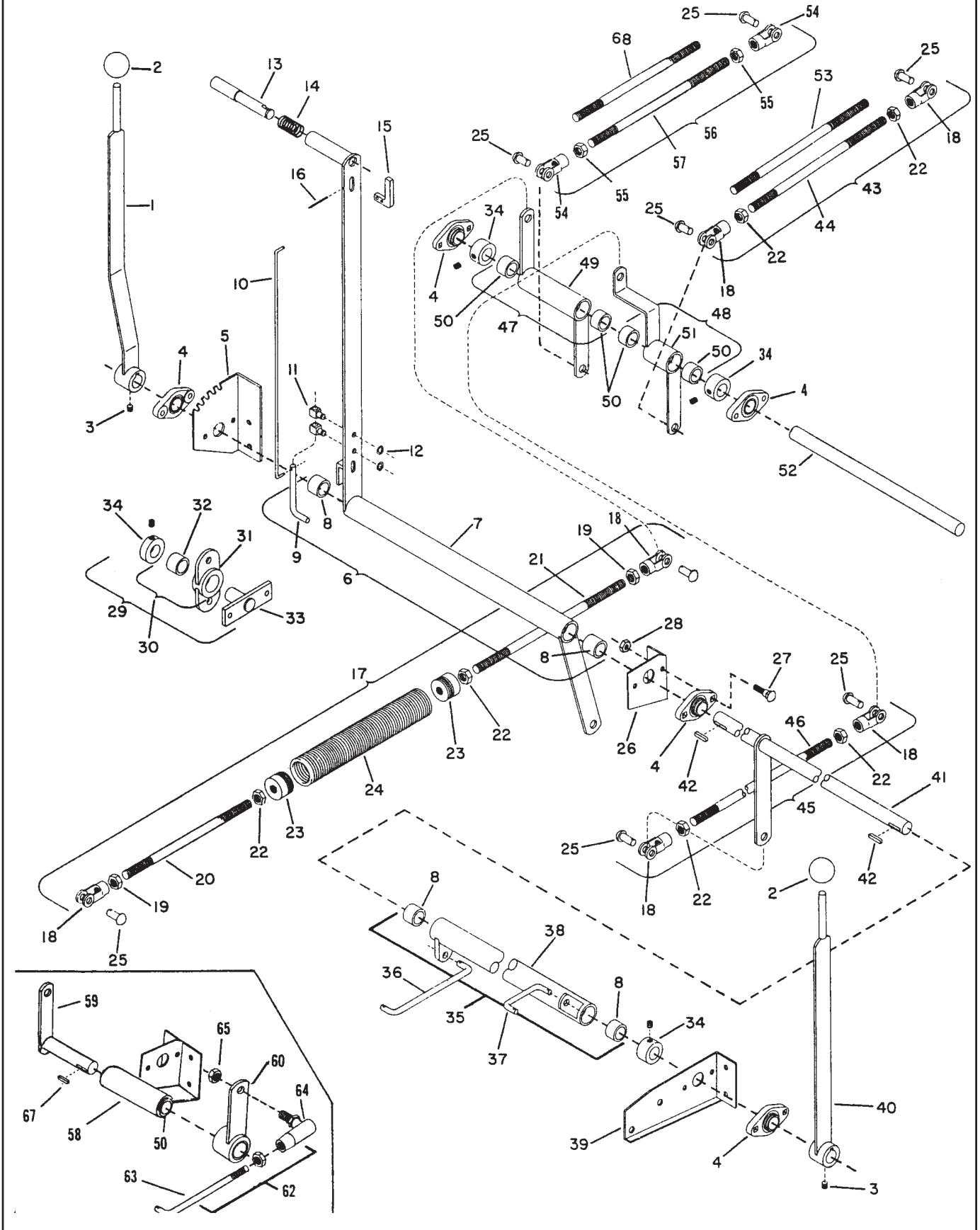
Hitch, Brake and Shuttle Transmission Controls - S/N 162 thru 227



Hitch, Brake and Shuttle Transmission Controls - S/N 162 thru 227

REF.	PART NO.	QTY.	DESCRIPTION	REF.	PART NO.	QTY.	DESCRIPTION
1	3150065	1	Lever - Right Dog				
2	3140029	3	Rubber Knob				
3	0102592	3	Skt. Hd. S. S. - 3/8" N.C. x 3/8"				
4	3100312	5	Flange Bearings - 1"				
5	3150293	1	Pick-up Gear				
6	7850014	1	Pick-up Lever Assy. - (includes items 7 thru 16)				
7	3150275	1	Lever Pick-up - (includes item 8)				
8	3150069	4	Bronze Bushing				
9	3150218	1	Locking Pin				
10	3150292	1	Lifting Link				
11	3150222	2	Stud				
12	6000440	2	External Snapping - 3/8"				
13	3150237	1	Plunger				
14	3150177	1	Spring				
15	3150219	1	Finger				
16	0457008	1	Roll Pin - 3/16" Dia. x 1-1/2"				
17	3130082	1	Spring Linkage Assy.				
18	3140117	6	Clevis				
19	0120238	2	Jam Nut - 1/2" N.C.				
20	3130080	1	Rod - Short				
21	3130081	1	Rod - Long				
22	0120378	6	Hex Nut - 1/2" N.C.				
23	3130059	2	Screw Plug				
24	3100078	1	Spring				
25	6000401	8	Pin - 1/2" Dia. x 1-1/2" Lg.				
26	3150295	1	Center Bracket				
27	3100619	10	Carriage Bolt - 5/16" N.C. x 1-1/4"				
28	9418943	10	Lock Nut - 5/16" N.C.				
29	3150238	1	Pivot Arm Assy. - (includes items 30 thru 35)				
30	3150241	1	Hub & Bearing				
31		1	Hub - (not serviced separately)				
32	3150247	1	Oilite Bushing				
33	3150244	1	Pin				
34	3100061	5	Set Collar - 1" Dia. Shaft				
35	3150239	1	Linkage				
36	3150285	1	Hand Brake Shaft Assy.				
37	6000005	3	Key - 1/4" Square x 1-1/4"				
38	3150280	1	Shuttle Shaft Assy.				
39		1	Lever & Arm Assy. - (not serviced separately)				
40	3150301	1	Shuttle Linkage				
41	3150294	1	Bracket - Left				
42	3150288	1	Hand Brake Hub				
43	3150283	1	Hitch Release Lever				
44	3150290	1	Hitch Release Shaft Assy.				
45	3130096	2	Linkage Assy.				
46	3130061	1	Arm				
47	3130073	1	Offset Hub Assy.				
48		1	Offset Hub - (not serviced separately)				
49	3150247	4	Bronze Bearing				
50	3130070	1	Straight Hub Assy.				
51		1	Straight Hub - (not serviced separately)				
52	3130089	2	Hitch Linkage				
53	3130062	2	Arm				
54	3130060	1	Shaft				

Hitch, Brake and Shuttle Transmission Controls
 S/N 228 thru K-3451, K-3455, K-3456, K-3458, K-3459 & K-3462

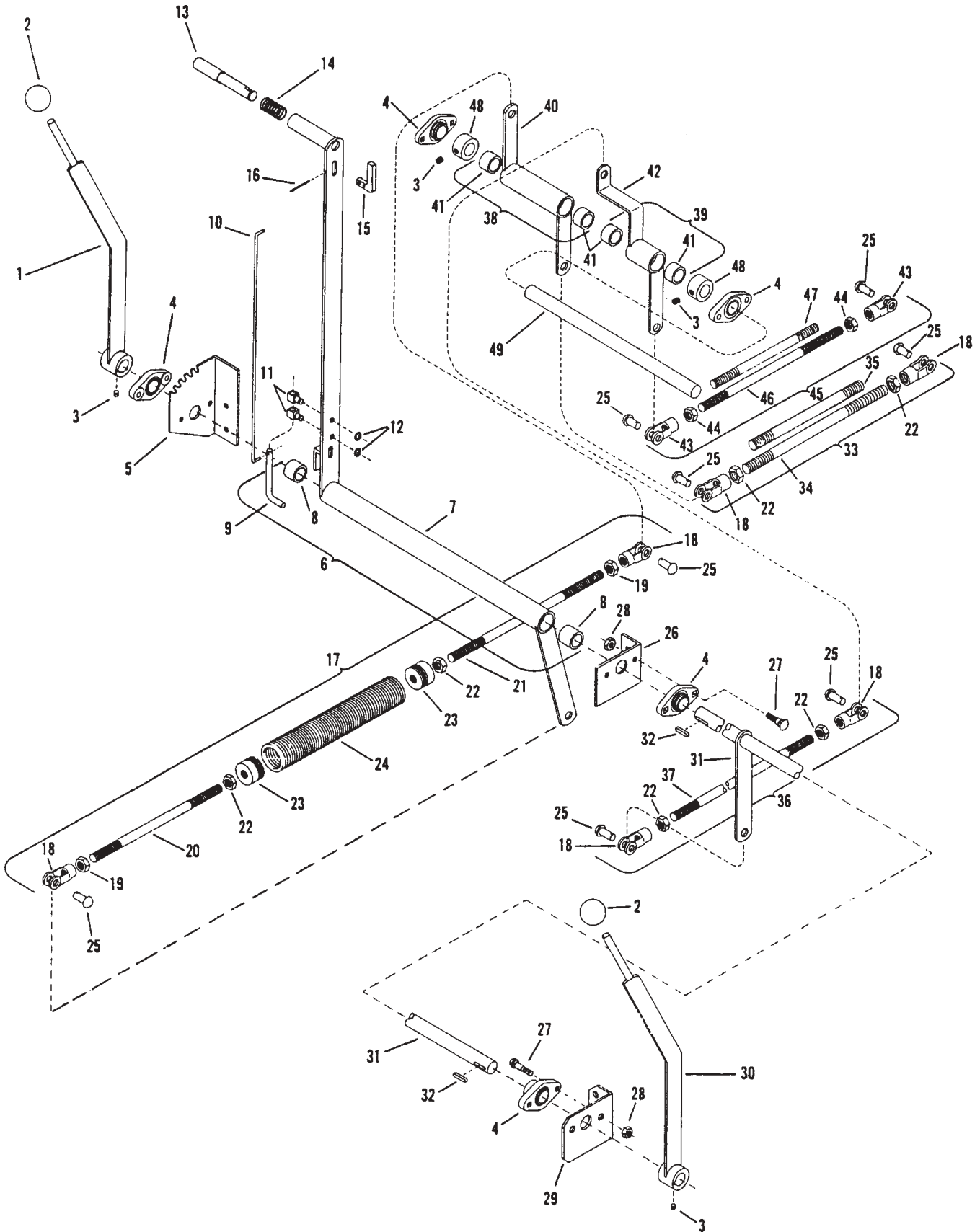


Hitch, Brake and Shuttle Transmission Controls
S/N 228 thru K-3451, K-3455, K-3456, K-3458, K-3459 & K-3462

	PART NO.	QTY.	DESCRIPTION	REF.	PART NO.	QTY.	DESCRIPTION
1	3150065	1	Lever – Right Dog	**60	3150347	1	Hub and Arm ASM
2	3140029	3	Rubber Knob	**61	3150392	1	Linkage – Left Rear
3	0102592	3	Socket HD Set SCR 3/8" N.C. x 3/8"	**62	3150401	1	Linkage ASM Lt. Frt.
4	3100312	5	Flange Brg – 1"	**63	3150398	1	Linkage Lt. Frt.
5	3150359	1	Pick-up Gear	**64	6100138	1	Ball Joint 3/8" N.F.
6	7850014	1	Pick-up Gear ASM – Incl. Items 71 Thru 16	**65	0120369	2	Nut Hex Lock 3/8" N.F.
7	3150275	1	Lever Pick-up (incl. item 8)	66	0103386	8	Cotter Pin
8	3150069	4	Bronze Bushing	**67	6000011	1	Key 1/4" Sq. x 1" Long
9	3150218	1	Locking Pin	68	3100688	1	Linkage 5/8" Short
10	3150378	1	Lifting Link				
11	3150222	2	Stud				
12	6000440	2	External Snap Ring 3/8"				
13	3150237	1	Plunger				
14	3150177	1	Spring				
15	3150375	1	Finger				
16	0457008	1	Roll Pin 3/16" Dia. x 1 1/2				* S/N 228 thru 284
17	3130082	1	Spring Linkage ASM				** S/N 285 thru K-3451, K-3455, K-3456, K-3458, K-3459, K-3462
18	3140117	6	Clevis				
19	0120238	2	Jam Nut 1/2" N.C.				
20	3130080	1	Rod – Short				
21	3130081	1	Rod – Long				
22	0120378	6	Hex Nut 1/2" N.C.				
23	3130059	2	Screw Plug				
24	3100078	1	Spring				
25	6000401	8	Pin 1/2" Dia. x 1 1/2" Lg.				
26	3150358	1	Center Bracket				
27	3100619	10	Carriage Bolt 5/16" N.C. x 1 1/4"				
28	9418943	10	Lock Nut – 5/16" N.C.				
29	3150369	1	Pivot ASM (incl. items 30 thru 34)				
30	3150241	1	Hub and Bearing				
31		1	Hub (not serviced separately)				
32	3150247	1	Oilite Bushing				
33	3150244	1	Pin				
34	3100061	4	Set Collar – 1" Dia. Shaft				
35	3150354	1	Hand Brake Tube (incl. items 38 and 8 only)				
36	3150361	1	Right Link				
37	3150392	1	Link Left				
38		1	Brake Tube (not serviced separately)				
*39	3150426	1	Bracket – Left				
40	3150352	1	Lever ASM – Hitch Rel.				
41	3150290	1	Hitch Rel. Shaft ASM				
42	6000005	3	Key 1/4" Square x 1 1/4"				
43	3130089	1	Linkage ASM 1/2" Dia.				
44	3130062	1	Linkage 1/2" Long				
45	3130151	1	Linkage ASM				
46	3130152	1	Hitch Arm				
47	3130070	1	Straight Hub ASM				
48	3130137	1	Offset Lever ASM				
49		1	Straight Hub (not serviced separately)				
50	3150247	4	Bronze Bearing				
51		1	Offset Hub (not serviced separately)				
52	3130060		Shaft				
53	3100346	1	Linkage 1/2" Short				
54	6000367	2	Clevis 5/8" N.C.				
55	0124589	2	Nut 5/8" N.C.				
56	3130156	1	Linkage ASM 5/8" Dia.				
57	3130153	1	Linkage 5/8" Long				
**58	3150385	1	Bracket Left				
59	3150389	1	Shaft ASM and Arm				

Hitch Controls

S/N K-3452, K-3453, K-3454, K-3457, K-3460, K-3461, K-3463 thru K-3813

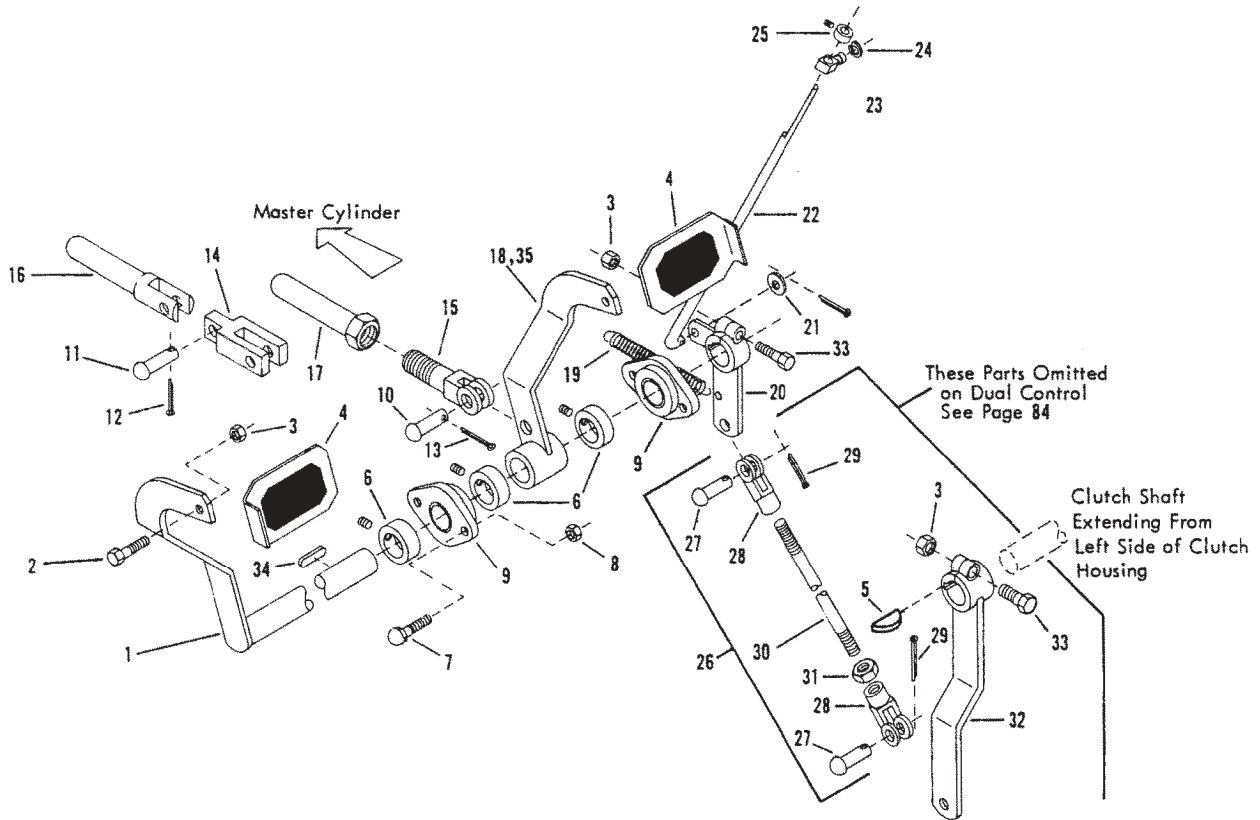


Hitch Controls

S/N K-3452, K-3453, K-3454, K-3457, K-3460, K-3461, K-3463 thru K-3813

REF.	PART NO.	QTY.	DESCRIPTION	REF.	PART NO.	QTY.	DESCRIPTION
1	3150065	1	LEVER=RIGHT DOG=UNITS WITH LEFT HAND DRIVE				
	3150352	1	LEVER ASM=UNITS WIT DUAL CONT				
2	3140029	2	RUBBER KNOB				
3	0102592	4	SET SCREW 3/8 NC X 3/8				
4	3100312	5	FLANGE BEARING				
5	3150359	1	PICK-UP GEAR				
6	7850014	1	PICK-UP LEVER ASM (INCL ITEMS 7 THRU 16)				
7	3150275	1	PICK-UP LEVER (INCL ITEM 8)				
8	3150069	4	BRONZE BUSHING				
9	3150216	1	LOCKING PIN				
10	3150378	1	LIFTING LINK				
11	3150222	2	STUD				
12	6000440	2	SNAP RING 3/8				
13	3150237	1	PLUNGER				
14	3150177	1	SPRING				
15	3150375	1	FINGER				
16	0457008	1	ROLL PIN 3/16 DIA X 1 1/2				
17	3130082	1	SPRING LINKAGE ASM				
18	3140117	6	CLEVIS				
19	0120238	2	JAM NUT 1/2 NC				
20	3130080	1	ROD=SHORT				
21	3130081	1	ROD=LONG				
22	0120376	6	HEX NUT 1/2 NC				
23	3130059	2	SCREW PLUG				
24	3100076	1	SPRING				
25	6000401	8	PIN 1/2 DIA X 1 1/2				
26	3150358	1	CENTER BRACKET				
27	3100619	10	CARRIAGE BOLT 5/16 NC X 1 1/4				
28	9418943	10	LOCK NUT 5/16 NC				
29	3150426	1	LEFT BRACKET				
30	3150352	1	LEVER ASM				
31	3150290	1	HITCH RELEASE SHAFT ASM				
32	6000005	2	KEY 1/4 SQ X 1 1/4				
33	3130089	1	LINKAGE ASM				
34	3130062	1	LINKAGE=LONG 1/2 DIA				
35	3100346	1	LINKAGE=SHORT 1/2 DIA				
36	3130151	1	LINKAGE ASM				
37	3130152	1	HITCH ARM LINKAGE				
38	3130070	1	LEVER ASM				
39	3130137	1	OFFSET LEVER ASM				
40		1	STRAIGHT HUB (NOT SERVICED SEPERATELY)				
41	3150247	4	BRONZE BEARING				
42		1	OFFSET HUB (NOT SERVICED SEPERATELY)				
43	6000367	2	CLEVIS 5/8 NC				
44	0124589	2	NUT 5/8 NC				
45	3130156	1	LINKAGE ASM				
46	3130153	1	LINKAGE=LONG 5/8 DIA				
47	3100688	1	LINKAGE=SHORT 5/8 DIA				
48	3100061	2	SET COLLAR				
49	3130060	1	SHAFT				

Brake and Clutch Controls IHC Gas and Diesel Engines - Left Hand Drive

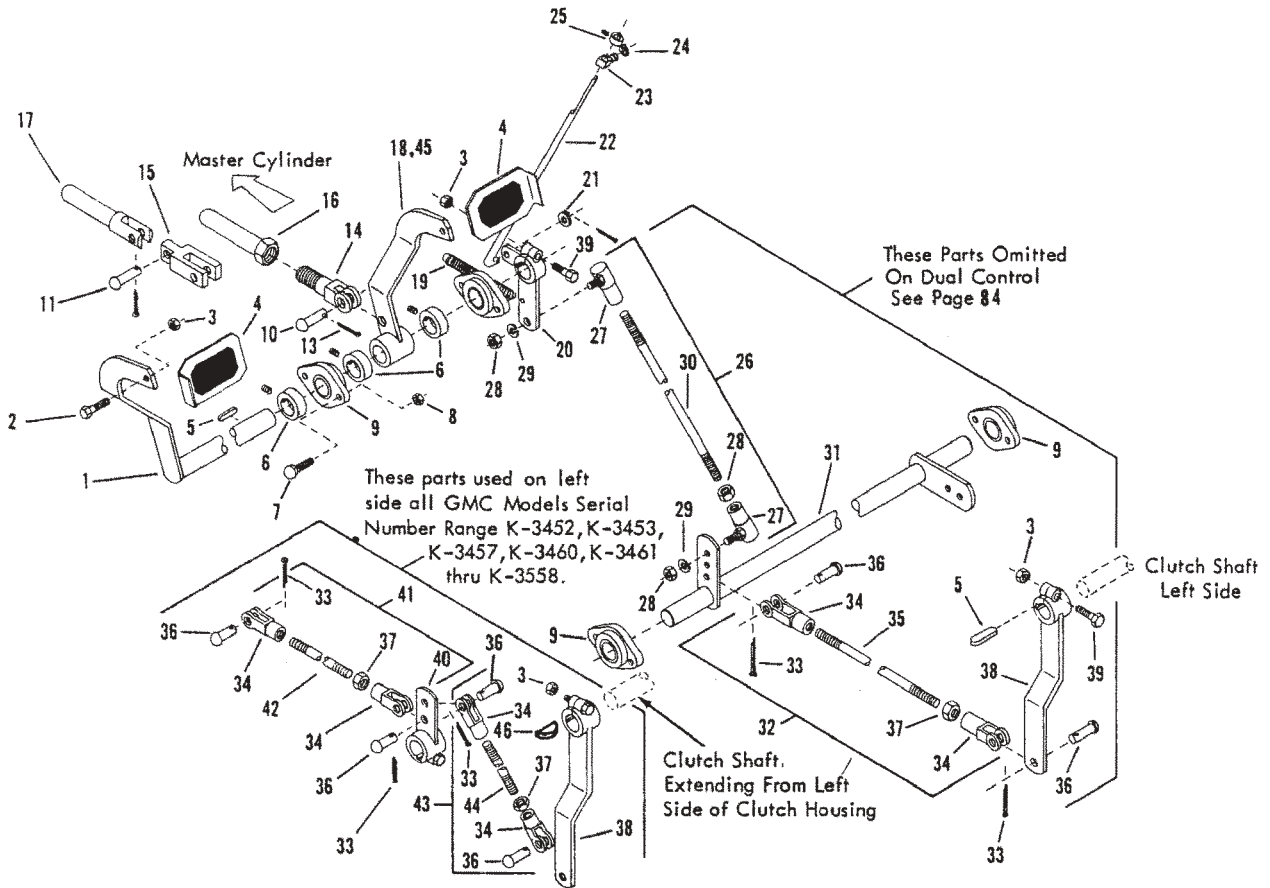


* Serial Number Range 162 thru 364

** Serial Number Range 365 thru Present Models

REF.	PART NO.	QTY.	DESCRIPTION	REF.	PART NO.	QTY.	DESCRIPTION
1	3150258	1	CLUTCH ARM AND SHAFT ASM	23	3150222	1	STUD
2	0122168	2	HEX BOLT 3/8 NC X 1 3/8	24	6000440	1	SNAP RING
3	9418871	4	LOCK NUT 3/8 NC	25	3150225	1	SET COLLAR (INCL SETSCREW)
4	3100124	2	PEDAL PAD	26	3150363	1	LINKAGE ASM
5	0113782	2	WOODRUFF KEY	27	6000403	2	DRILLED RIVET 1/2 X 2
6	3100061	3	SET COLLAR (INCL SETSCREW)	28	6000367	2	CLEVIS 5/8
7	3100619	4	CARRIAGE BOLT 5/16 NC X 1 1/4	29	0103385	2	COTTER PIN 1/8 X 1
8	9418943	4	LOCK NUT 5/16 NC	30	3150364	1	LINKAGE
9	3100312	2	FLANGE BEARING		3150421	1	LINKAGE=14 IN CLUTCH
10	6000401	1	DRILLED RIVET 1/2 X 1 1/2	31	0124589	1	HEX NUT 5/8 NC
11	6000491	1	DRILLED RIVET 5/16 X 1 1/4	32	3150350	1	CLUTCH ARM ASM
12	0103374	1	COTTER PIN 3/32 X 1	33	0120918	2	HEX BOLT 3/8 NC X 1 1/2
13	0103385	1	COTTER PIN 1/8 X 1	34	6000011	1	KEY 1/4 SQ X 1
14	3150307	1	EXTENSION ROD=MASTER CYLINDER S/N 162 THRU K-3564	35	3150247	1	BEARING=OILITE,PIVOT
15	3180328	1	YOKE ASM=PUSH,MASTER CYLINDER S/N BEGINNING AT K-3565				
16	3180144	1	ROD=PUSH-S/N 162 THRU K-3564				
17	6450221	1	ROD=PUSH,MASTER CYLINDER -S/N BEGINNING AT K-3565				
18	3150162*	1	BRAKE ARM ASM				
	3150400**	1	BRAKE ARM ASSEMBLY				
19	3110472	1	SPRING				
20	3150231***	1	CLUTCH SHAFT ARM ASM				
	3190245	1	ARM+HUB ASM=CLUTCH PEDAL SHAFT				
21	0120388	1	WASHER 7/16				
22	3150223	1	THROTTLE RETARDER SHAFT				
							*** MODELS S/N RANGE K3452, K3453, K3457, K3460, K3461, K3463 THRU K3558

Brake and Clutch Controls GMC Diesel Engine - Left Hand Drive



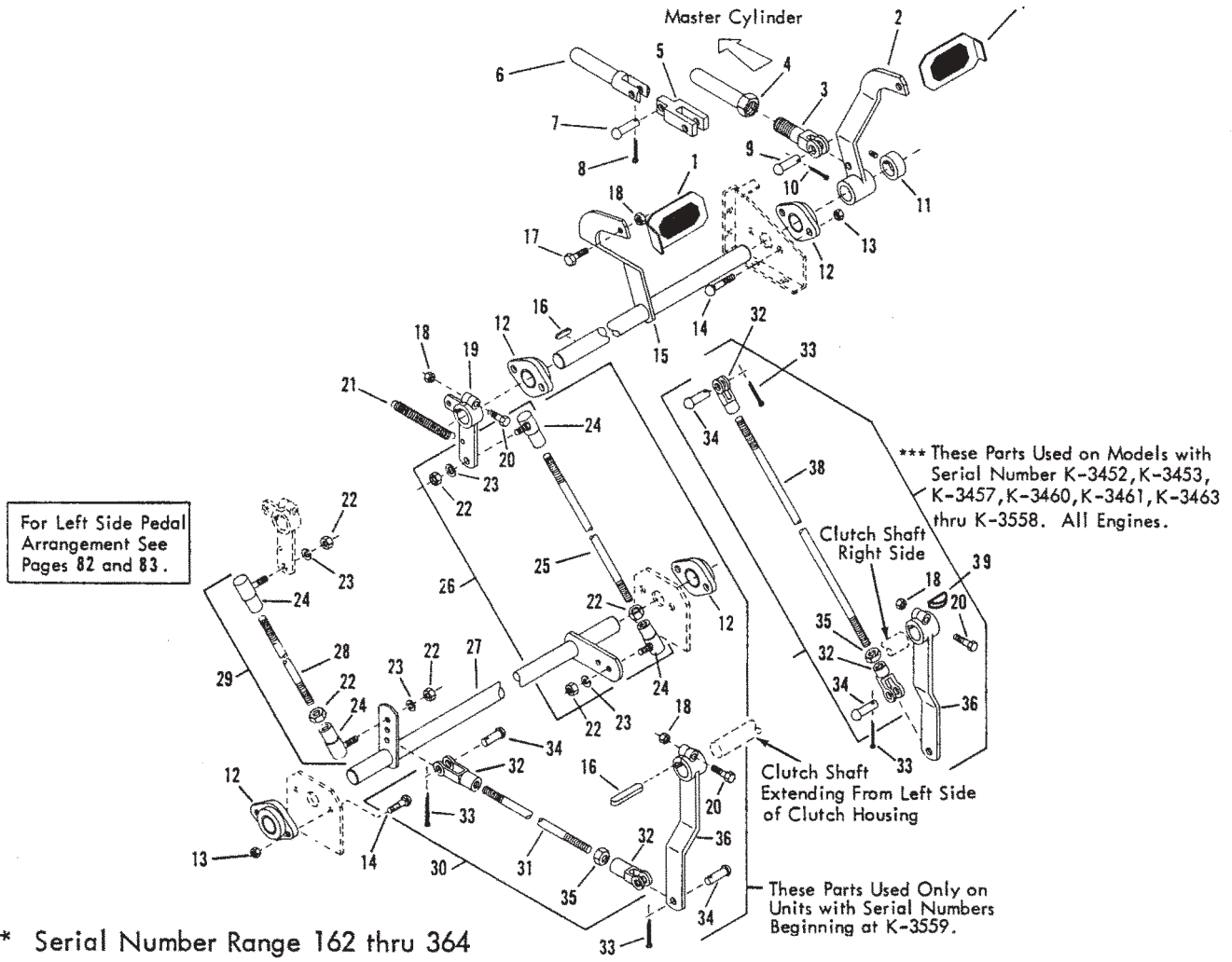
* Serial Number Range 162 thru 364

** Serial Number Range 365 thru Present Models

*** MODELS S/N RANGE K3452,
K3453, K3457, K3460, K3461,
K3463 THRU K3558

REF.	PART NO.	QTY.	DESCRIPTION	REF.	PART NO.	QTY.	DESCRIPTION
1	3150258	1	ARM+SHAFT ASM=CLUTCH	22	3150223	1	SHAFT=THROTTLE RETARDER
2	0122168	2	SCREW=HEX,0.38NCX1.75,GR2,PD	23	3150222	1	STUD HANDLE ASM
3	0274993	4	NUT=HEX,LOCK,0.38NC,PD	24	6000440	1	SPRING=EXT
4	3100124	2	PAD ASM=PEDAL	25	3150225	1	COLLAR+SETScrew,0.38 I.D.
5	6000011	1	KEY=0.25X0.25CR X 1.00	26	3190384	1	LINKAGE ASM=BELL CRANK,LT FRT (INCLUDING ITEMS 27=30)
6	3100061	3	COLLAR=RET,1IN ID=INCL SETSCRW	27	6100127	2	JOINT=BALL,0.50X20
7	3100619	8	BOLT=CARR,0.31NCX1.25LG,GR5	28	0120371	3	NUT=HEX,0.50NF,PD
8	9411638	8	NUT=HEX,LOCK,0.31NC,PD	29	0120384	2	WASHER=LOCK,0.50,SPRING,PD
9	3100312	4	BEARING=FLANGE,2 BOLT,1.00IN	30	3190385	1	LINKAGE=BELL CRANK,LEFT FRONT
10	6000401	1	RIVET=RD HD,0.50X1.50LG,DRILLED	31	3190379	1	BELLCRANK ASM=CLUTCH,DUAL CONT
11	6000491	1	RIV=RD HD,0.31X1.25LG,DRILLED	32	3190260	1	LINKAGE ASM=FRT
12	0103374	2	PIN=COTTER,0.09X1.00,PN	33	0103385	AR	PIN=COTTER,0.12X1.00,PN
13	0103385	3	PIN=COTTER,0.21X1.00,PN	34	6000367	AR	CLEVIS=0.62NC W/ 0.53 HOLE
14	3180328	1	YOKE ASM=PUSH,MASTER CYLINDER S/N BEGINNING AT K=3565	35	3190261	1	LINKAGE=FRONT
15	3150307	1	EXTENSION ROD=MASTER CYLINDER S/N 162 THRU K=3564	36	6000403	AR	RIVET=RD HD,0.50X2LG,DRILLED
16	6450221	1	ROD=PUSH,MASTER CYLINDER S/N BEGINNING AT K=3565	37	0124589	AR	NUT=HEX,0.62NC,PD
17	3180144	1	ROD=PUSH=S/N 162 THRU K=3564	38	3190072	1	ARM ASM=CLUTCH THROWOUT
18	3150162*	1	BRAKE ARM ASM	39	0120918	2	SCREW=HEX,0.38NCX1.50,GR2,PD
	3150400**	1	ARM ASM=BRAKE PEDAL	40	3190258	1	ARM ASM=PIVOT,CENTER
19	3110472	1	SPRING=CLUTCH PEDAL RETURN	41	3190260	1	LINKAGE ASM=FRT
20	3150231***	1	CLUTCH SHAFT ARM ASM	42	3190261	1	LINKAGE=FRONT
	3190245	1	ARM+HUB ASM=CLUTCH PEDAL SHAFT	43	3190262	1	LINKAGE ASM=REAR,GM DIESEL CLU
21	0120388	1	WASHER=FLAT,0.375,WIDE	44	3190263	1	LINKAGE=REAR,GM DIESEL CLUTCH
				45	3150247	1	BEARING=OILITE,PIVOT
				46	0113782	1	WOODRUFF KEY

Brake and Clutch Controls - Dual Control



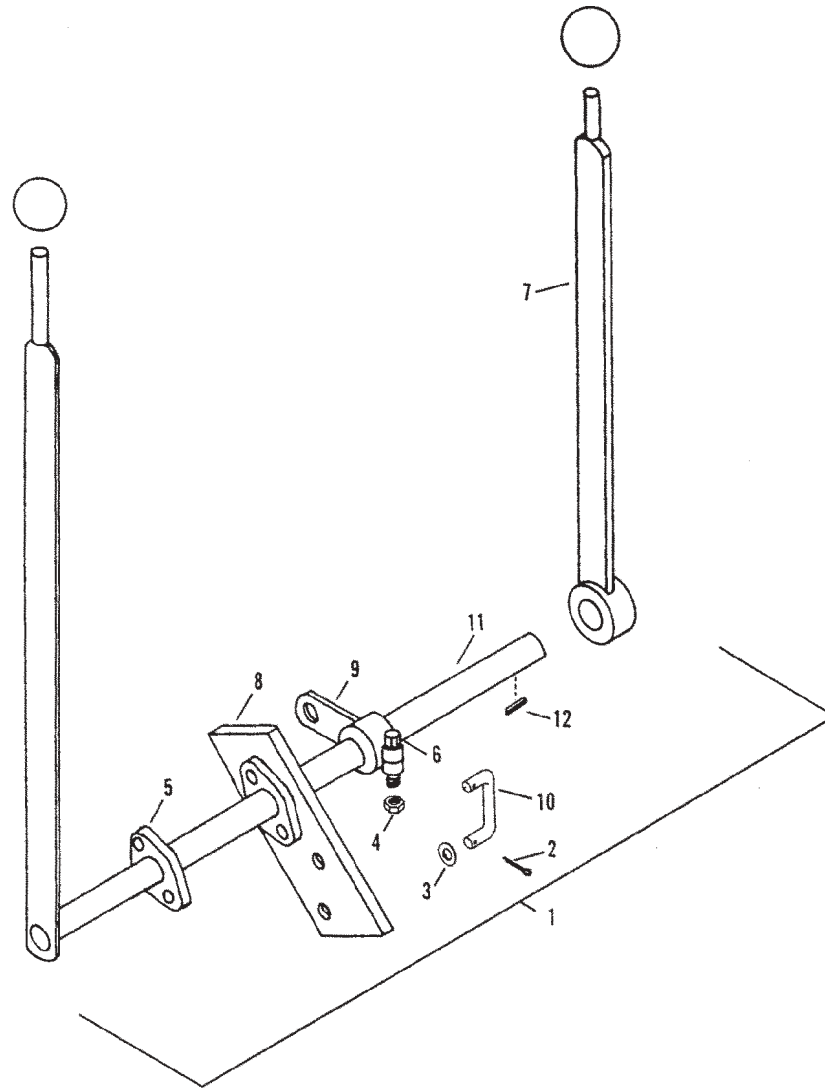
* Serial Number Range 162 thru 364

** Serial Number Range 365 thru Present Models

REF.	PART NO.	QTY.	DESCRIPTION	REF.	PART NO.	QTY.	DESCRIPTION
1	3100124	2	PEDAL PAD	22	0120371	6	HEX NUT 1/2
2	3150162*	1	BRAKE ARM ASM	23	0120384	4	LOCK WASHER 1/2
	3150400**	1	BRKAE ARM ASM	24	6100127	4	BALL JOINT
3	3180328	1	YOKE-S/N BEGINNING AT K=3565	25	3190387	1	LINKAGE 1/2 DIA
4	6450221	1	PUSH ROD-S/N BEGINNING AT K=3565	26	3190386	1	LINKAGE ASM=RIGHT (ITMS 22=25)
5	3150307	1	YOKE-S/N 162 THRU K=3564	27	3190379	1	BELLCRANK ASM
6	3180144	1	PUSH ROD-S/N 162 THRU K=3564	28	3190385	1	LINKAGE 1/2 DIA
7	6000491	1	DRILLED RIVET 5/16 X 1 1/4	29	3190384	1	LINKAGE ASM=LEFT (INCLUDING ITEMS 22=24 AND 28)
8	0103374	1	COTTER PIN 3/32 X 1	30	3190260	1	LINKAGE ASM (INCL ITEMS 31=35)
9	6000401	1	DRILLED RIVET 1/2 X 1 1/2	31	3190261	1	LINKAGE 5/8 DIA
10	0103385	1	COTTER PIN 1/8 X 1	32	6000367	AR	CLEVIS
11	3100061	1	SET COLLAR (INCL SETSCREW)	33	0103385	AR	COTTER PIN 1/8 X 1
12	3100312	4	FLANGE BEARING	34	6000403	AR	DRILLED RIVET 1/2 X 2
13	9418943	8	LOCK NUT 5/16 NC	35	0124589	AR	HEX NUT 5/8
14	3100619	8	CARRIAGE BOLT 5/16 NC X 1 1/4	36	3150350	AR	CLUTCH ARM ASM
15	3190153	1	CLUTCH ARM AND SHAFT ASM	37	3150420	1	LINKAGE ASM=ITEMS 32=35 AND 38
16	6000011	1	KEY 1/4 SQ X 1	38	3150421	1	LINKAGE 5/8 DIA
17	0122168	2	HEX BOLT 3/8 NC X 1 3/4	39	0113782	1	WOODRUFF KEY
18	9418871	AR	LOCK NUT 3/8 NC				
19	3150231***	2	CLUTCH SHAFT ARM ASM				
	3150416	2	CLUTCH SHAFT ARM ASM				
20	0120918	AR	HEX BOLT 3/8 NC X 1 1/2				
21	3110472	1	SPRING				

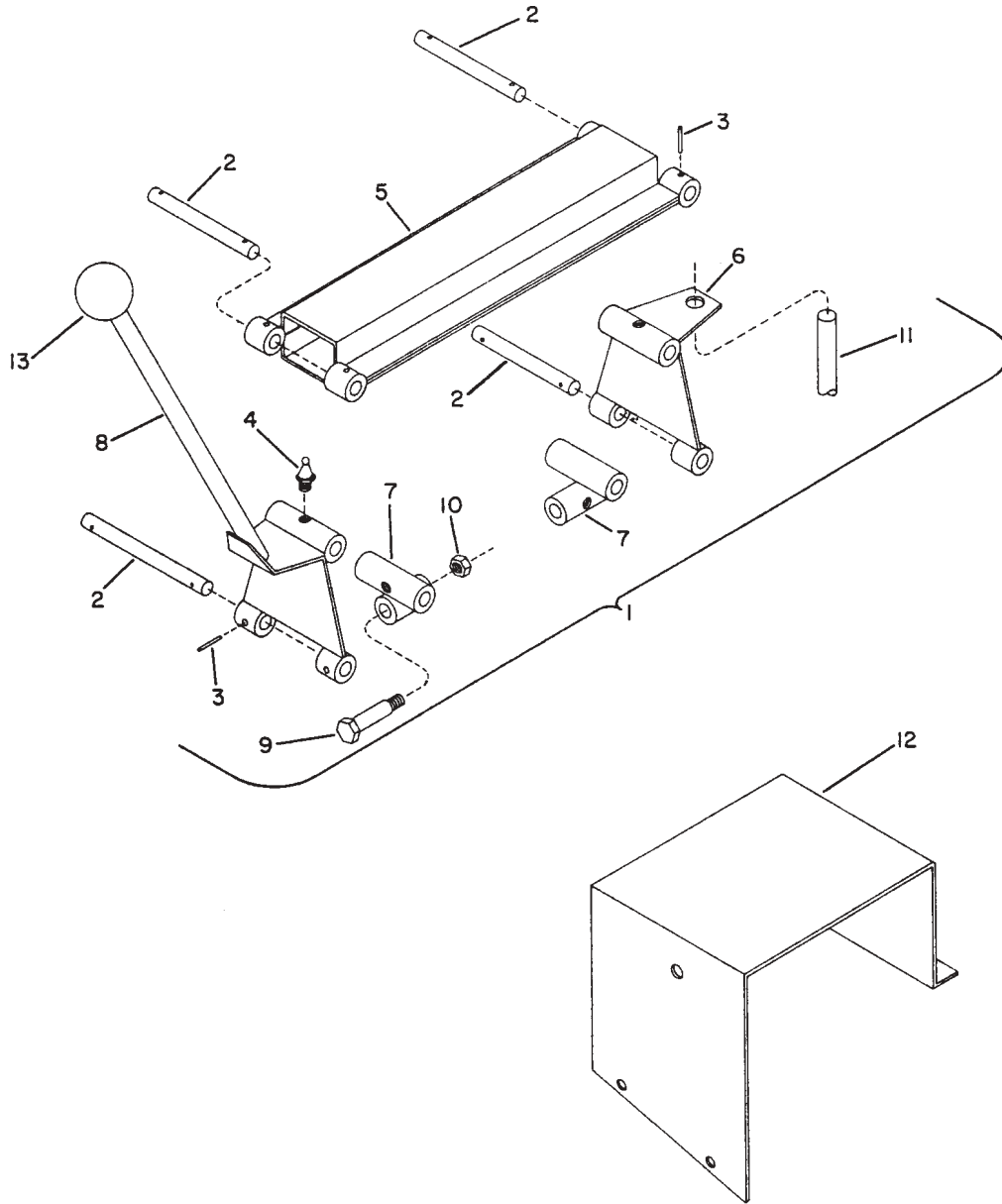
Shuttle Shifting Dual Controls

S/N 285 thru K-3451, K-3455, K-3456, K-3458, K-3459, K-3462.



REF.	PART NO.	QTY.	DESCRIPTION	REF.	PART NO.	QTY.	DESCRIPTION
1	3190203		Shifting Asm. Shuttle, R. H. Dr.	12	6000011	2	Key 1/4" Sq. x 1" Lg.
2	0103384	2	Cotter Pin 1/8" x 3/4"	13	9418871	1	Lock Nut 3/8" N.C.
3	0120214	4	Lock Washer 5/16"				
4	0120376	4	Hex Nut 5/16" N.C.				
5	3100312	2	Flange Bearing 1" I.D.				
6	3100619	4	Carriage Bolt 5/16" N.C. x 1-1/4"				
7	3190337	1	Lever R. H. Dog				
8	3150343	1	Support R. H. Shuttle Shifting				
9	3150347	1	Arm Asm. - Shifting Shuttle				
10	3150349	1	Link - Shuttle Shifting				
11	3190201	1	Shaft Asm. Shuttle Shift, R. H. Drive				

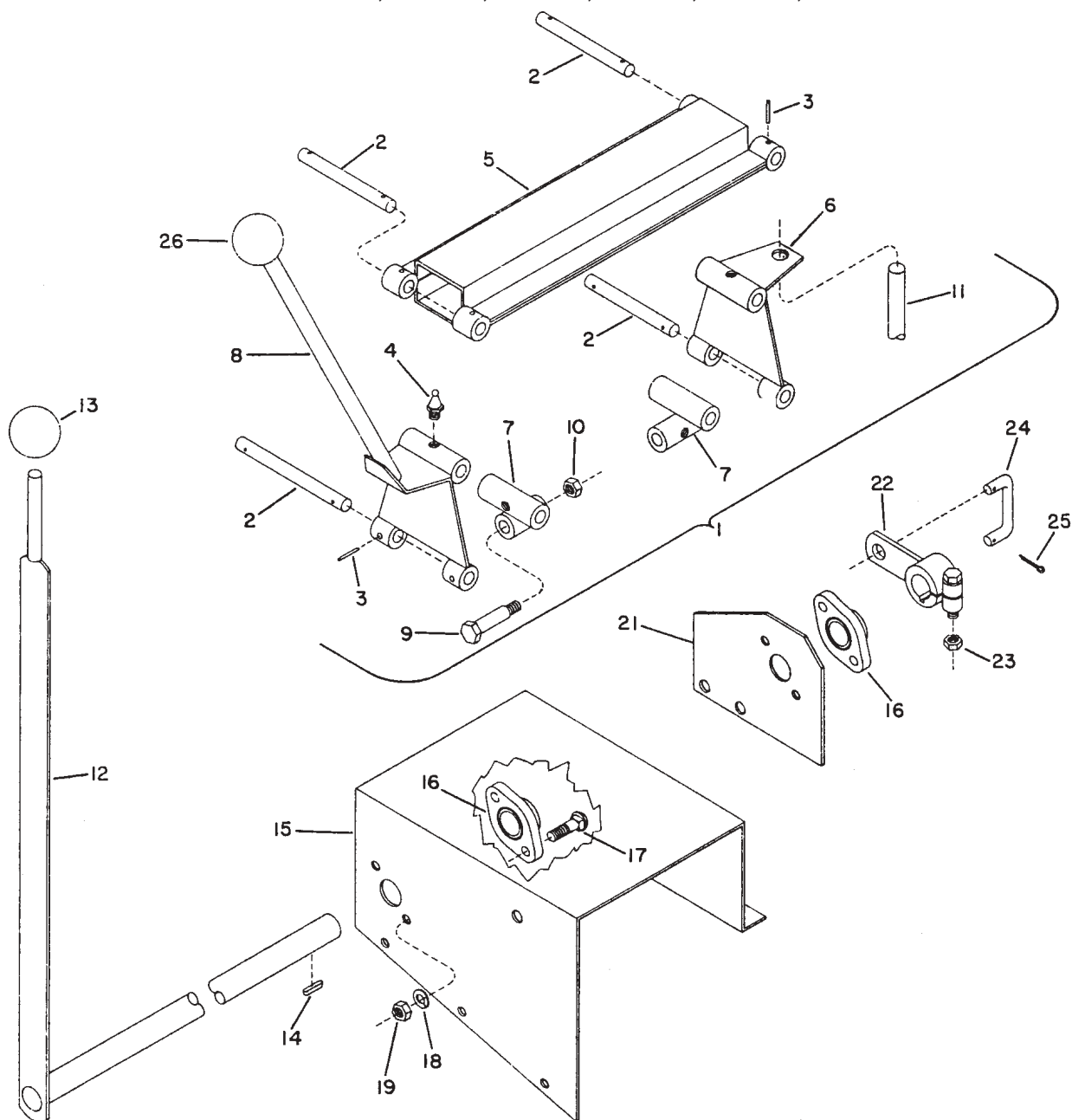
Shifting Installation (S/N 162 thru 227)



REF.	PART NO.	QTY.	DESCRIPTION	REF.	PART NO.	QTY.	DESCRIPTION
1	3150267	1	Shifting Tie—(includes items 1 thru 8 & 13)	7	3150009	2	Rocker Pivot
2	3150008	4	Hinge Pin	8	3150012	1	Shifting Bracket
3	0273503	8	Roll Pin—3/16" Dia. x 1-1/8"	9	3150028	2	Shoulder Bolt
4	0191758	6	Zerk Fitting—1/8" NPT	10	6100023	2	Lock Nut—1/2" N.C.
5	3150266	1	Shifting Adaptor	11			Ref. Only—Transmission
6	3150020	1	Shifting Catch	12	3150337	1	Bracket
				13	7800109	1	Shifting Knob

Shifting Installation

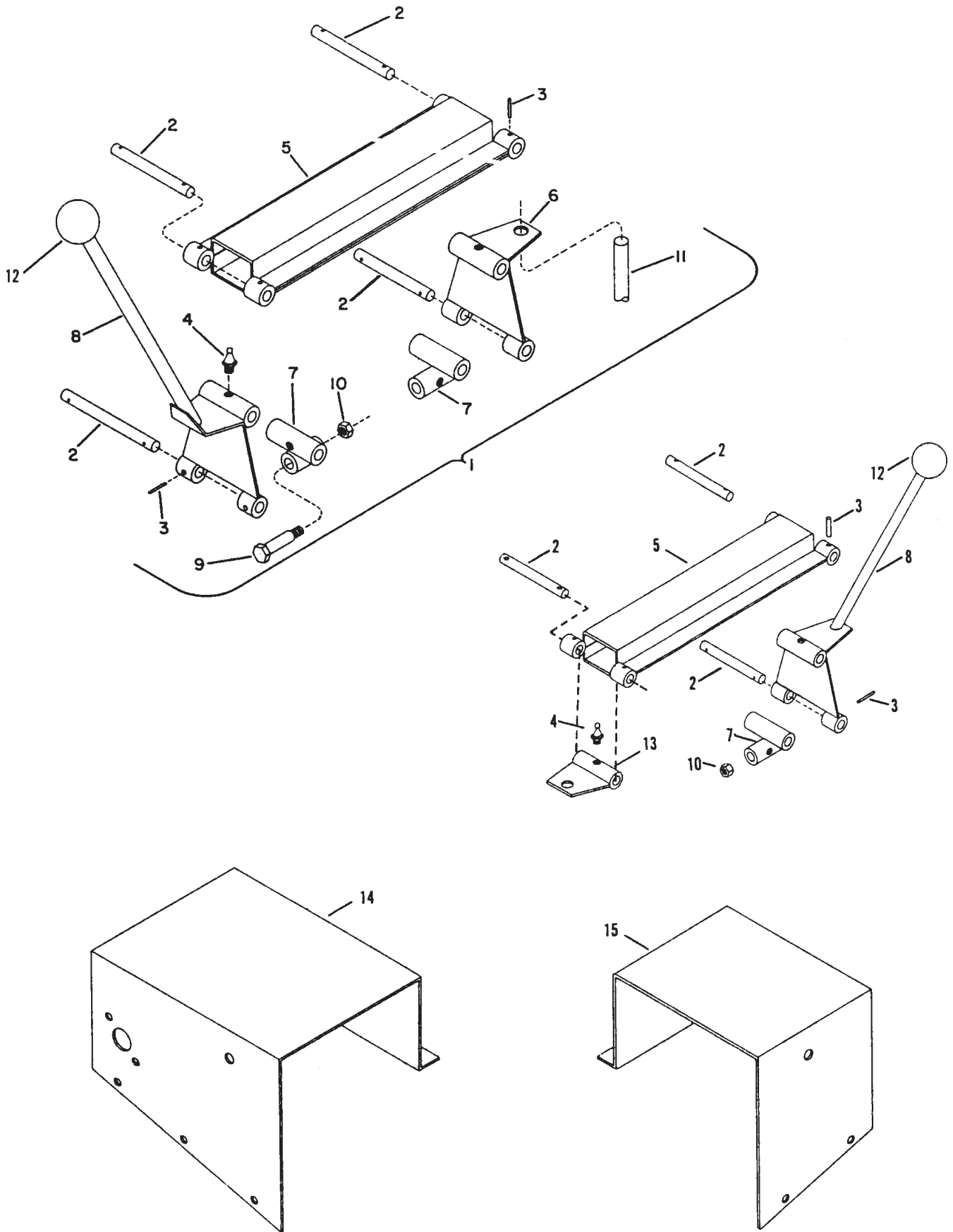
S/N 228 thru K-3451, K-3455, K-3456, K-3458, K-3459, K-3462.



REF.	PART NO.	QTY.	DESCRIPTION	REF.	PART NO.	QTY.	DESCRIPTION
1	3150267	1	Shifting Tie --(includes items 1 thru 8 & 26)	14	6000011	1	Key - 1/4" Square x 1" Lg.
2	3150008	4	Hinge Pin	15	3150368	1	Bracket
3	0273503	8	Roll Pin - 3/16" Dia. x 1-1/8"	16	3100312	2	Flange Brgs. - 1"
4	0191758	6	Zerk Fitting - 1/8" NPT	17	3100619	4	Carriage Bolt
5	3150266	1	Shifting Adaptor	18	0120214	4	Lockwasher - 5/16"
6	3150020	1	Shifting Catch	19	0120376	4	Hex Nut - 5/16" N.C.
7	3150009	2	Rocker Pivot	21	3150343	1	Support
8	3150012	1	Shifting Bracket	22	3150347	1	Shuttle Shifting Arm
9	3150028	2	Shoulder Bolt	23	9418871	1	Lock Nut - 3/8" N.C.
10	6100023	2	Lock Nut - 1/2" N.C.	24	3150349	1	Connecting Link
11			Ref. Only - Transmission	25	0103384	2	Cotter Pin - 1/8" Dia. x 3/4"
12	3150344	1	Shaft Assembly	26	7800109	1	Shifting Knob
13	3140029	1	Rubber Knob				

5 Speed Shifting Control - Dual Control

S/N 228 thru K-3451, K-3455, K-3456, K-3458, K-3459, K-3460, K-3462.

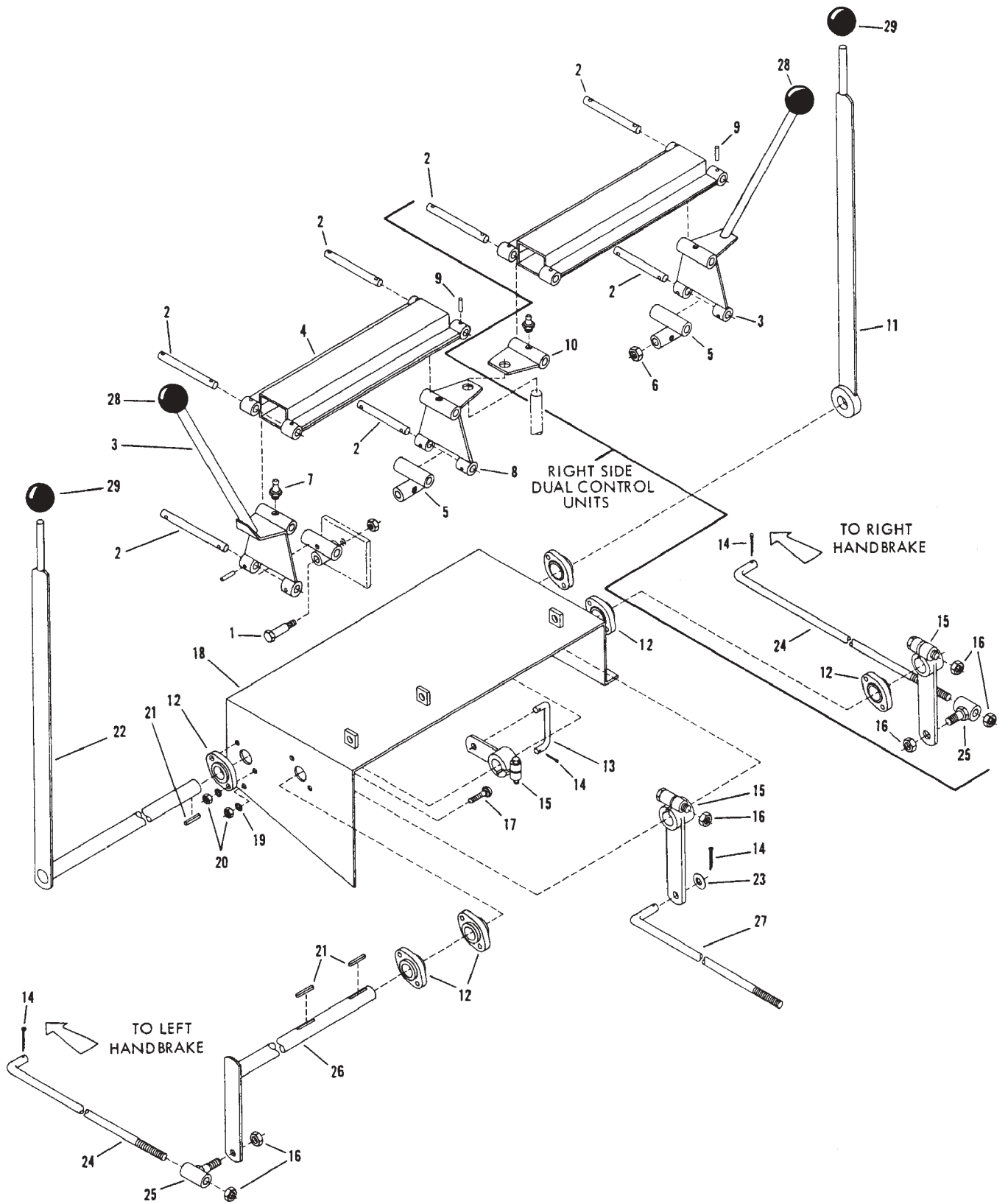


5 Speed Shifting Control - Dual Control
S/N 228 thru K-3451, K-3455, K-3456, K-3458, K-3459, K-3460, K-3462.

REF.	PART NO.	QTY.	DESCRIPTION	REF.	PART NO.	QTY.	DESCRIPTION
1	3150267	1	Shifting Tie - (includes items 1 thru 8 & 26)				
2	3150003	4	Hinge Pin				
3	0273503	8	Roll Pin - 3/16" Dia. x 1-1/8"				
4	0191758	6	Zerk Fitting - 1/8" NPT				
5	3150266	1	Shifting Adaptor				
6	3150020	1	Shifting Catch				
7	3150009	2	Rocker Pivot				
8	3150012	1	Shifting Bracket				
9	3150028	2	Shoulder Bolt				
10	6100023	2	Lock Nut - 1/2" N.C.				
11			Ref. Only - Transmission				
12	3140029	1	Rubber Knob				
13	3190147	1	Shifting Catch				
14	3150368	1	Bracket				
15	3190149	1	Bracket				

5 Speed Shifting Installation

S/N K-3452, K-3453, K-3454, K-3457, K-3460, K-3461, K-3463 thru K-3813



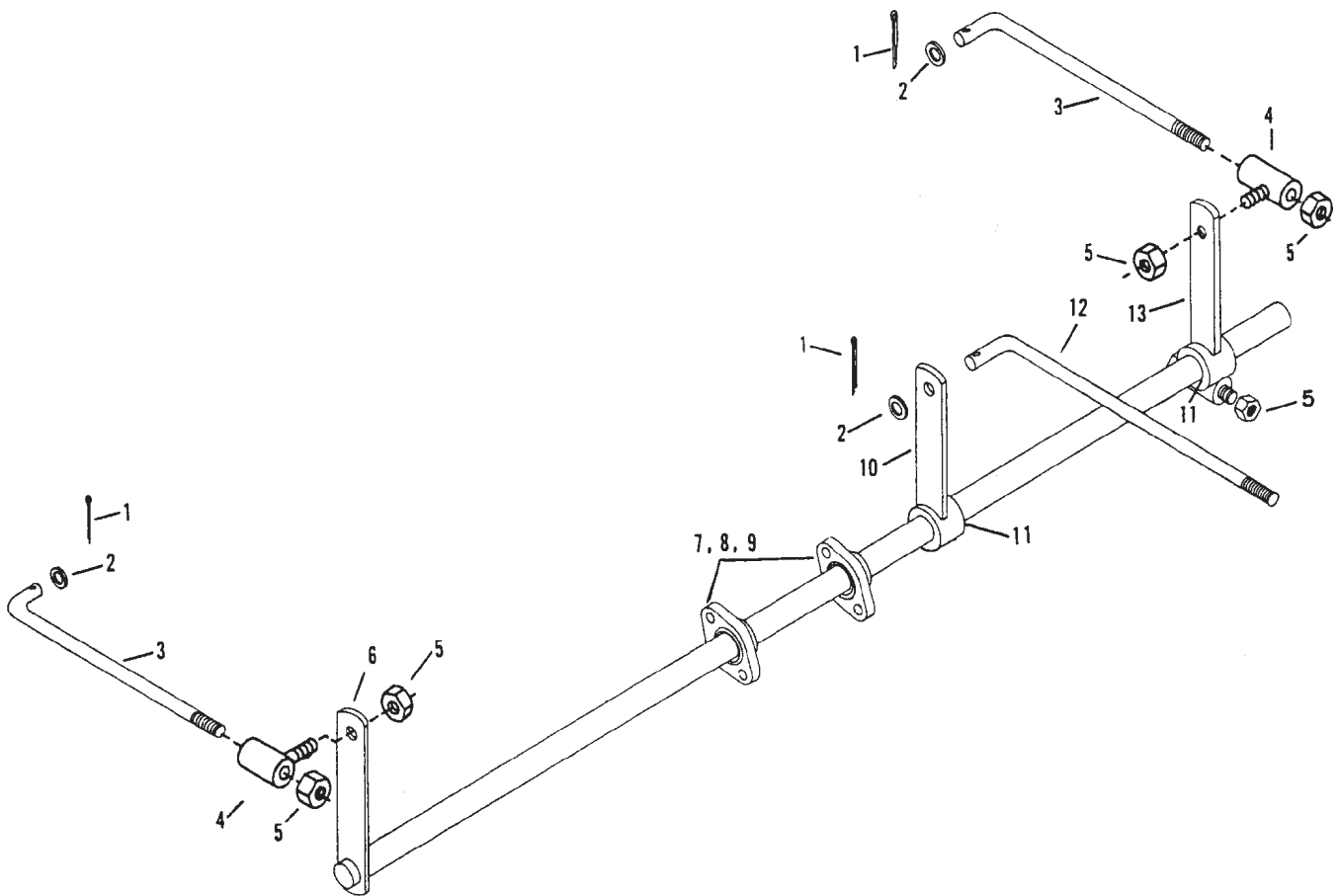
5 Speed Shifting Installation

S/N K-3452, K-3453, K-3454, K-3457, K-3460, K-3461, K-3463 thru K-3813

REF.	PART NO.	QTY.	DESCRIPTION	REF.	PART NO.	QTY.	DESCRIPTION
1	3150028	AR	BOLT-SHOULDER				
2	3150003	AR	LEVER-SHUTTLE TRANS				
3	3150226	AR	ROO HANDLE THROTTLE CONTROL				
4	3150012	AR	BRACKET-SHIFTING				
5	3150009	AR	PIVOT-ROCKER				
6	9411727	AR	NUT-HEX, LOCK, 0.50NC, EA, PD				
7	9411010	AR	FITTING=LUBE, STGHT, 0.12 X 0.69				
8	3150020	1	CATCH-SHIFTING				
9	0273503	AR	PIN-SPRING, 0.19X1.12, HV, PN				
10	3190147	1	CATCH ASM=5 SPEED SHIFT RH				
11	3190377	1	LEVER ASM-SHUTTLE RH OPER				
12	3100312	6	BEARING=FLG, 2BLT, 1 IN				
13	3190365	1	LINK-SHUTTLE SHIFT, GMC				
14	0103384	AR	PIN-COTTER, 0.12X0.75, PD				
15	3190196	AR	ARM ASM=RIGHT, HAND BRK				
16	0274993	AR	NUT-HEX, LOCK, 0.38NC, PD				
17	3100619	12	CARR BOLT, GR5, 0.31NCX1.25LG.				
18	3150423	1	BASE+GUSSET ASM=5 SPD SHIFT				
19	0120214	12	WASHER=LOCK, 0.31, SPRING, PD				
20	0120376	12	NUT-HEX, 0.31NC, PD				
21	6000011	3	KEY=0.25 SQ CR X 1.00 LG.				
22	3150412	1	SHAFT ASM-SHUTTLE SHFT				
	3190201	1	SHAFT ASM-SHUTTLE SHFT RH DR				
23	0120388	1	WASHER=FLAT, 0.38, PD				
24	3190219	AR	LINKAGE=OUTER HAND BRK RD GMC				
25	3150431	AR	TUBE ASM=ADJ, HAND BRAKE				
26	3150409	1	SHAFT ASM-HAND BRK				
	3190188	1	SHAFT ASM-HAND BRK RH DR				
27	3190195	1	LINKAGE=CTR HAND BRK RH DR, IHC				
	3190218	1	LINKAGE=CTR HAND BRK RH, GMC				
28	7800109	AR	KNOB-SHIFT LEVER				
29	3140029	AR	KNOB-RUBBER				

Handbrake - Dual Control

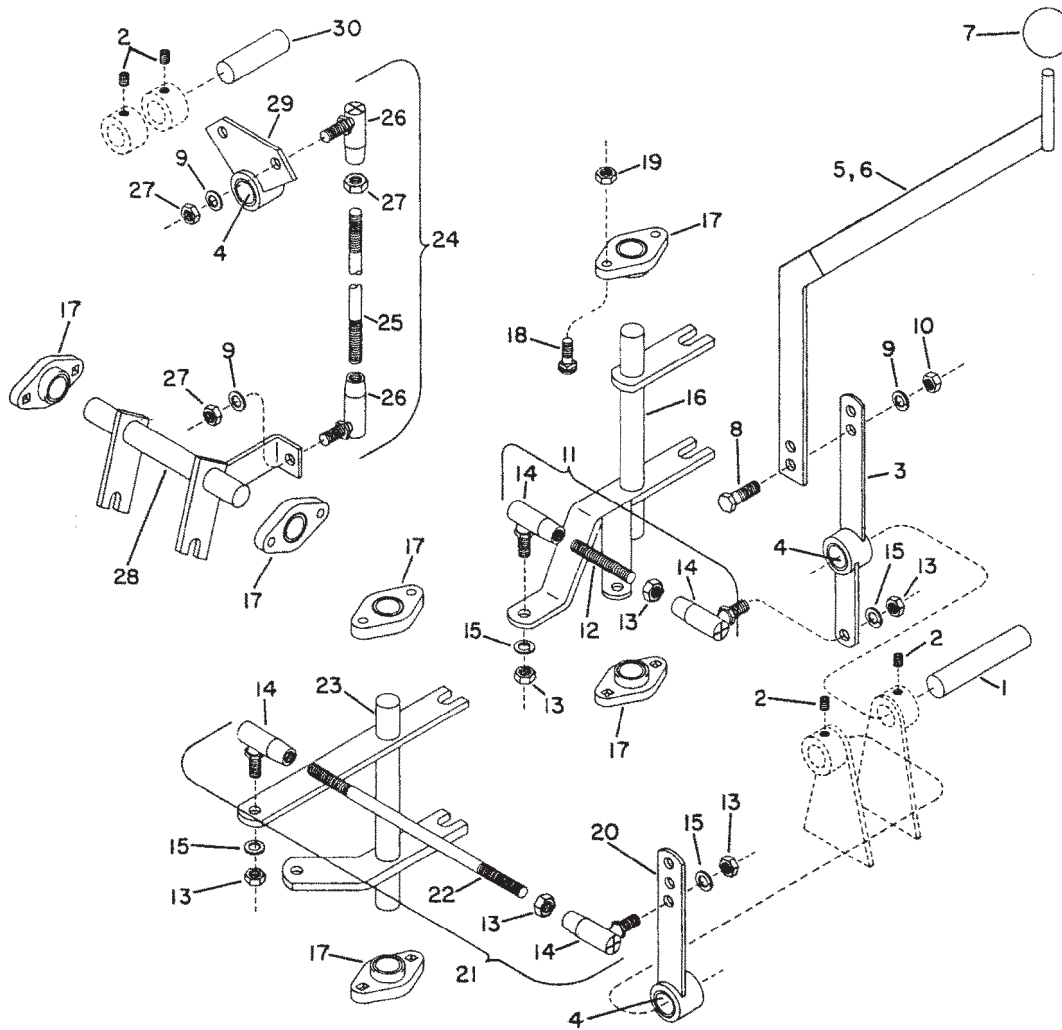
Serial No. 228 - K-3451



REF.	PART NO.	QTY.	DESCRIPTION	REF.	PART NO.	QTY.	DESCRIPTION
1	0103384	1	Cotter Pin 1/8" x 3/4"	12	3190195		Linkage IHC
2	3190198		Flat Washer 3/8" Linkage IHC		3190218		Linkage GMC
3	3190219		Linkage GMC	13	3190199		Arm Asm.
4	3150431		Tube Asm				
5	9418871		Nut - 3/8" N.C. Lock				
6	3190188		Shaft Asm. IHC				
	3190215		Shaft Asm. GMC				
7	3100312		Flange Bearing				
8	3100619		Carriage Bolt 5/16" N.C. x 1-1/4"				
9	0120376		5/16" N.C. Nut				
10	3190193		Arm Asm				
11	6000011		Key 1/4" x 1"				

Clutch Throw - Out Controls - 8 inch and 5 inch

This page Applies ONLY to Chipsreader Serial No. Range Beginning at 162

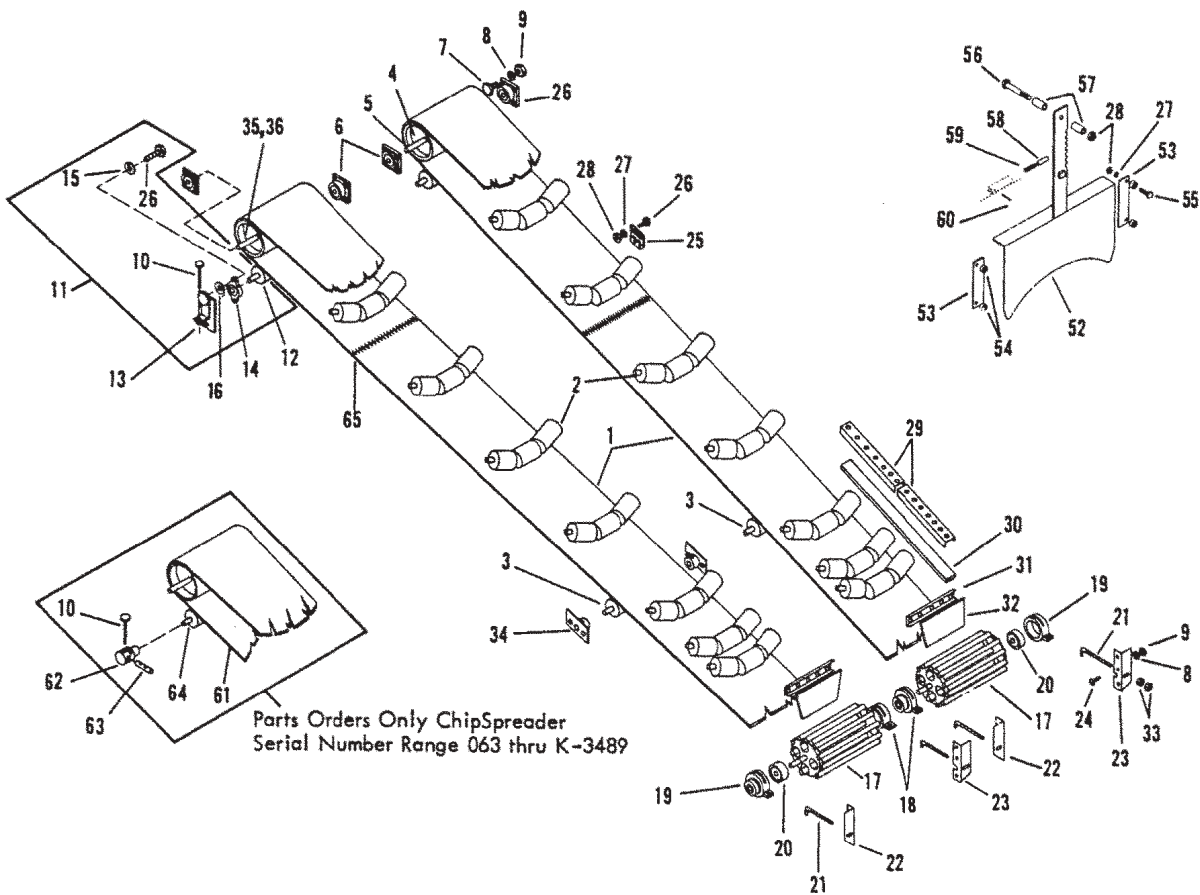
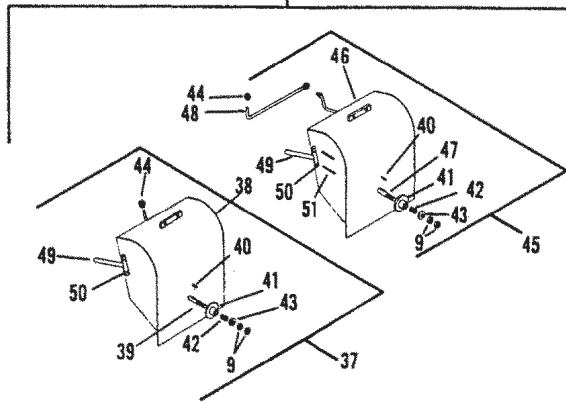
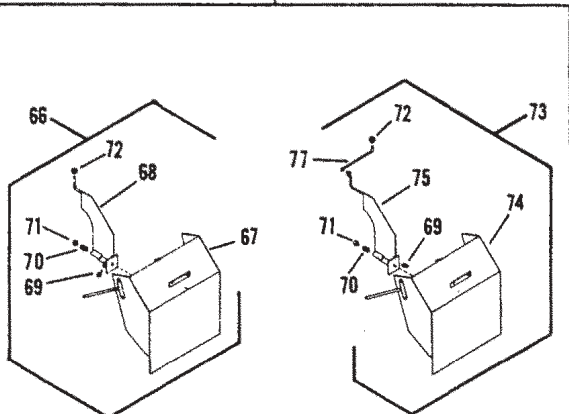


REF.	PART NO.	QTY.	DESCRIPTION	REF.	PART NO.	QTY.	DESCRIPTION
1	3150321	1	Pivot Shaft	17	3100312	6	Flange Bearings - 1"
2	0102592	4	Skt. Hd. S.S. - 3/8" N.C. x 3/8" Lg.	18	3100619	12	Carriage Bolt - 5/16" N.C. x 1-1/4"
3	3150252	1	Arm - R. H. Clutch (incl. item 4)	19	9418943	12	Lock Nut - 5/16" N.C.
4	3150320	3	Oilite Bearing	20	3150248	1	Arm - L.H. Clutch (incl. item 4)
5	3150298	1	Clutch Lever - Right	21	3150336	1	Clutch Linkage - Left (incl. items 13 to 15 & 22)
6	3150330	1	Clutch Lever - Left (not shown)	22	3150187	1	Linkage Rod - 14-1/2" Lg.
7	3140029	2	Rubber Knob	23	3150183	1	Shifting Fork - L.H. Clutch 8"
8	0122433	4	Hex Bolt - 1/2" N.C. x 1-1/2"	24	3150381	1	Clutch Linkage 5" - (incl. items 25 to 27 & 9)
9	0120384	4	Lockwasher - 1/2"	25	3150273	1	Linkage Rod - 15" Lg.
10	0120378	4	Hex Nut - 1/2" N.C.	26	6100127	2	Ball Joint - 1/2" N.F.
11	3150335	1	Clutch Linkage - Right (incl. items 12 to 15)	27	0120371	3	Hex Nut - 1/2" N.F.
12	3150186	1	Linkage Rod - 3-1/4 Lg.	28	3150193	1	Shifting Fork - 5" Clutch
13	0121358	6	Hex Nut - 5/8" N.F.	29	3150269	1	Pivot Hub & Plate
14	6000408	4	Ball Joint - 5/8" N.F.	30	3150322	1	Pivot Shaft
15	0121574	4	Lockwasher - 5/8"				
16	3150178	1	Shifting Fork - R. H. Clutch 8"				

Conveying Arrangement

These Deflector Assemblies Are Used
on Units with Serial Number Range K-3640,
K-3642, K-3644, K-3650, K-3652, K-3654 -
K-3665, K-3667 - K-3669, K-3671 thru K-3744

These Deflector Assemblies Are Used
on Units with Serial Number Range 063-
K-3639, K-3641, K-3643, K-3645 - K-3649,
K-3651, K-3653, K-3666 and K-3670

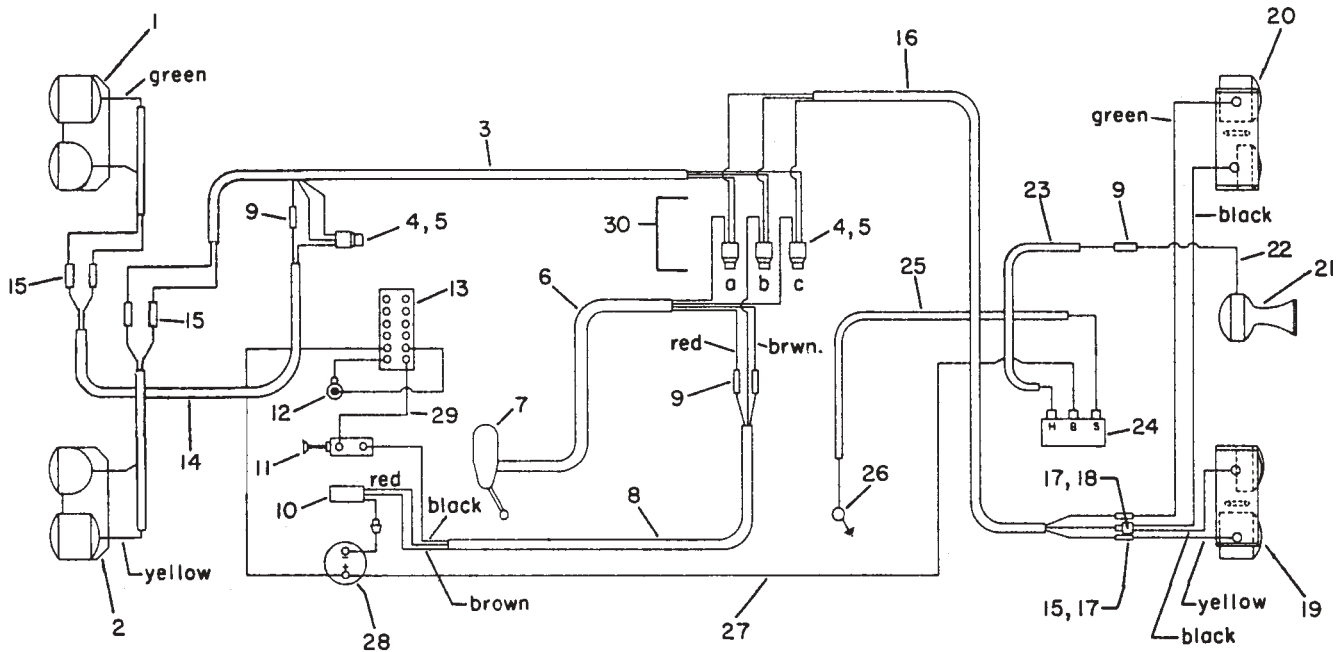


Conveying Arrangement

REF.	PART NO.	QTY.	DESCRIPTION	REF.	PART NO.	QTY.	DESCRIPTION
1	7215016	2	BELT ASM	64	NA		RETURN IDLER (NOT AVAILABLE- ORDER 7215015 RETURN IDLER KIT REF 11. THIS IS THE NEW STYLE IDLER WITH BEARINGS AND BRACKETS)
	7220037	2	BELT FASTENER KIT (1 BELT)				
2	3100092	42	IDLER ROLLER				
3	3100478	2	RETURN IDLER				
4	3130010	2	PULLEY WITH BUSHING				
	7840002	4	TAPER LOCK BUSHING	65	3130146	2	BELT HINGE PIN NS
5	3130051	2	SHAFT	66	3130198	1	CONVEYOR HOOD ASM=RIGHT
6	3140094	4	FLANGE BEARING	67	3130199	1	HOOD FRAME ASM=RIGHT
7	0120426	16	HEX BOLT 1/2 NC X 1 1/4	68	3130191	1	BAFFLE ASM=RIGHT
8	0131101	28	LOCK WASHER 1/2	69	9411027	3	STRAIGHT LUBE FITTING 1/4-28
9	0120378	28	HEX NUT 1/2 NC	70	0120384	7	LOCK WASHER
10	3100063	4	ADJUSTING ROD	71	6100107	1	LOCK NUT 3/4-10
11	7215015	2	FRONT RETURN IDLER ROLLER ASM	72	3140029	1	RUBBER KNOB
12	3130162	1	FRONT IDLER ROLLER ASM	73	3130184	1	CONVEYOR HOOD ASM=LEFT
13	3130176	2	FRONT IDLER MOUNTING BRACKET ASM	74	3130185	1	HOOD FRAME ASM=LEFT
14	3130167	2	FLANGE BEARING	75	3130200	1	BAFFLE ASM=LEFT
15	0120382	4	LOCK WASHER 3/8	76	9411027	3	STRAIGHT LUBE FITTING 1/4-28
16	0120388	8	FLAT WASHER 3/8	77	0120384	7	LOCK WASHER
17	3130025	2	TAIL PULLEY ASM	78	6100107	1	LOCKNUT 3/4-10
18	3130095	4	BEARING AND HOUSING ASM (INCL REF 19 AND 20)	79	3100114	1	LEVER
19	3130055	4	BEARING HOUSING	80	3140029	1	RUBBER KNOB
20	3100096	4	BEARING				AR=AS REQUIRED NS=NOT SHOWN NA=NOT AVAILABLE
21	3130083	4	ADJUSTING SCREW				
22	3100049	2	ALIGNMENT BRACKET=RIGHT				
23	3100050	2	ALIGNMENT BRACKET=LEFT				
24	3100174	12	BUTTON HEAD SCREW 1/2 NC X 1 1/2				
25	3130003	28	IDLER BRACKET				
26	0120233	AR	HEX BOLT 3/8 NC X 1				
27	0120382	64	LOCK WASHER 3/8				
28	0120377	64	HEX NUT 3/8 NC				
29	3100082	8	RETAINING FLAP				
30	3130053	4	CHUTE LINING 51 INCH				
31	3100125	2	RETAINING FLAP				
32	3130103	2	CHUTE LINING 16 1/2 INCH				
33	0220085	8	HEX NUT 5/8 NC				
34	3130129	4	REAR IDLER BRACKET				
35	3170061	4	KEY 3/8 X 2 SHAFT TO PULLEY				
36	6000195	2	KEY 3/8 X 1 1/2 SHAFT TO YOKE				
37	3100612	1	DEFLECTOR ASM=RIGHT				
38	3100613	1	HOOD=RIGHT				
39	3100103	1	BAFFLE ASM=RIGHT				
40	3100118	2	KEY 1/8 SQ X 1				
41	3100062	2	FLANGE				
42	3100073	2	SPRING				
43	3100112	2	SPACER				
44	3140029	2	RUBBER KNOB				
45	3100611	1	DEFLECTOR ASM=LEFT				
46	3100633	1	HOOD=LEFT				
47	3100106	1	BAFFLE ASM=LEFT				
48	3100114	1	LEVER				
49	3100008	4	ADJUSTING PIN				
50	3100007	4	HINGE PIN				
51	0273503	8	ROLL PIN 3/16 DIA X 1 1/8				
52	3130018	1	FLOW GATE=RIGHT				
	3130126	1	FLOW GATE=LEFT NS				
53	3130023	2	GUIDE				
54	3130022	1	SPACER				
55	0122145	4	HEX BOLT 3/8 NC X 1 1/4				
56	0125973	1	HEX BOLT 3/8 NC X 3 1/2				
57	3130021	2	SPACER				
58	3130016	1	ROD				
59	3130056	1	SPRING				
60	0453481	1	ROLL PIN 3/16 DIA X 1				
61	7215002	2	BELT ASM				
62	3100065	4	ROLLER HUB				
63	3100066	4	ROLLER PIN				

Electrical Lighting Diagram

Serial Number Range 162 thru K-3451, K-3455, K-3458, K-3459 and K-3462

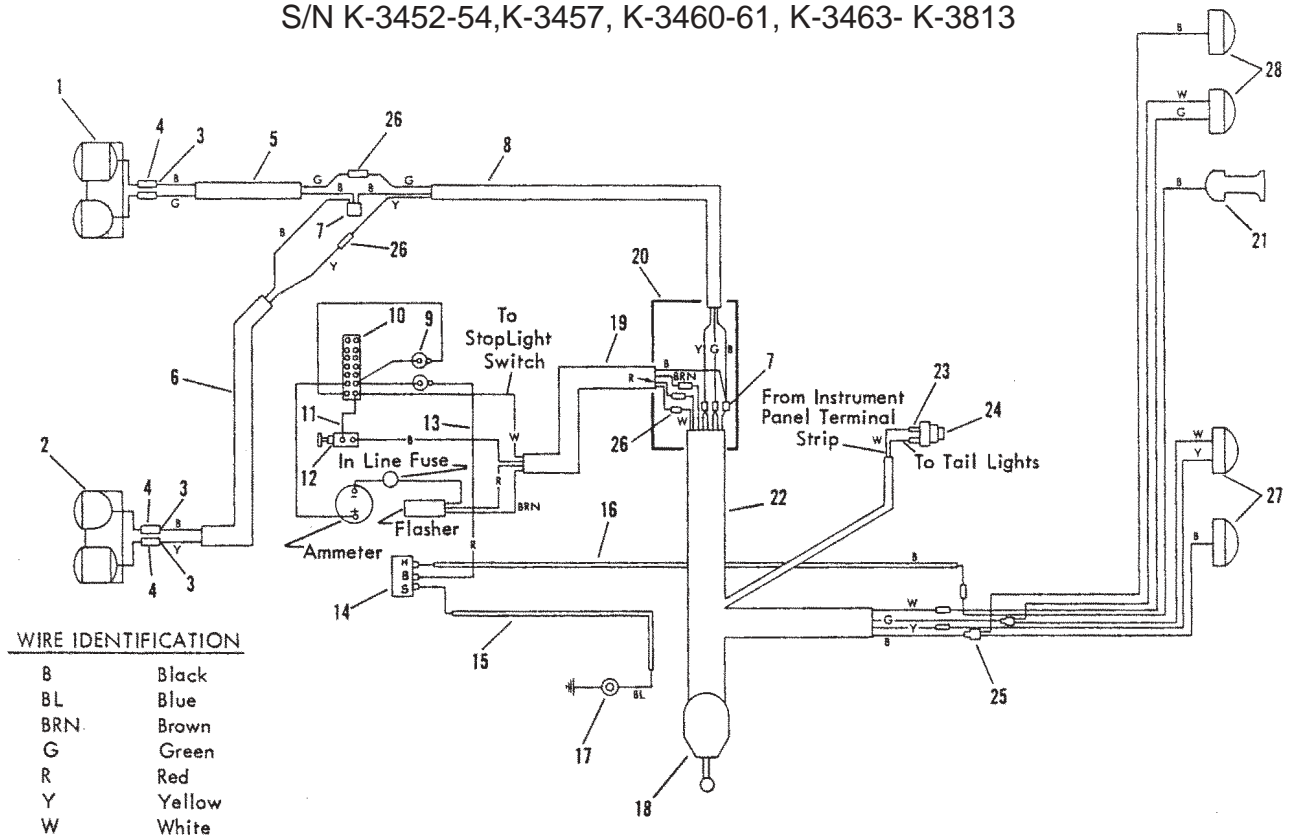


a - connection - green wires
b - connection - black wires
c - connection - yellow wires

REF.	PART NO.	QTY.	DESCRIPTION	REF.	PART NO.	QTY.	DESCRIPTION
1	3160105	1	Headlight Assy. - Right (incl. items 1A to 1F)	19C	3160111	1	Rear Light Brkt. Assy.
1A	3160064	1	Wiring Harness - #H	19D	6700121	1	Yellow Wire - 73" Lg. x 14 Ga.
1B	3160051	1	Brkt. - Front Light	19E	6700115	1	Black Wire - 73" Lg. x 14 Ga.
1C	3160018	1	Head Light	19F	3160115	1	"U" Bolt
1D	6700065	1	Light - Turn Signal	19G	9418936	2	Lock Nut - 1/2" N.C.
1E	0121887	2	Hex Bolt - 1/4" N.C. x 3/4"	19H	0132705	3	Rd. Hd. M.S. - #6-32 x 1/2" Lg.
1F	9418936	2	Lock Nut - 1/4" N.C.	19J	0131044	3	Lockwasher - #6
2	3160104	1	Headlight Assy. - Left (incl. items 2A, & 1B to 1F)	19K	0134530	3	M.S. Hex Nut - #6-32
2A	3160059	1	Wiring Harness - #C	19L	6000106	1	Fiber Loom - 3/16" Dia. x 5" Lg.
3	3160058	1	Wiring Harness - #B	20	3160156	1	Tail Light Assy. - Right (incl. items 20A to 20B, 19A to 19C & 19F to 19L)
4	6700004	4	Sleeve Connector	20A	6700117	1	Green Wire - 160" Lg. x 14 Ga.
5	6700005	4	Insulator	20B	6700115	1	Black Wire - 160" Lg. x 14 Ga.
6	3160063	1	Wiring Harness - #G	21	3160067	1	Horn
7	3160017	1	Turn Signal - W/Flasher	22	6700115	1	Black Wire - 155" Lg. x 14 Ga.
8	3160163	1	Wiring Harness - #J	23	3160107	1	Harness - Black
9	6700170	5	Connector	24	3160102	1	Relay
10	7500005	1	Flasher - (incl. w/turn signal)	25	3160109	1	Harness - Blue
11	6700188	1	Switch	26	3160103	1	Horn Button
12	3160056	1	Fuse Holder	27	3160106	1	Red Wire
13	3160001	1	Terminal Strip	28	3160100	1	Ammeter
14	3160060	1	Wiring Harness - #D	29	3160161	1	Jumper
15	6700128	6	Receptical	30	6700010	1	Unilet 3-Way Tee
16	3160057	1	Wiring Harness - #A	6700023		1	Gasket
17	6700129	12	Shur Plug	6700011		1	Cover
18	6700130	1	Connector	6700015		1	Connector
19	3160155	1	Tail Light Assy. - Left (incl. items 19A to 19L)				
19A	6700071	1	Light - Turn Signal				
19B	6700033	1	Lamp - Marker				

(N.I.) Not Illustrated

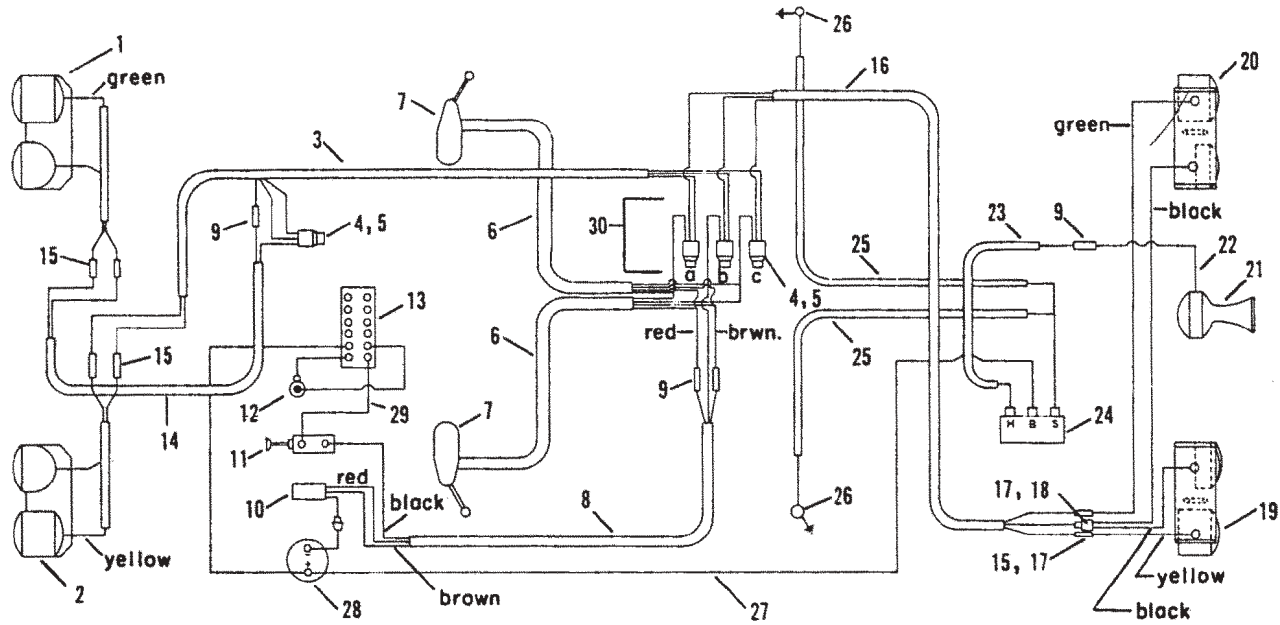
Electrical Lighting Diagram - Left Hand Drive
 S/N K-3452-54,K-3457, K-3460-61, K-3463- K-3813



REF.	PART NO.	QTY.	DESCRIPTION	REF.	PART NO.	QTY.	DESCRIPTION
1	3160105	1	RIGHT HEADLIGHT ASSEMBLY	21	3160067	1	HORN
	0121887	2	CAPSCREW 1/4 NC X 3/4	22	3160184	1	HARNES ASM-REAR LIGHTS
	3160018	1	LIGHT	23	6700657	2	SHUR PLUG RECEPTACLE 16-14 GA
	3160051	1	FRONT LIGHT BRACKET	24	6700656	1	STOP LIGHT SWITCH
	3160064	1	HARNES ASM	25	6300130	2	CONNECTOR
	6700065	1	DOUBLE FACE TURN SIGNAL	26	6700170	5	CONNECTOR
	9418936	2	LOCKNUT 1/4 NC	27	3160187	1	LEFT TAIL, STOP, TURN LIGHT ASM
2	3160104	1	LEFT HEADLIGHT ASSEMBLY	28	3160186	1	RIGHT TAIL, STOP, TURN LIGHT ASM
	0121887	2	CAPSCREW 1/4 NC X 3/4				
	3160018	1	LIGHT				
	3160051	1	FRONT LIGHT BRACKET				
	3160059	1	HARNES ASM				
	6700065	1	DOUBLE FACE TURN SIGNAL				
	9418931	2	LOCK NUT 1/4 NC				
3	6700129	15	SHUR PLUG				
4	6700128	6	SHUR PLUG RECEPTACLE				
5	3160060	1	RIGHT LIGHT HARNES ASSEMBLY				
6	3160189	1	LEFT LIGHT HARNES ASSEMBLY				
7	6700165	4	TERMINAL				
8	3160179	1	HARNES ASM-FRONT LIGHTS				
9	3160056	1	FUSE HOLDER ASSEMBLY				
	6700139	1	20 AMP FUSE				
10	3160001	1	TERMINAL STRIP				
11	3160161	1	JUMPER				
12	6700188	1	SWITCH				
13	3160106	1	HORN WIRE ASM-RED				
14	3160102	1	HORN RELAY				
15	3160109	1	HORN HARNES ASM-BLUE				
16	3160107	1	HORN HARNES ASM-BLACK				
17	3160103	1	HORN BUTTON				
18	3160017	1	TURN SIGNAL SWITCH W/ FLASHER				
19	3160185	1	HARNES ASM-PANEL TO LIGHTS				
20	6700010	1	UNILET TEE				
	6700011	1	UNILET COVER				
	6700023	1	UNILET GASKET				
	6700015	1	UNILET CONNECTOR				

Electric Lighting Diagram - Dual Control

S/N 162 Thru K-3451, K3455-56, K-3458-59, K-3462



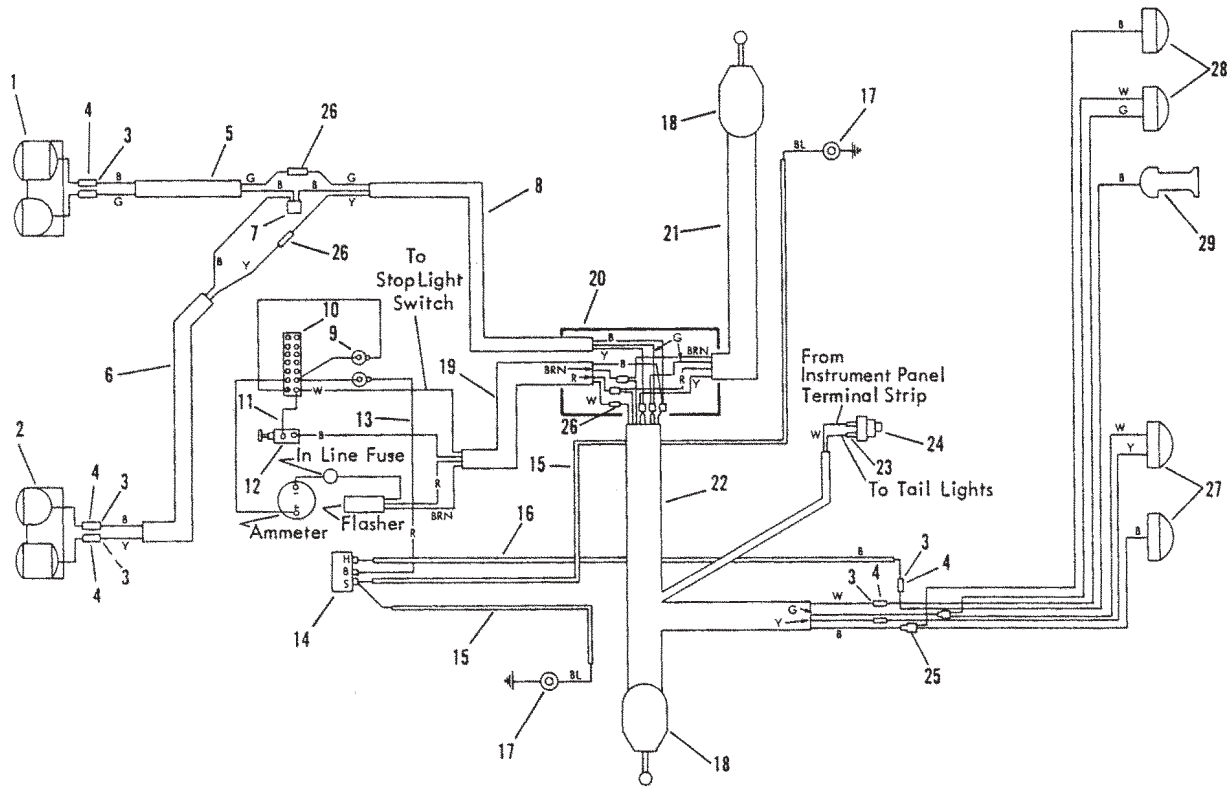
a - connection - green wires
 b - connection - black wires
 c - connection - yellow wires

REF.	PART NO.	QTY.	DESCRIPTION	REF.	PART NO.	QTY.	DESCRIPTION
1	3160105	1	Headlight Assy. - Right (incl. items 1A to 1F)	19C	3160111	1	Rear Light Brkt. Assy.
1A	3160064	1	Wiring Harness - #H	19D	6700121	1	Yellow Wire - 73" Lg. x 14 Ga.
1B	3160051	1	Brkt. - Front Light	19E	6700115	1	Black Wire - 73" Lg. x 14 Ga.
1C	3160018	1	Head Light	19F	3160115	1	"U" Bolt
1D	6700065	1	Light - Turn Signal	19G	9418936	2	Lock Nut - 1/4" N.C.
1E	0121887	2	Hex Bolt - 1/4" N.C. x 3/4"	19H	0132705	3	Rd. Hd. M.S. - #6-32 x 1/2" Lg.
1F	9418936	2	Lock Nut - 1/2" N.C.	19J	0131044	3	Lockwasher - #6
2	3160104	1	Headlight Assy. - Left (incl. items 2A, & 1B to 1F)	19K	0134530	3	M.S. Hex Nut - #6-32
2A	3160059	1	Wiring Harness - #C	19L	6000106	1	Fiber Loom - 3/16" Dia. x 5" Lg.
3	3160058	1	Wiring Harness - #B	20	3160156	1	Tail Light Assy. - Right (incl. items 20A to 20B, 19A to 19C & 19F to 19L)
4	6700004	4	Sleeve Connector	20A	6700117	1	Green Wire - 160" Lg. x 14 Ga.
5	6700005	4	Insulator	20B	6700115	1	Black Wire - 160" Lg. x 14 Ga.
6	3160063	2	Wiring Harness - #G	21	3160067	1	Horn
7	3160017	2	Turn Signal - W/Flasher	22	6700115	1	Black Wire - 155" Lg. x 14 Ga.
8	3160163	1	Wiring Harness - #J	23	3160107	1	Harness - Black
9	6700170	5	Connector	24	3160102	1	Relay
10		1	Flasher - (incl. w/turn signal)	25	3160109	2	Harness - Blue
11	6700188	1	Switch	26	3160103	2	Horn Button
12	3160056	1	Fuse Holder	27	3160106	1	Red Wire
13	3160001	1	Terminal Strip	28	3160100	1	Ammeter
14	3160060	1	Wiring Harness - #D	29	3160161	1	Jumper
15	6700128	6	Receptical	30	6700010	1	Unilet 3-Way Tee (N.I.)
16	3160057	1	Wiring Harness - #A		6700023	1	Gasket (N.I.)
17	6700129	12	Shur Plug		6700011	1	Cover (N.I.)
18	6700130	1	Connector		6700015	1	Connector (N.I.)
19	3160155	1	Tail Light Assy. - Left (incl. items 19A to 19L)				
19A	6700071	1	Light - Turn Signal				
19B	6700033	1	Lamp - Marker				

(N.I.) Not Illustrated

Electrical Lighting Diagram - Dual Control

S/N K-3452-54, K-3457, K-3460-61, K-3463 Thru K-3813



REF.	PART NO.	QTY.	DESCRIPTION	REF.	PART NO.	QTY.	DESCRIPTION
1	3160105	1	RIGHT HEADLIGHT ASSEMBLY	19	3160185	1	HARNASS ASM= PANEL TO LIGHTS
	0121887	2	CAPSCREW 1/4 NC X 3/4	20	6700010	AR	UNILET TEE
	3160018	1	LIGHT		6700011	AR	UNILET COVER
	3160051	1	FRONT LIGHT BRACKET		6700023	AR	UNILET GASKET
	3160064	1	HARNASS ASM		6700015	AR	UNILET CONNECTOR
	6700065	1	DOUBLE FACE TURN SIGNAL	21	3160188	1	HARNASS ASM=RT TURN SIG SWITCH
	9*18936	2	LOCK NUT 1/4 NC	22	3160184	1	HARNASS ASM=REAR LIGHTS
2	3160104	1	LEFT HEADLIGHT ASSEMBLY	23	6700657	2	RECEPTACLE
	0121887	2	CAPSCREW 1/4 NC X 3/4	24	6700656	1	STOP LIGHT SWITCH
	3160018	1	LIGHT	25	6300130	2	CONNECTOR
	3160051	1	FRONT LIGHT BRACKET	26	6700170	AR	CONNECTOR
	3160059	1	HARNASS ASM	27	3160187	1	LEFT TAIL, STOP, TURN LIGHT ASM
	6700065	1	DOUBLE FACE TURN SIGNAL	28	3160186	1	RIGHT TAIL, STOP, TURN LIGHT ASM
	9*18931	2	LOCK NUT 1/4 NC	29	3160067	1	HORN
3	6700129	AR	SHUR PLUG				
4	6700128	7	RECEPTACLE				
5	3160060	1	LIGHT HARNASS ASM=RIGHT				
6	3160189	1	LIGHT HARNASS ASM=LEFT				
7	6700165	AR	TERMINAL				
8	3160179	1	HARNASS ASM=FRONT LIGHTS				
9	3160056	1	FUSE HOLDER ASSEMBLY				
	6700139	1	20 AMP FUSE				
10	3160001	1	TERMINAL STRIP				
11	3160161	1	JUMPER				
12	6700188	1	SWITCH				
13	3160106	1	HORN WIRE ASM=RED				
14	3160102	1	HORN RELAY				
15	3160109	2	HORN HARNASS ASM=BLUE				
16	3160107	1	HORN HARNASS ASM=BLACK				
17	3160103	2	HORN BUTTON				
18	3160017	2	TURN SIGNAL SWITCH W/ FLASHER				

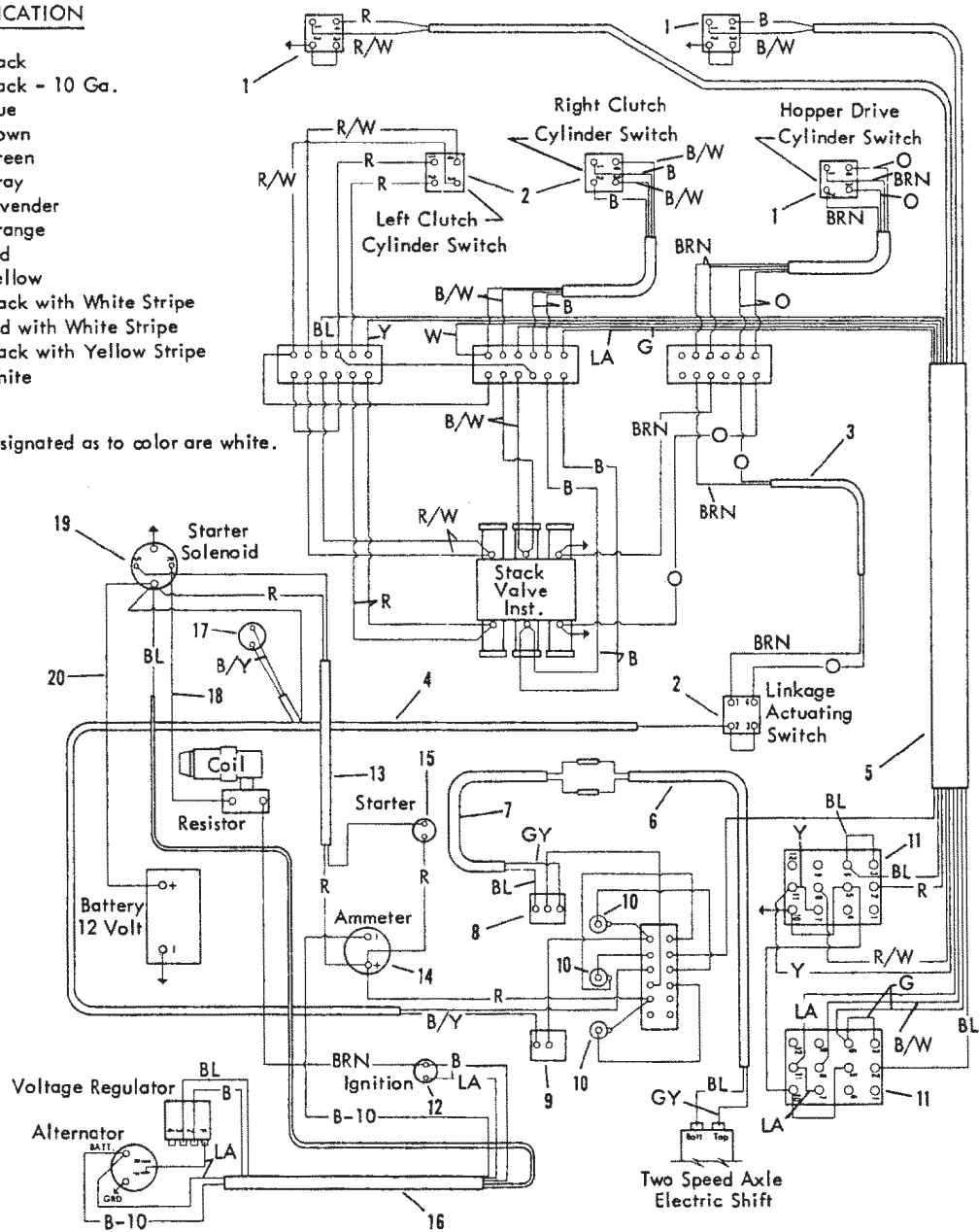
Electrical Schematic Diagram - IHC Gasoline Engine

S/N 228 Thru K-3654, K-3665-66 & K-3670

WIRE IDENTIFICATION

B	Black
B-10	Black - 10 Ga.
BL	Blue
BRN	Brown
G	Green
GY	Gray
LA	Lavender
OR	Orange
R	Red
Y	Yellow
B/W	Black with White Stripe
R/W	Red with White Stripe
B/Y	Black with Yellow Stripe
W	White

Note: All wires not designated as to color are white.



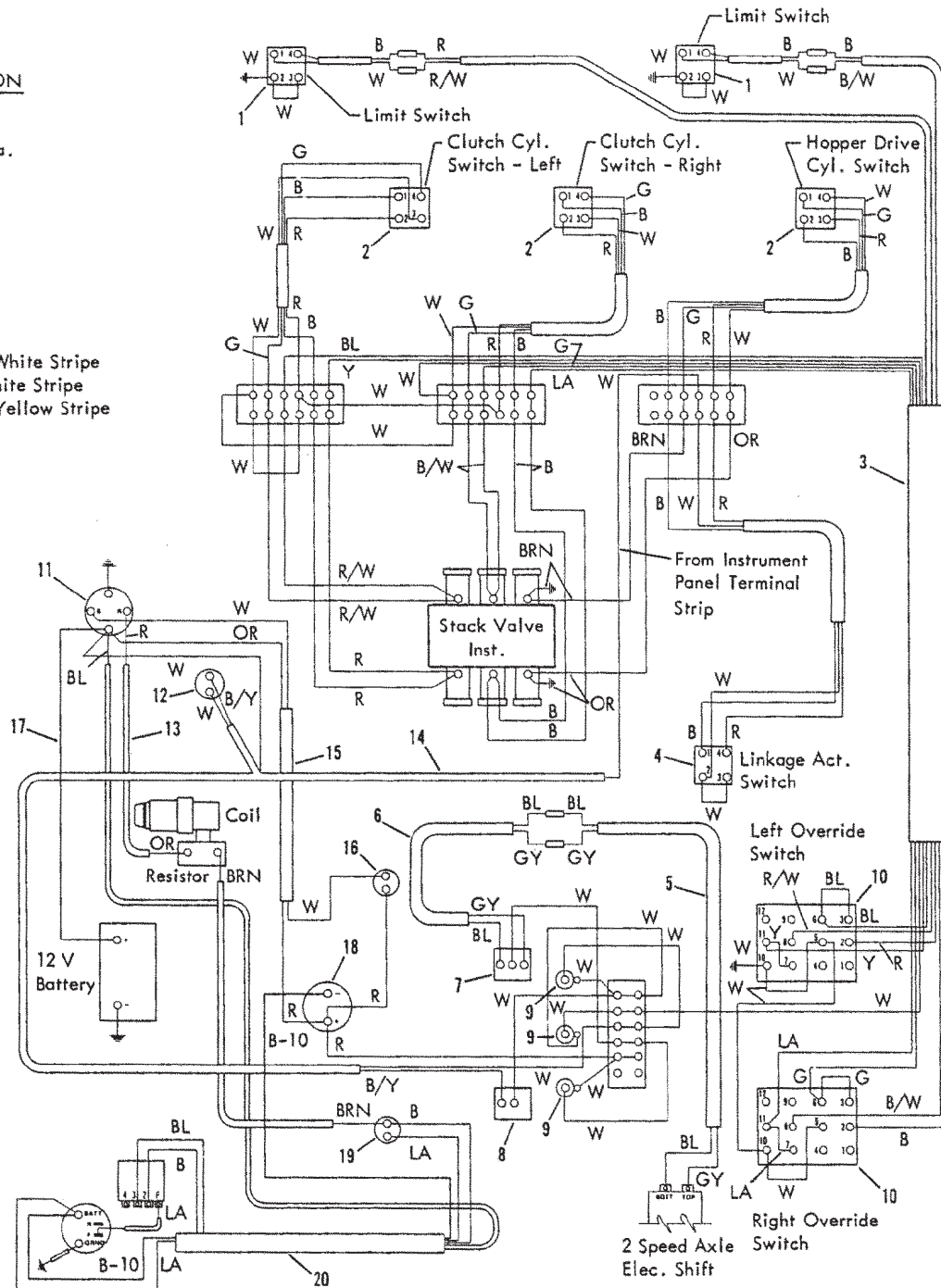
REF.	PART NO.	QTY.	DESCRIPTION	REF.	PART NO.	QTY.	DESCRIPTION
1	3160042	3	LIMIT SWITCH	15	3160098	1	STARTER BUTTON
2	3160117	3	LIMIT SWITCH	17	3160016	1	OIL PRESSURE SWITCH
3	3160073	1	HARNESS ASSEMBLY NO. 1	16	3160079	1	HARNESS ASSEMBLY NO. 7
4	3160074	1	HARNESS ASSEMBLY NO. 2	18	3160080	1	HARNESS ASSEMBLY NO. 8
5	3160084	1	HARNESS ASSEMBLY NO. 12	19	3160121	1	STARTER SOLENOID
6	3160097	2	HARNESS ASSEMBLY NO. 15	20	3160013	1	BATTERY CABLE ASM ** IN
7	3160077	1	HARNESS ASSEMBLY NO. 5				
8	3160005	1	TWO SPEED SWITCH				
9	3160006	1	DISCONNECT SWITCH				
10	3160056	3	FUSE HOLDER				
11	3160009	2	VERRIDE SWITCH=DOUBLE THROW				
12	3160110	1	IGNITION SWITCH				
13	3160144	1	HARNESS ASSEMBLY NO. 4				
14	3160100	1	AMMETER				

Electrical Schematic Diagram - IHC Gasoline Engine

S/N K-3655 Thru K-3664, K-3667-69, K-3671 Thru K-3813

WIRE IDENTIFICATION

B	Black
B-10	Black-10 Ga.
BL	Blue
BRN	Brown
G	Green
GY	Gray
LA	Lavender
OR	Orange
R	Red
Y	Yellow
B/W	Black with White Stripe
R/W	Red with White Stripe
B/Y	Black with Yellow Stripe
W	White



REF.	PART NO.	QTY.	DESCRIPTION	REF.	PART NO.	QTY.	DESCRIPTION
1	3160042	2	LIMIT SWITCH	12	3160016	1	OIL PRESSURE SWITCH
2	3160117	3	CYLINDER SWITCH	13	3160080	1	HARNES NO. 8
3	3160084	1	HARNES NO. 12	14	3160074	1	HARNES NO. 2
4	3160042	1	LINKAGE ACTUATING SWITCH	15	3160076	1	HARNES NO. 4
5	3160097	1	HARNES NO. 15	16	3160098	1	STARTER
6	3160077	1	HARNES NO. 5	17	3160013	1	BATTERY CABLE
7	3160005	1	TWO SPEED SWITCH	18	3160100	1	AMMETER
8	3160006	1	DISCONNECT SWITCH	19	3160110	1	IGNITION
9	3160056	3	FUSE HOLDER	20	3160144	1	HARNES NO. 15
10	3160009	2	VERRIDE SWITCH				
11	3160121	1	STARTER SOLENOID				

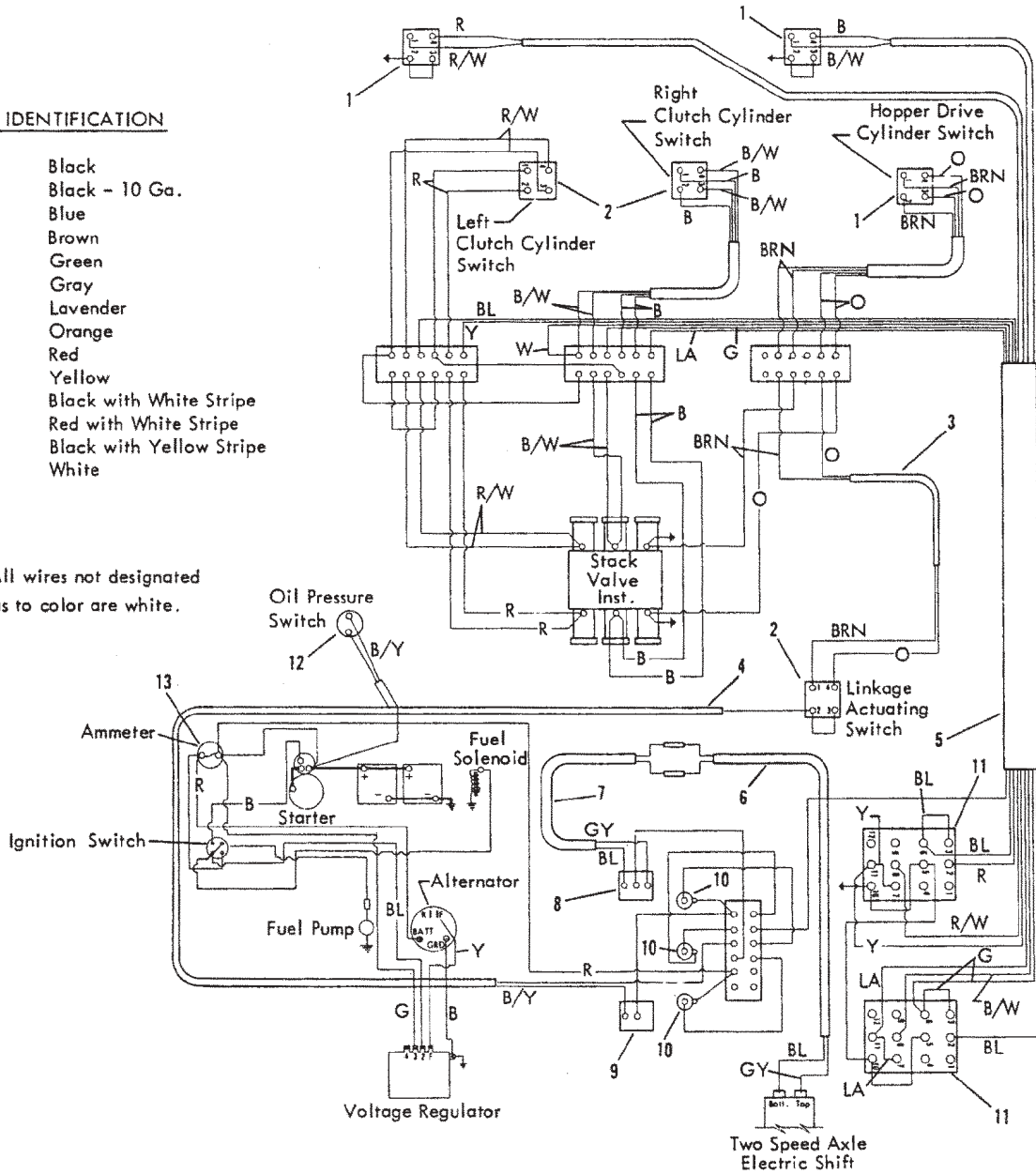
Electrical Schematic Diagram - IHC Diesel Engine

S/N 228 Thru K-3654, K-3665-66 & K-3670

WIRE IDENTIFICATION

B	Black
B-10	Black - 10 Ga.
BL	Blue
BRN	Brown
G	Green
GY	Gray
LA	Lavender
OR	Orange
R	Red
Y	Yellow
B/W	Black with White Stripe
R/W	Red with White Stripe
B/Y	Black with Yellow Stripe
W	White

Note: All wires not designated as to color are white.



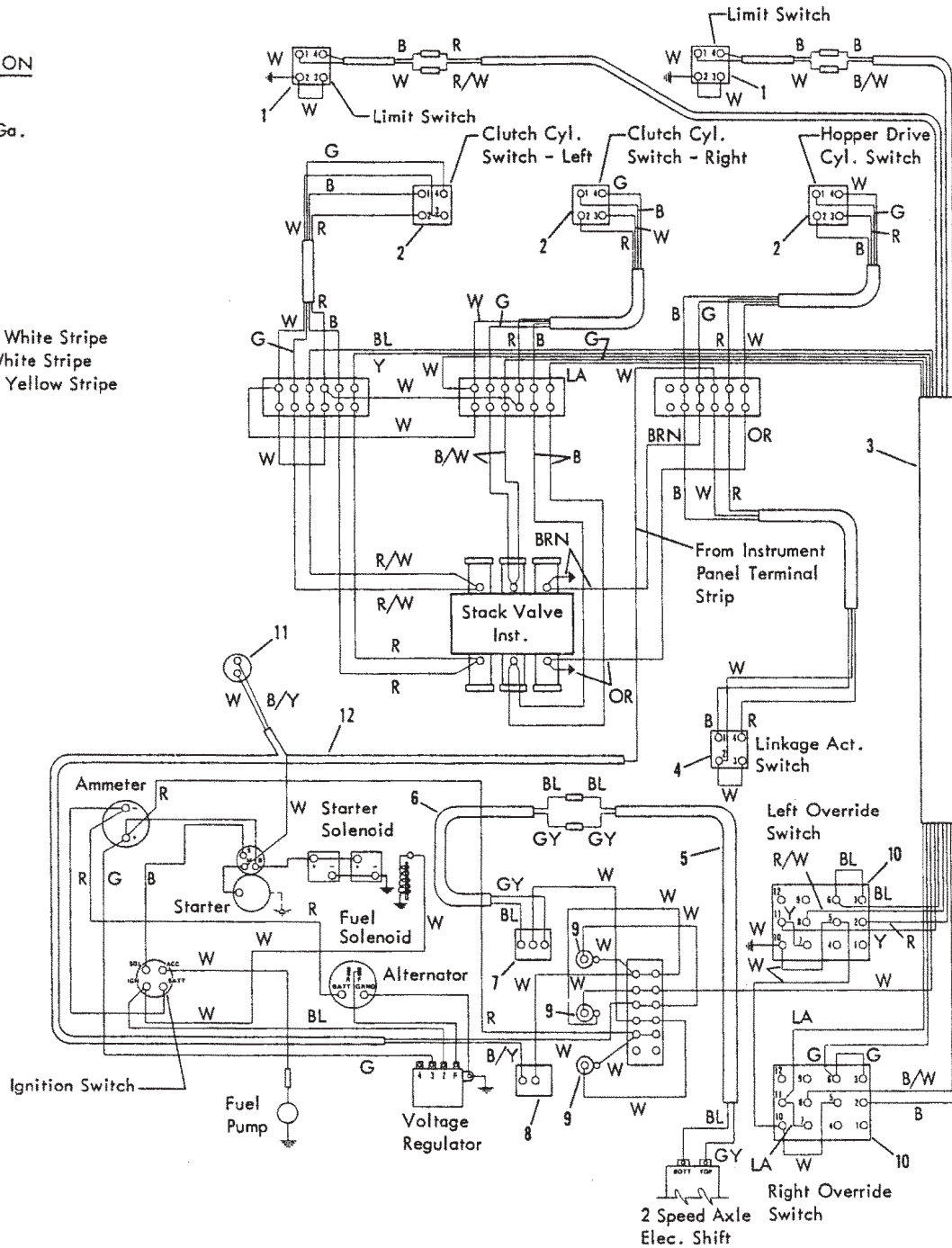
REF.	PART NO.	QTY.	DESCRIPTION	REF.	PART NO.	QTY.	DESCRIPTION
1	31600*2	3	LIMIT SWITCH				
2	3160117	3	LIMIT SWITCH				
3	3160073	1	HARNESS ASSEMBLY NO. 1				
4	3160074	1	HARNESS ASSEMBLY NO. 2				
5	3160084	1	HARNESS ASSEMBLY NO. 12				
6	3160097	1	HARNESS ASSEMBLY NO. 15				
7	3160077	1	HARNESS ASSEMBLY NO. 5				
8	3160005	1	TWO SPEED SWITCH				
9	3160006	1	DISCONNECT SWITCH				
10	3160056	3	FUSE HOLDER				
11	3160009	2	OVERRIDE SWITCH-DOUBLE THROW				
12	3160016	1	OIL PRESSURE SWITCH				
13	3160100	1	AMMETER				

Electrical Schematic Diagram - IHC Diesel Engine

S/N K-3655 Thru K-3664, K-3667-69, K-3671 Thru K-3813

WIRE IDENTIFICATION

B	Black
B-10	Black-10 Ga.
BL	Blue
BRN	Brown
G	Green
GY	Gray
LA	Lavender
OR	Orange
R	Red
Y	Yellow
B/W	Black with White Stripe
R/W	Red with White Stripe
B/Y	Black with Yellow Stripe
W	White



REF.	PART NO.	QTY.	DESCRIPTION	REF.	PART NO.	QTY.	DESCRIPTION
1	3160042	2	LIMIT SWITCH	12	3160074	1	HARNESS NO. 2
2	3160117	3	CYLINDER SWITCH				
3	3160084	1	HARNESS NO. 12				
4	3160042	1	LINKAGE ACTUATING SWITCH				
5	3160097	1	HARNESS NO. 15				
6	3160077	1	HARNESS NO. 5				
7	3160005	1	TWO SPEED SWITCH				
8	3160006	1	DISCONNECT SWITCH				
9	3160056	3	FUSE HOLDER				
10	3160009	2	VERRIDE SWITCH				
11	3160016	1	OIL PRESSURE SWITCH				

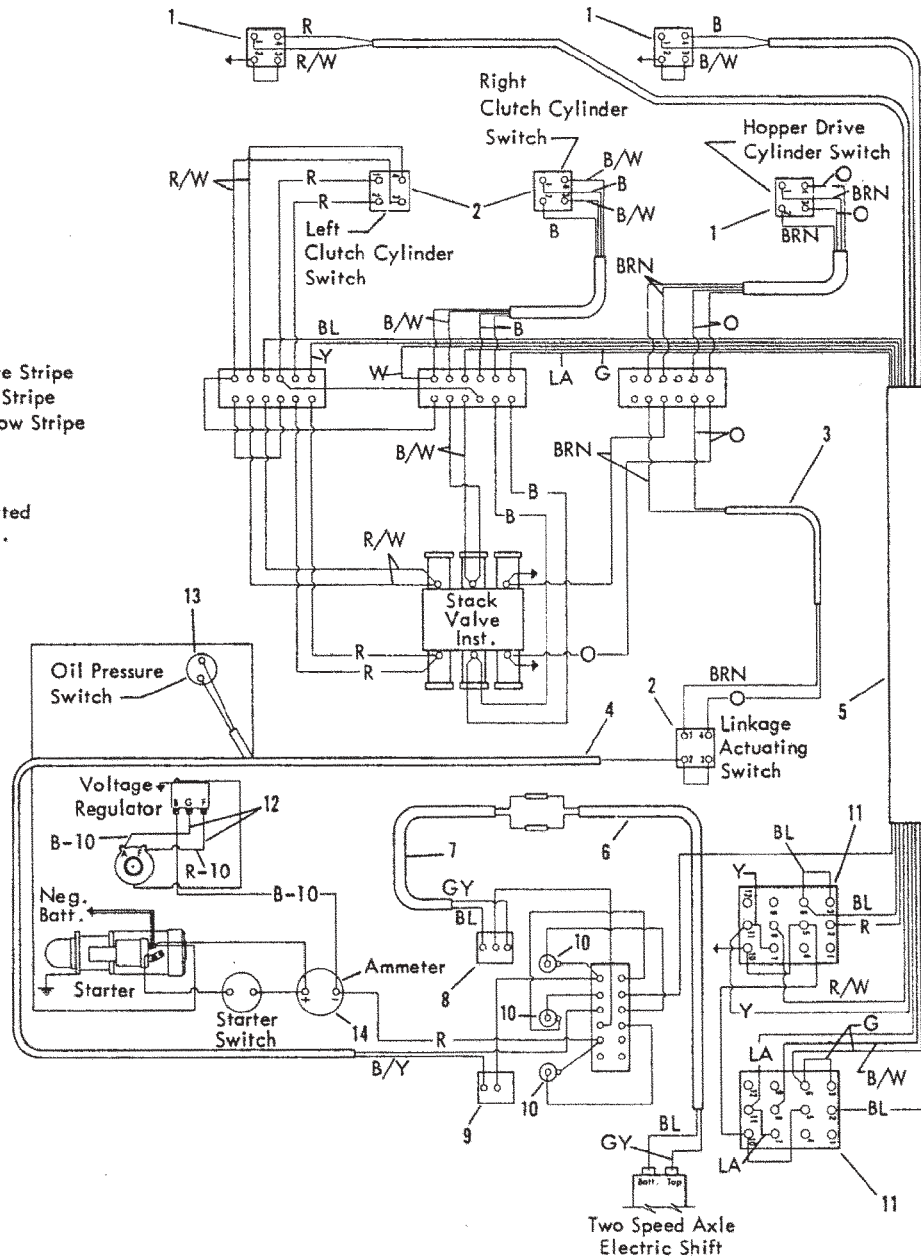
Electrical Schematic Diagram - GMC Engine

S/N 228 Thru K3654, K-3665-66 & K-3670

WIRE IDENTIFICATION

B	Black
B-10	Black - 10 Ga.
BL	Blue
BRN	Brown
G	Green
GY	Gray
LA	Lavender
OR	Orange
R	Red
Y	Yellow
B/W	Black with White Stripe
R/W	Red with White Stripe
B/Y	Black with Yellow Stripe
W	White

Note: All wires not designated as to color are white.



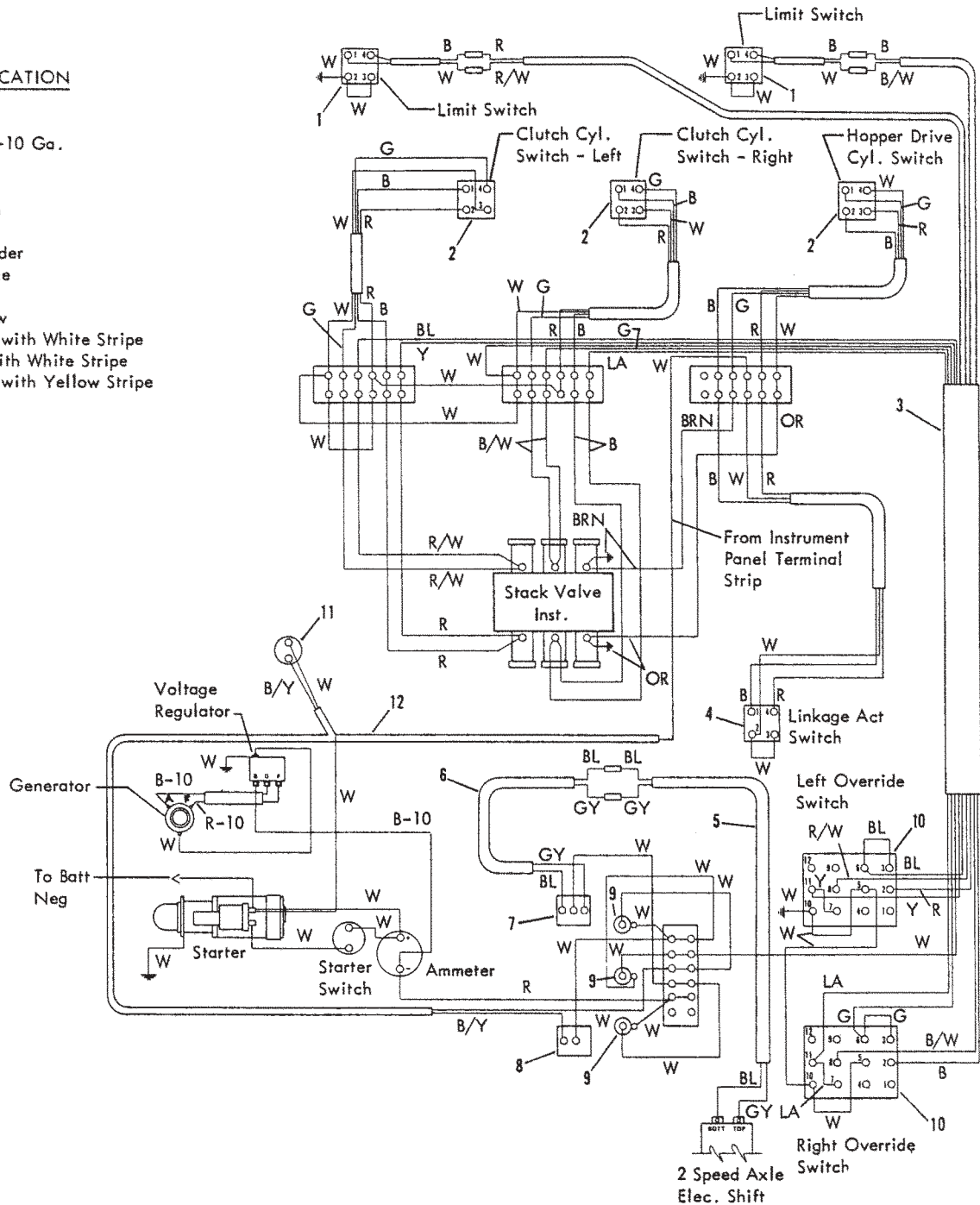
REF.	PART NO.	QTY.	DESCRIPTION	REF.	PART NO.	QTY.	DESCRIPTION
1	3160042	3	LIMIT SWITCH				
2	3160117	3	LIMIT SWITCH				
3	3160073	1	HARNESS ASSEMBLY NO. 1				
4	3160074	1	HARNESS ASSEMBLY NO. 2				
5	3160084	1	HARNESS ASSEMBLY NO. 12				
6	3160097	1	HARNESS ASSEMBLY NO. 15				
7	3160077	1	HARNESS ASSEMBLY NO. 5				
8	3160005	1	TWO SPEED SWITCH				
9	3160006	1	DISCONNECT SWITCH				
10	3160056	3	FUSE HOLDER				
11	3160009	2	OVERSIDE SWITCH-DOUBLE THROW				
12	3190408	1	HARNESS ASSEMBLY-REG TO GEN				
13	3160016	1	OIL PRESSURE SWITCH				
14	3160100	1	AMMETER				

Electrical Schematic Diagram - GMC Diesel Engine

S/N K-3655 Thru K-3664, K-3667-69, K-3671 Thru K3813

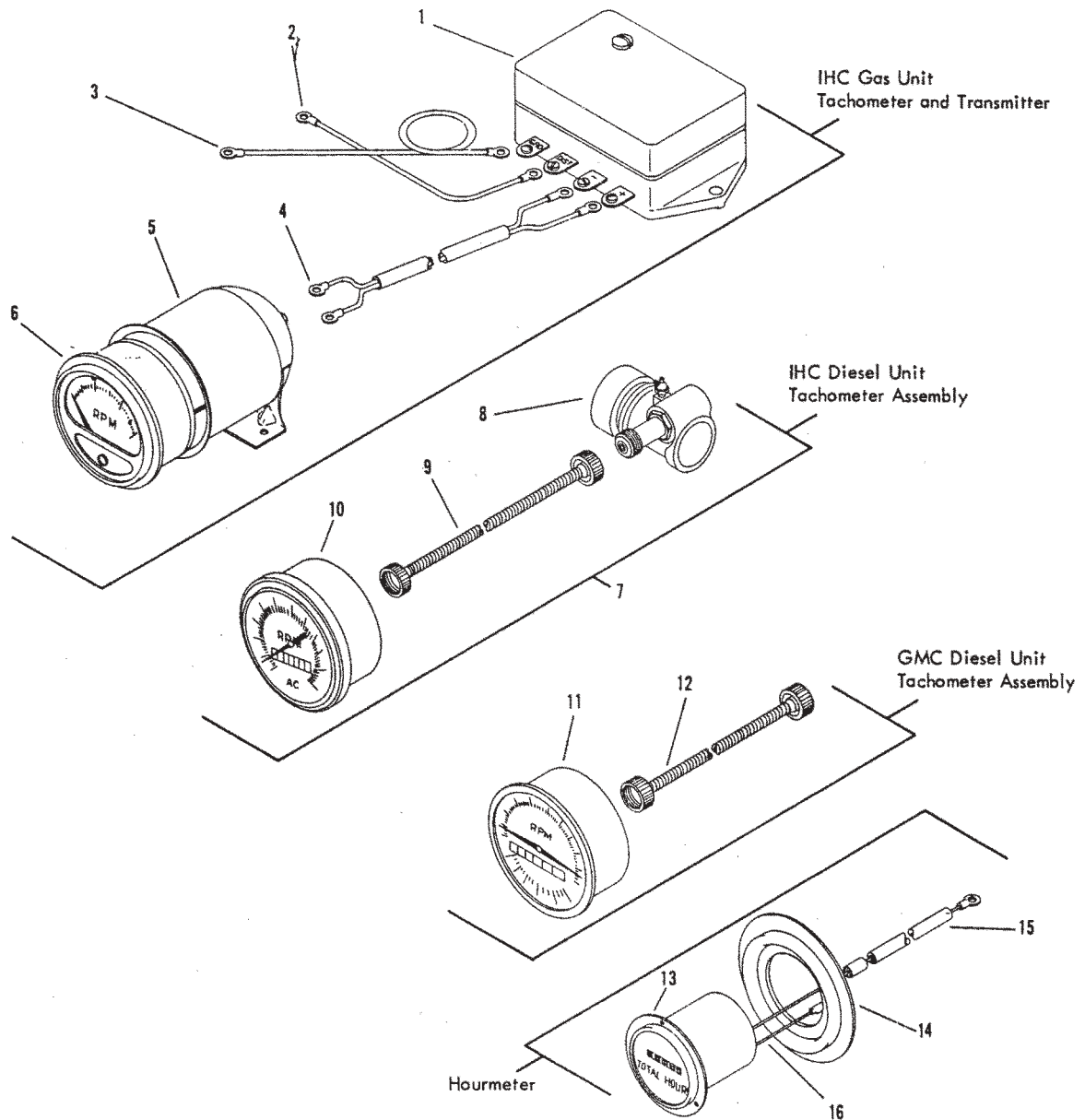
WIRE IDENTIFICATION

B	Black
B-10	Black-10 Ga.
BL	Blue
BRN	Brown
G	Green
GY	Gray
LA	Lavender
OR	Orange
R	Red
Y	Yellow
B/W	Black with White Stripe
R/W	Red with White Stripe
B/Y	Black with Yellow Stripe
W	White



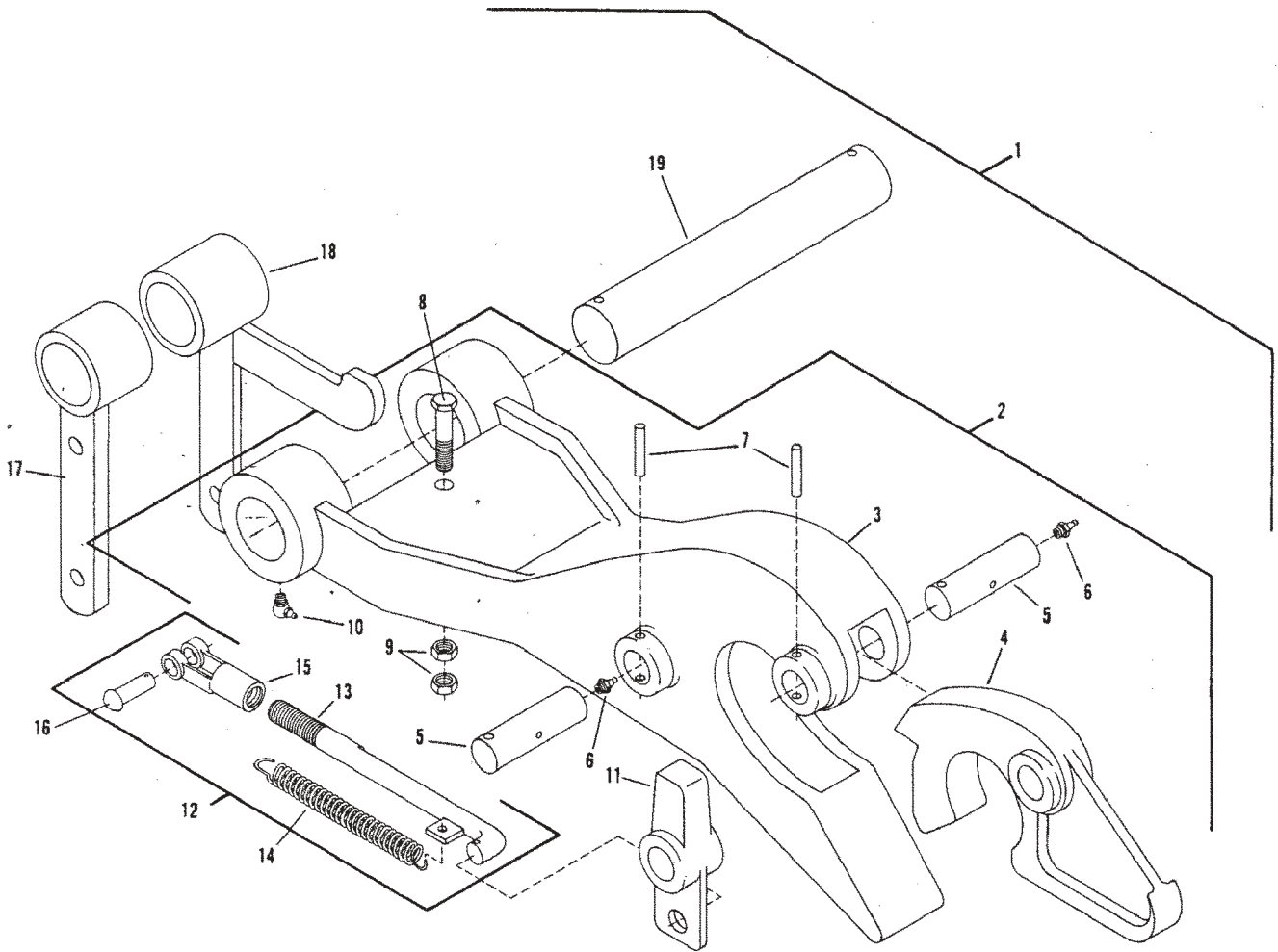
REF.	PART NO.	QTY.	DESCRIPTION	REF.	PART NO.	QTY.	DESCRIPTION
1	3160042	2	LIMIT SWITCH				
2	3160117	3	CYLINDER SWITCH				
3	3160084	1	HARNES NO. 12				
4	3160042	1	LINKAGE ACTUATING SWITCH				
5	3160097	1	HARNES NO. 15				
6	3160077	1	HARNES NO. 5				
7	3160005	1	TWO SPEED SWITCH				
8	3160006	1	DISCONNECT SWITCH				
9	3160056	3	FUSE HOLDER				
10	3160009	2	VERRIDE SWITCH				
11	3160016	1	OIL PRESSURE SWITCH				
12	3160074	1	HARNES NO. 2				

Tachometers & Hour Meter Assemblies



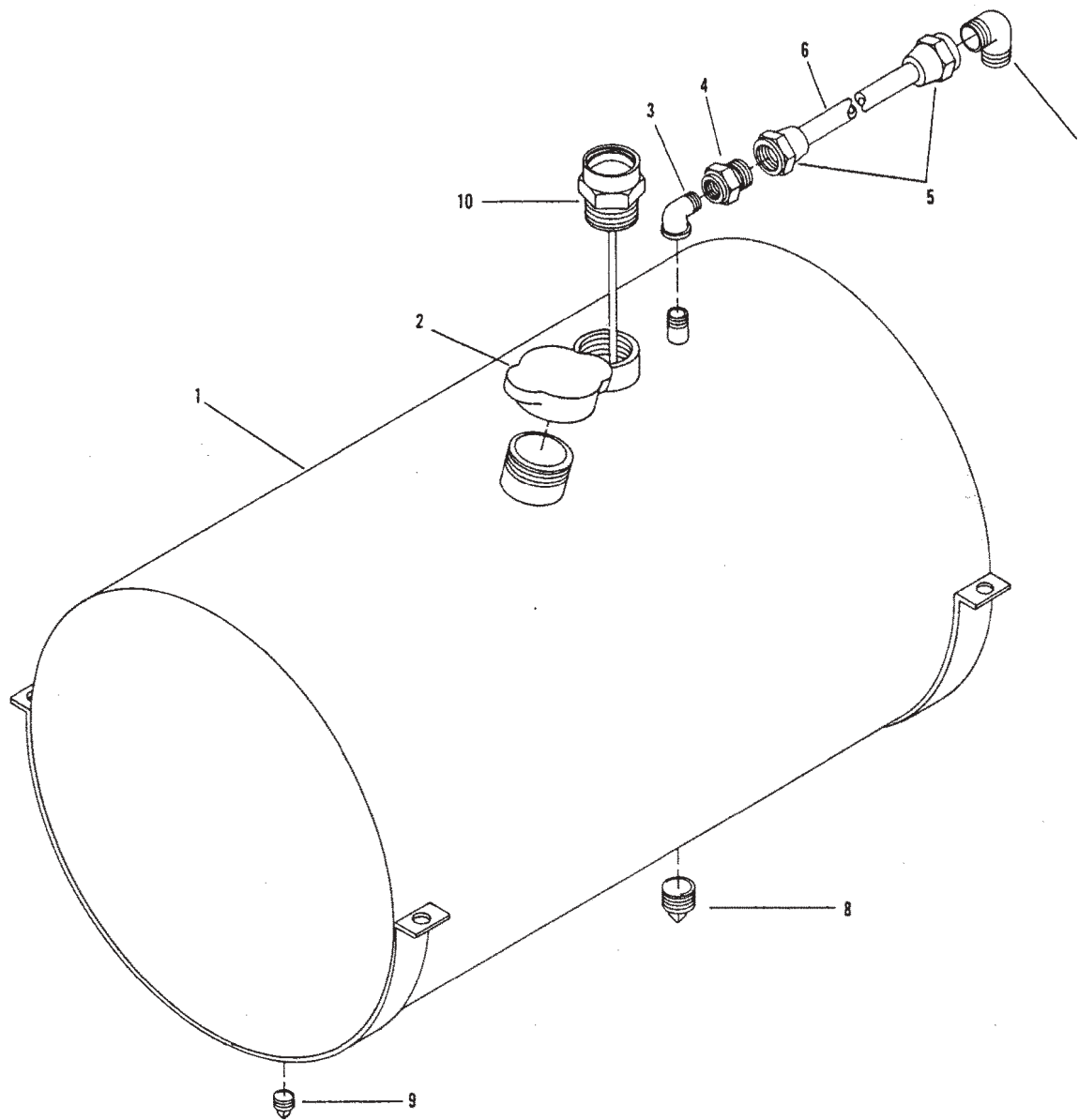
REF.	PART NO.	QTY.	DESCRIPTION	REF.	PART NO.	QTY.	DESCRIPTION
1	3160069	1	TRANSMITTER-12V	15	3160181	1	HARNESS ASM
2	3160147	1	HARNESS-RED	16	3160178	1	WIRE ASM
3	3160148	1	HARNESS-WHITE				
4	3160149	1	HARNESS-BLUE AND GREEN				
5	3160143	1	MOUNTING BRACKET				
6	3160068	1	TACHOMETER-12V				
7	6400093	1	TACHOMETER AND ANGLE DRIVE ASM				
8	7350036	1	ANGLE DRIVE				
9	7350035	1	CABLE				
10	7350034	1	TACHOMETER				
11	6400095	1	TACHOMETER				
12	6400096	1	CABLE				
13	6700475	1	HOUR METER				
14	6700002	1	DAMPER				

Truck Hitch



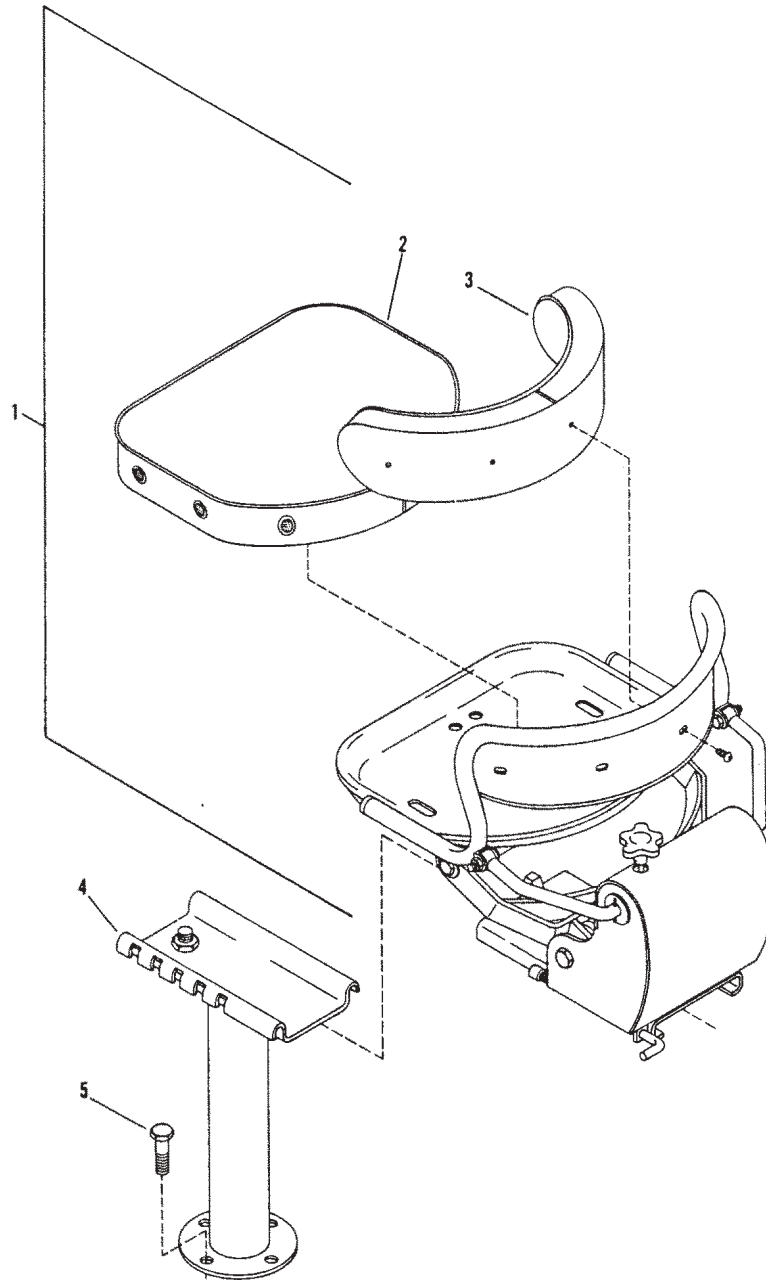
REF.	PART NO.	QTY.	DESCRIPTION	REF.	PART NO.	QTY.	DESCRIPTION
1	3130005	1	HITCH-REAR ASM (INCL ITMS 2-19)				
2	3130132	1	BODY ASM-HITCH				
3	3130006	1	BODY-HITCH				
4	3130009	1	LATCH-LOCKING				
5	3130007	2	SHAFT-LATCH				
6	0126129	2	FITTING=LUBE, 0.25, STRAIGHT				
7	0457008	2	PIN-SPRING, 0.19X1.50, HV, PN				
8	0122181	1	SCREW-HEX, 0.38NCX2.00, GR2, PD				
9	0120377	2	NUT-HEX, 0.38NC, PD				
10	0109462	2	FITTING=LUBE, 0.12 X 90 DEG				
11	3130008	1	DOG-LATCH				
12	3130133	1	CONNECTING LEVER ASM				
13	3130013	1	LEVER-DOG CONN				
14	3100077	1	SPRING-EXT, .510 ID X 5 LG				
15	6000367	1	CLEVIS-0.62NC W/ 0.53 HOLE				
16	6000401	1	RIVET-RD, HD, .5X1.5LG, DRILLED				
17	3130012	1	LEVER-DOG ASM				
18	3130011	1	ARM-LIFTING ASM				
19	3130004	1	SHAFT-HITCH PIVOT				

Fuel Supply Installation



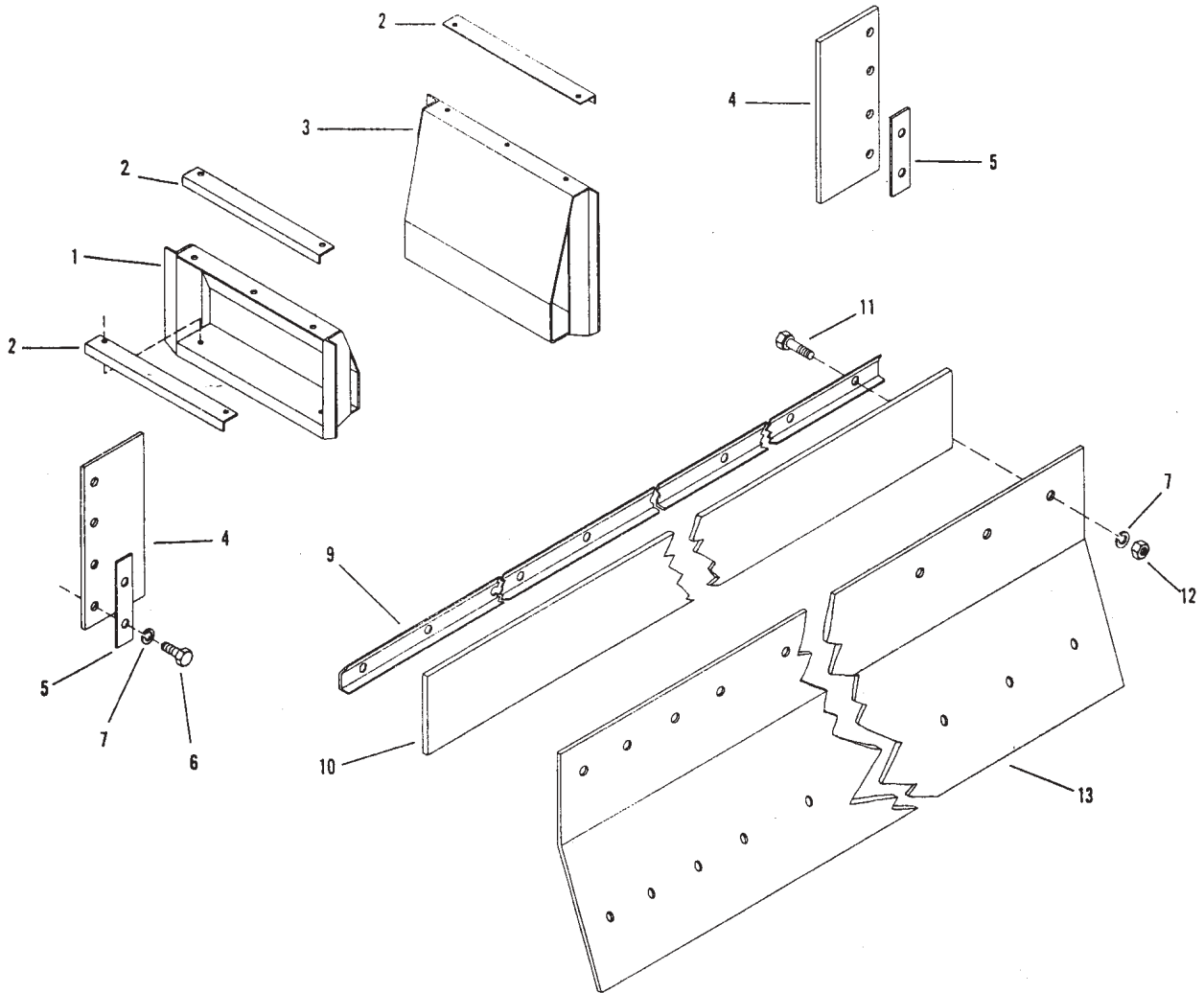
REF.	PART NO.	QTY.	DESCRIPTION	REF.	PART NO.	QTY.	DESCRIPTION
1	3100023	1	FUEL TANK-42.5 U.S. GALLONS				
2	3330025	1	CAP AS-1				
	3330027	1	GASKET				
3	0105423	1	STREET ELBOW 1/4 NPT X 90 DEG				
4	9409908	1	FEMALE TO MALE CONNECTION 1/4 NPT TO 5/16 TUBING				
5	0118538	2	FLARE NUT 5/16 TUBING				
6	AR		COPPER TUBING 5/16 OD X .032 WALL				
7	0142664	1	MALE CONNECTION 5/16 TUBING TO 1/4 NPT				
8	0219303	1	PIPE PLUG 1 NPT				
9	0219191	1	PIPE PLUG 3/8 NPT				
10	3331103	1	MECHANICAL FUEL GAGE				

Operators Seat Assembly



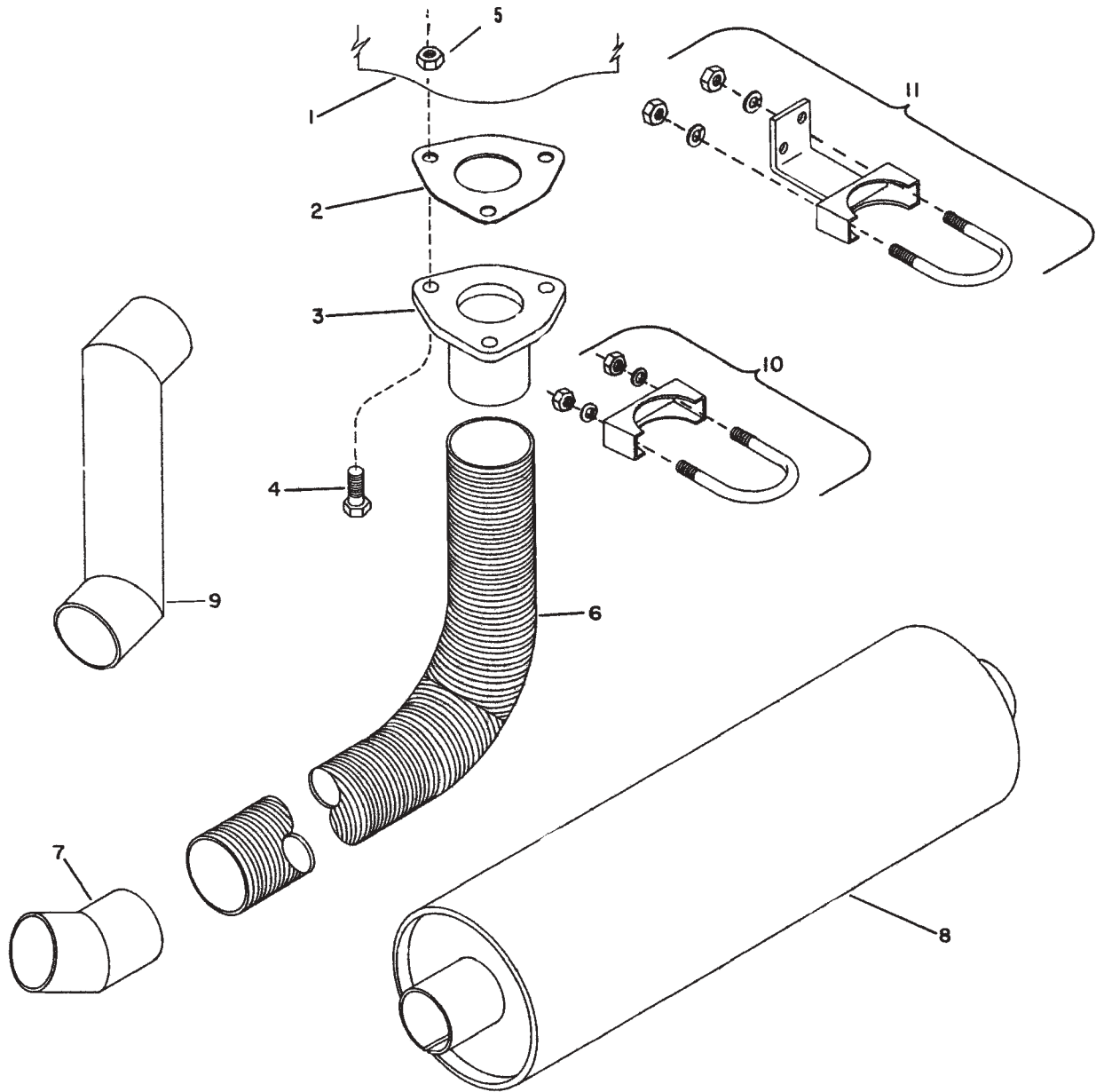
REF.	PART NO.	QTY.	DESCRIPTION	REF.	PART NO.	QTY.	DESCRIPTION
1	3100138	1	SEAT ASM=OPERATORS (INCLUDES BACK AND CUSHION)				
2	3100366	1	CUSHION AND COVER ASM				
3	3100369	1	PAD=BACK				
4	3120050	1	SUPPORT=SEAT POST				
5	0122145	4	SCREW=HEX,0.38NCX1.25,GR2,PD				

Receiving Hopper Components



REF.	PART NO.	QTY.	DESCRIPTION	REF.	PART NO.	QTY.	DESCRIPTION
1	310028	1	OPERATORS STEP				
2	3100222	4	TREAD STEP				
3	3100017	1	CATWALK STEP				
4	3130079	2	LINING				
5	3130088	2	SUPPORT				
6	0122446	4	HEX BOLT 1/2 NC X 1 3/4				
7	0120384	18	LOCK WASHER 1/2				
8	3130014	1	LINING BRACKET-RIGHT				
9	3130069	1	LINING BRACKET-LEFT				
10	3130056	1	REC HOPPER LINING				
11	0122459	14	HEX BOLT 1/2 NC X 2				
12	0220073	14	HEX NUT 1/2 NC				
13	3130100	1	LINING ANGLE				

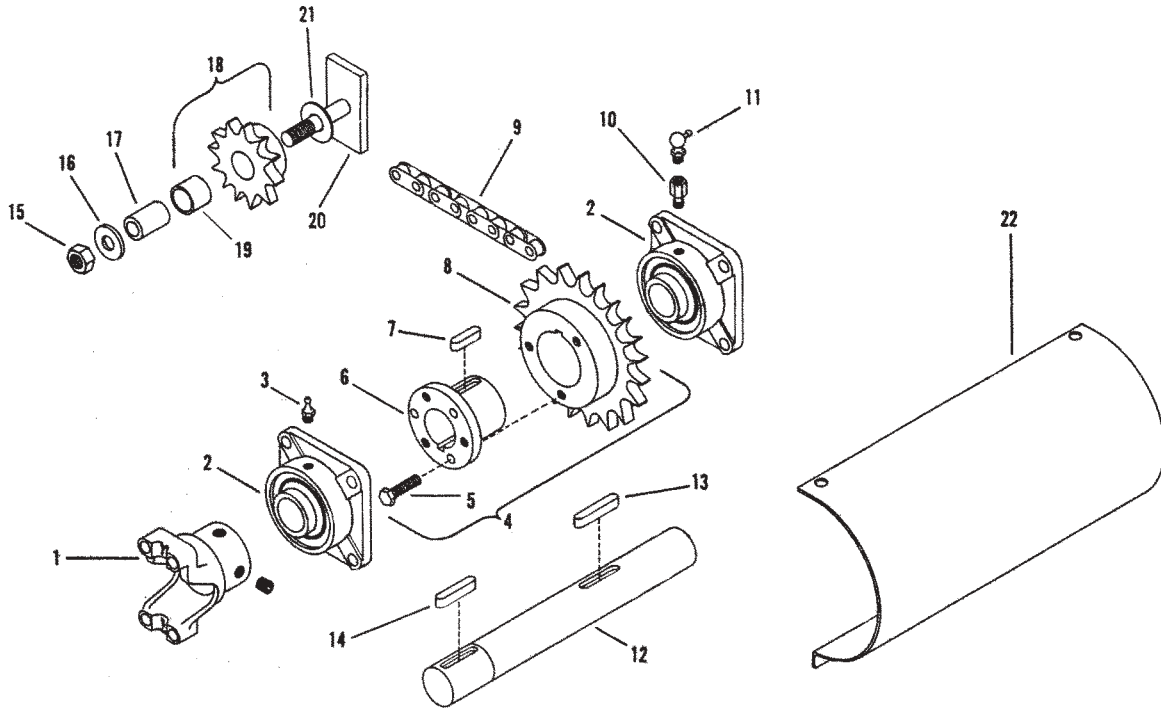
Exhaust System



REF.	PART NO.	QTY.	DESCRIPTION	REF.	PART NO.	QTY.	DESCRIPTION
1	7350002	1	Manifold	8	6400044	1	Muffler
2	6400050	1	Gasket	9	3100659	1	Exhaust Outlet
3	3100650	1	Exhaust Header	10	6000492	2	Clamp Assy. - 2-1/2"
4	0122150	3	Hex Bolt - 3/8" N.C. x 1-3/8"	11	3100656	1	Hangar Brkt. Clamp - 2-1/2"
5	9418871	3	Lock Nut - 3/8" N.C.		3100658	1	Hangar Brkt. Clamp - 2-1/4"
6	3100653	1	Flexible Tubing				
7	3100654	1	Exhaust Inlet				

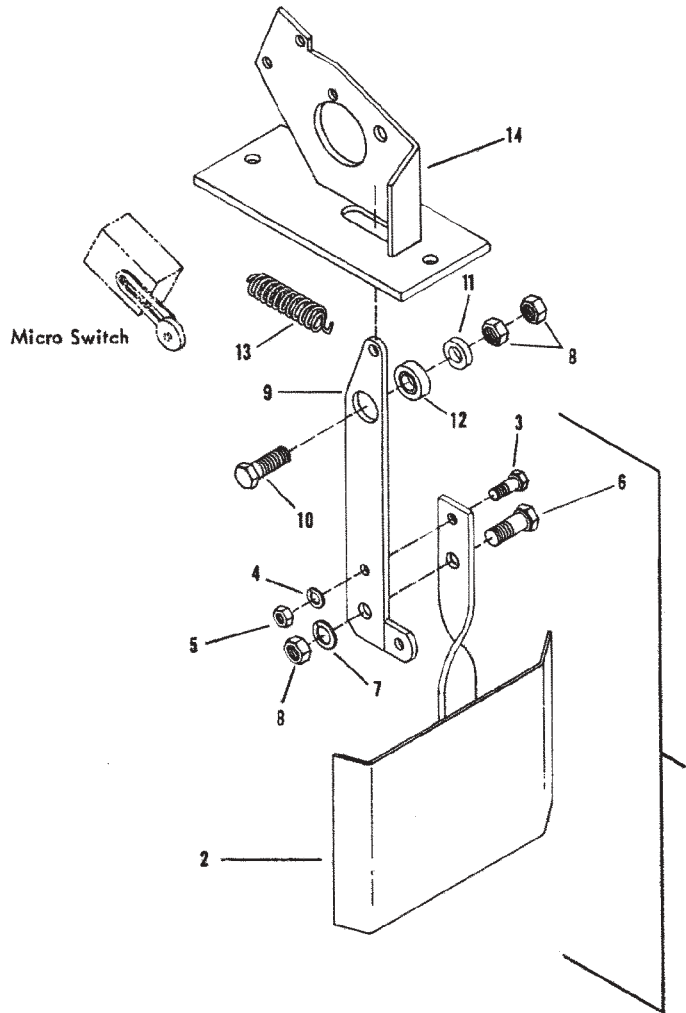
Specify Unit Serial No., Part No., & Part Description

Chain Drive - Main Frame S/N 228 & Up



REF.	PART NO.	QTY.	DESCRIPTION	REF.	PART NO.	QTY.	DESCRIPTION
1	3110061	1	END YOKE				
2	3140094	2	FLANGE BEARING				
3	0191758	1	LUBE FITTING 1/4 NPT				
4	3110493	1	SPROCKET AND BUSHING ASM				
5	0121966	3	HEX BOLT 1/4 NC X 2 1/2				
6	3110054	1	BUSHING				
7	3110004	1	KEY 1/2 SQ X 1 5/8				
8	3140249	1	SPROCKET				
9	3100332	1	NO. 80 CHAIN WITH 43 LINKS				
	3140105	1	MASTER LINK				
	3140104	1	OFFSET LINK				
10	3180010	1	ADAPTOR 1/8 TO 1/4				
11	0274854	1	LUBE FITTING 1/8 NPT X 90 DEG				
12	3170152	1	SHAFT				
13	3100233	1	KEY 3/8 SQ X 2 1/2				
14	3170061	1	KEY 3/8 SQ X 2				
15	6000170	1	HEX NUT 5/8 NC				
16	0130998	1	FLAT WASHER 5/8				
17	3110640	1	SLEEVE				
18	3100641	1	SPROCKET AND BEARING ASM				
19	3150247	1	BEARING				
20	3100643	1	PLATE AND SHAFT ASM				
21	6100028	1	WASHER				
22	3100634	1	DRIVE COVER				

Hopper Material Level Mechanism



REF.	PART NO.	QTY.	DESCRIPTION	REF.	QTY.	DESCRIPTION
1	3100544	2	PADDLE ASM			
2	3100336	2	PADDLE			
3	0121887	2	HEX BOLT 1/4 NC X 3/4			
4	0120380	2	LOCK WASHER 1/4			
5	0120375	2	HEX NUT 1/4 NC			
6	0120233	2	HEX BOLT 3/8 NC X 1			
7	0120382	2	LOCKWASHER 3/8			
8	0120377	6	HEX NUT 3/8 NC			
9	3100335	2	ARM			
10	0122145	2	HEX BOLT 3/8 NC X 1 1/4			
11	3100343	2	SPACER			
12	3100344	2	BEARING			
13	3330050	2	SPRING			
14	3100334	2	BRACKET			

Index

PART NO.	PAGE	PART NO.	PAGE	PART NO.	PAGE	PART NO.	PAGE	PART NO.	PAGE
0100134	19	0120063	53	0120382	25	0121574	23	0131046	40
0102458	60	0120063	55	0120382	37	0121574	65	0131101	95
0102592	49	0120214	6	0120382	39	0121574	66	0131140	70
0102592	77	0120214	7	0120382	41	0121574	69	0131394	19
0102592	79	0120214	9	0120382	48	0121574	93	0131394	21
0102592	81	0120214	19	0120382	69	0121852	64	0132705	96
0102592	93	0120214	21	0120382	95	0121887	55	0132705	98
0103362	19	0120214	47	0120382	95	0121887	63	0133078	25
0103363	70	0120214	50	0120382	113	0121887	96	0134530	96
0103372	73	0120214	69	0120383	9	0121887	97	0134530	98
0103373	25	0120214	69	0120383	9	0121887	97	0135629	43
0103373	44	0120214	74	0120383	21	0121887	98	0135629	44
0103374	82	0120214	85	0120383	69	0121887	99	0138105	37
0103374	83	0120214	87	0120383	71	0121887	99	0138105	38
0103374	84	0120214	91	0120383	72	0121887	113	0138105	40
0103384	25	0120217	55	0120384	9	0121893	64	0140537	37
0103384	85	0120233	21	0120384	19	0121893	72	0140537	38
0103384	87	0120233	66	0120384	25	0121954	32	0140537	40
0103384	91	0120233	95	0120384	57	0121966	112	0140813	37
0103384	92	0120233	113	0120384	63	0122007	69	0140813	38
0103385	53	0120238	77	0120384	71	0122017	53	0140813	40
0103385	55	0120238	79	0120384	83	0122027	50	0141621	53
0103385	74	0120238	81	0120384	84	0122104	19	0141621	55
0103385	82	0120280	53	0120384	93	0122119	48	0142269	37
0103385	82	0120280	55	0120384	95	0122126	37	0142269	38
0103385	83	0120328	73	0120384	95	0122126	39	0142269	40
0103385	83	0120328	74	0120384	110	0122126	41	0142269	55
0103385	84	0120367	47	0120388	69	0122145	19	0142664	108
0103385	84	0120368	19	0120388	73	0122145	48	0142767	53
0103386	53	0120368	47	0120388	74	0122145	95	0142767	55
0103386	55	0120368	74	0120388	75	0122145	109	0144034	37
0103386	79	0120369	19	0120388	82	0122145	113	0144034	38
0103388	19	0120369	25	0120388	83	0122150	111	0144034	40
0103388	21	0120369	69	0120388	91	0122168	19	0144034	53
0103390	6	0120369	73	0120388	95	0122168	19	0144034	55
0103390	7	0120369	74	0120390	25	0122168	37	0144053	53
0103390	53	0120369	75	0120396	73	0122168	38	0144116	53
0103390	55	0120369	79	0120396	74	0122168	40	0144603	55
0103407	9	0120371	19	0120396	75	0122168	82	0144613	53
0103411	6	0120371	25	0120426	55	0122168	83	0144713	19
0103411	7	0120371	83	0120426	71	0122168	84	0144713	21
0103865	51	0120371	84	0120426	72	0122181	25	0173206	55
0105405	53	0120371	93	0120426	95	0122181	107	0179104	55
0105413	53	0120375	25	0120458	61	0122223	9	0187396	55
0105415	53	0120375	32	0120647	19	0122267	21	0190570	53
0105423	53	0120375	113	0120668	19	0122408	63	0191758	6
0105423	108	0120376	69	0120834	6	0122408	64	0191758	7
0106751	32	0120376	69	0120834	7	0122433	93	0191758	49
0107763	73	0120376	70	0120834	7	0122446	9	0191758	50
0107763	74	0120376	85	0120896	9	0122446	110	0191758	71
0107763	75	0120376	87	0120918	63	0122459	110	0191758	86
0108686	37	0120376	91	0120918	70	0122466	66	0191758	87
0108686	38	0120376	92	0120918	82	0123885	55	0191758	89
0108686	40	0120377	60	0120918	83	0124589	79	0191758	112
0108686	53	0120377	61	0120918	84	0124589	81	0192450	55
0108686	55	0120377	95	0121207	37	0124589	82	0214267	43
0108689	53	0120377	107	0121207	38	0124589	83	0214267	44
0109462	107	0120377	113	0121207	40	0124589	84	0214267	57
0112465	17	0120378	19	0121207	53	0124818	63	0219187	45
0112526	70	0120378	25	0121207	55	0124818	63	0219187	47
0113000	19	0120378	25	0121208	37	0124934	53	0219191	47
0113782	82	0120378	73	0121208	38	0124934	72	0219191	53
0113782	83	0120378	74	0121208	40	0125224	19	0219191	55
0113782	84	0120378	75	0121358	19	0125973	95	0219191	108
0115237	53	0120378	77	0121358	21	0126129	31	0219199	23
0115253	55	0120378	79	0121358	65	0126129	32	0219301	9
0116524	53	0120378	81	0121358	66	0126129	107	0219301	9
0117982	48	0120378	93	0121358	69	0130998	112	0219301	19
0118538	108	0120378	95	0121358	70	0131016	71	0219301	21
0119095	53	0120380	32	0121358	93	0131016	72	0219301	55
0119097	53	0120380	47	0121574	6	0131044	96	0219303	108
0119097	55	0120380	64	0121574	7	0131044	98	0219305	19
0119920	53	0120380	113	0121574	19	0131046	37	0219354	53
0119931	53	0120382	19	0121574	21	0131046	38	0220069	64

Index

PART NO.	PAGE	PART NO.	PAGE	PART NO.	PAGE	PART NO.	PAGE	PART NO.	PAGE
0220071	64	3100061	83	3100335	113	3100435	37	3100549	73
0220071	67	3100061	84	3100336	113	3100435	38	3100549	74
0220073	110	3100062	95	3100343	113	3100435	40	3100549	75
0220085	23	3100063	95	3100344	113	3100437	37	3100559	6
0220085	95	3100065	95	3100346	79	3100437	37	3100560	6
0223022	63	3100066	95	3100346	81	3100437	38	3100564	6
0271287	63	3100072	73	3100359	48	3100437	38	3100564	37
0271506	9	3100072	74	3100363	46	3100437	40	3100564	39
0271506	69	3100072	75	3100364	46	3100437	40	3100564	41
0271506	71	3100073	69	3100366	109	3100438	37	3100565	6
0271506	72	3100073	73	3100369	109	3100438	38	3100573	9
0272123	47	3100073	74	3100396	64	3100438	40	3100581	37
0272123	69	3100073	75	3100397	64	3100440	37	3100581	39
0273503	86	3100073	95	3100398	64	3100440	39	3100581	41
0273503	87	3100077	107	3100407	6	3100440	41	3100584	48
0273503	89	3100078	77	3100407	7	3100441	37	3100594	48
0273503	91	3100078	79	3100408	6	3100441	39	3100595	48
0273503	95	3100078	81	3100408	7	3100441	41	3100596	48
0274854	112	3100082	95	3100409	6	3100449	6	3100602	37
0274993	83	3100092	95	3100409	7	3100449	7	3100602	38
0274993	91	3100096	95	3100410	6	3100450	6	3100602	40
0422425	47	3100103	95	3100410	7	3100450	7	3100604	53
0426099	46	3100106	95	3100411	6	3100452	6	3100607	53
0426754	6	3100112	95	3100411	7	3100453	6	3100611	95
0426754	7	3100114	95	3100412	6	3100453	7	3100612	95
0427646	6	3100114	95	3100412	7	3100454	6	3100613	95
0427646	7	3100117	53	3100413	37	3100454	7	3100614	53
0427646	53	3100118	95	3100413	39	3100455	6	3100618	48
0427646	55	3100124	82	3100413	41	3100455	7	3100619	49
0428694	23	3100124	83	3100414	6	3100456	6	3100619	70
0428739	6	3100124	84	3100414	7	3100456	7	3100619	77
0428739	7	3100125	95	3100415	6	3100457	6	3100619	79
0442321	39	3100138	109	3100415	7	3100457	7	3100619	81
0442321	41	3100154	53	3100416	6	3100458	6	3100619	82
0442346	41	3100172	49	3100416	7	3100458	7	3100619	83
0443139	69	3100174	95	3100417	6	3100459	6	3100619	84
0446363	69	3100182	5	3100417	7	3100459	7	3100619	85
0446363	69	3100185	6	3100417	46	3100460	6	3100619	87
0454904	31	3100185	7	3100418	6	3100460	7	3100619	91
0454904	32	3100189	67	3100418	7	3100461	6	3100619	92
0455027	37	3100222	110	3100418	46	3100461	7	3100619	93
0455027	39	3100231	64	3100419	6	3100462	6	3100622	23
0455027	41	3100233	112	3100419	7	3100462	7	3100628	5
0455027	44	3100293	71	3100420	6	3100464	6	3100633	95
0455481	71	3100293	72	3100420	7	3100464	7	3100634	112
0455481	72	3100303	32	3100421	6	3100465	6	3100641	112
0455481	95	3100304	9	3100421	7	3100465	7	3100643	112
0456826	53	3100304	23	3100426	37	3100466	6	3100650	111
0456826	55	3100304	48	3100426	38	3100466	7	3100653	111
0456860	63	3100305	5	3100426	40	3100467	6	3100654	111
0457008	69	3100307	5	3100427	37	3100467	7	3100656	111
0457008	70	3100308	5	3100427	38	3100468	6	3100658	111
0457008	77	3100309	5	3100427	40	3100468	7	3100659	111
0457008	79	3100310	5	3100428	37	3100469	48	3100688	79
0457008	81	3100311	5	3100428	38	3100472	6	3100688	81
0457008	107	3100312	69	3100428	40	3100472	7	3100689	5
0457009	67	3100312	70	3100429	37	3100474	6	3100693	5
3100007	95	3100312	77	3100429	38	3100474	7	3100699	55
3100008	95	3100312	79	3100429	40	3100475	60	3100705	5
3100017	110	3100312	81	3100430	37	3100475	61	3100712	69
3100023	108	3100312	82	3100430	38	3100476	28	3100715	5
3100028	110	3100312	83	3100430	40	3100478	95	3100716	5
3100047	6	3100312	84	3100431	37	3100519	73	3100719	5
3100047	7	3100312	85	3100431	38	3100519	74	3110000	23
3100049	95	3100312	87	3100431	40	3100519	75	3110002	23
3100050	95	3100312	91	3100432	37	3100538	32	3110003	23
3100056	6	3100312	92	3100432	38	3100538	53	3110004	23
3100056	7	3100312	93	3100432	40	3100544	113	3110004	112
3100057	5	3100313	6	3100433	37	3100548	73	3110005	23
3100061	70	3100323	32	3100433	38	3100548	74	3110006	23
3100061	77	3100329	48	3100433	40	3100548	75	3110009	23
3100061	79	3100331	48	3100434	37	3100546	73	3110010	23
3100061	81	3100332	112	3100434	38	3100546	74	3110013	23
3100061	82	3100334	113	3100434	40	3100546	75	3110014	50

Index

PART NO.	PAGE	PART NO.	PAGE	PART NO.	PAGE	PART NO.	PAGE	PART NO.	PAGE
3110016	23	3110076	33	3110189	25	3110259	21	3110336	19
3110017	23	3110076	34	3110190	25	3110260	19	3110337	19
3110020	23	3110077	17	3110191	25	3110261	19	3110338	19
3110021	6	3110077	19	3110194	25	3110262	19	3110339	21
3110021	7	3110077	22	3110195	25	3110263	19	3110340	21
3110022	6	3110084	9	3110196	25	3110264	19	3110341	21
3110022	7	3110086	5	3110198	25	3110265	19	3110342	21
3110023	6	3110091	50	3110199	25	3110266	19	3110343	21
3110023	7	3110093	50	3110200	25	3110267	19	3110344	21
3110024	6	3110094	50	3110201	25	3110268	19	3110346	9
3110024	7	3110095	50	3110202	25	3110269	19	3110347	9
3110024	53	3110095	50	3110203	25	3110270	19	3110348	9
3110024	55	3110098	29	3110204	25	3110271	19	3110349	9
3110032	63	3110098	30	3110206	25	3110272	19	3110350	9
3110033	6	3110100	33	3110207	25	3110273	19	3110351	9
3110033	7	3110103	35	3110208	25	3110274	19	3110352	9
3110033	31	3110105	36	3110209	25	3110275	19	3110353	9
3110033	32	3110114	28	3110210	25	3110276	19	3110354	9
3110034	31	3110115	28	3110211	25	3110277	19	3110355	9
3110034	32	3110130	37	3110213	25	3110278	19	3110356	9
3110035	31	3110130	39	3110214	25	3110279	19	3110357	9
3110035	32	3110130	41	3110215	19	3110280	19	3110358	9
3110043	46	3110136	43	3110215	21	3110281	19	3110359	9
3110044	46	3110137	43	3110216	21	3110282	19	3110360	9
3110045	46	3110138	43	3110217	21	3110283	19	3110361	9
3110046	46	3110139	37	3110218	21	3110284	19	3110362	9
3110047	9	3110139	38	3110219	19	3110285	19	3110363	9
3110047	46	3110139	40	3110219	21	3110286	19	3110364	9
3110048	5	3110139	43	3110220	21	3110287	19	3110365	9
3110049	5	3110140	43	3110221	21	3110288	19	3110366	9
3110051	35	3110141	43	3110222	21	3110289	19	3110367	9
3110052	48	3110141	44	3110223	21	3110290	19	3110368	9
3110053	28	3110142	43	3110224	21	3110291	19	3110369	9
3110053	29	3110142	44	3110225	19	3110292	19	3110370	9
3110053	30	3110143	43	3110225	21	3110293	19	3110371	9
3110054	50	3110143	44	3110226	19	3110294	19	3110373	9
3110054	63	3110144	43	3110226	21	3110295	19	3110374	9
3110054	112	3110144	44	3110227	21	3110296	19	3110375	9
3110055	48	3110145	43	3110228	21	3110297	19	3110376	9
3110057	28	3110146	43	3110229	21	3110298	19	3110377	9
3110057	30	3110146	44	3110230	21	3110299	19	3110378	9
3110058	28	3110147	43	3110231	21	3110300	19	3110379	9
3110058	29	3110148	43	3110232	21	3110301	19	3110380	9
3110058	30	3110149	43	3110233	19	3110302	19	3110381	9
3110058	35	3110149	44	3110233	21	3110303	19	3110382	9
3110058	36	3110150	43	3110234	19	3110304	19	3110383	9
3110060	28	3110150	44	3110234	21	3110305	19	3110383	9
3110060	29	3110151	43	3110235	19	3110306	19	3110384	9
3110060	30	3110151	44	3110235	21	3110307	19	3110385	9
3110060	35	3110152	43	3110236	21	3110308	19	3110387	9
3110060	36	3110153	43	3110237	21	3110309	19	3110388	9
3110061	35	3110153	44	3110237	25	3110310	19	3110389	9
3110061	36	3110154	43	3110238	21	3110311	19	3110390	9
3110061	112	3110157	43	3110239	21	3110312	19	3110391	9
3110062	28	3110157	44	3110240	21	3110313	19	3110392	9
3110062	30	3110158	43	3110241	21	3110314	19	3110393	9
3110063	28	3110158	44	3110242	21	3110315	19	3110394	9
3110063	30	3110159	43	3110243	21	3110316	19	3110395	9
3110065	28	3110160	43	3110244	21	3110317	19	3110396	9
3110065	30	3110160	44	3110245	21	3110318	19	3110397	9
3110066	23	3110161	43	3110246	21	3110319	19	3110398	9
3110067	29	3110161	44	3110247	21	3110321	19	3110399	9
3110067	33	3110163	43	3110248	21	3110322	19	3110400	9
3110067	34	3110169	43	3110249	21	3110323	19	3110401	9
3110070	33	3110169	44	3110250	19	3110324	19	3110402	9
3110070	34	3110170	43	3110250	21	3110326	19	3110406	9
3110071	33	3110171	43	3110251	21	3110327	19	3110407	9
3110071	34	3110172	43	3110252	21	3110328	19	3110409	9
3110072	33	3110181	46	3110253	21	3110329	19	3110410	9
3110072	34	3110182	46	3110254	21	3110330	19	3110411	9
3110073	33	3110183	46	3110255	21	3110331	19	3110412	9
3110073	34	3110186	46	3110256	21	3110332	19	3110413	9
3110075	33	3110188	19	3110257	21	3110333	19	3110414	9
3110075	34	3110188	25	3110258	21	3110334	19	3110417	9

Index

PART NO.	PAGE	PART NO.	PAGE	PART NO.	PAGE	PART NO.	PAGE	PART NO.	PAGE
3110418	9	3110640	112	3130106	48	3140082	63	3140303	72
3110420	9	3110643	9	3130108	48	3140083	63	3140304	65
3110421	9	3110644	9	3130110	48	3140088	63	3140305	65
3110422	19	3120000	5	3130111	48	3140094	63	3140309	65
3110422	21	3120039	67	3130112	48	3140094	95	3140310	65
3110423	19	3120050	109	3130113	48	3140094	112	3140310	66
3110442	28	3120054	67	3130114	48	3140096	63	3140313	65
3110442	30	3120055	67	3130115	48	3140097	63	3140315	65
3110444	33	3120056	64	3130116	48	3140098	63	3140323	71
3110444	34	3120056	67	3130117	48	3140104	48	3140323	72
3110445	28	3120058	67	3130122	48	3140104	63	3140324	71
3110445	29	3120059	64	3130123	48	3140104	112	3140324	72
3110445	30	3120059	67	3130124	48	3140105	48	3140325	71
3110450	15	3120060	64	3130126	95	3140105	63	3140328	64
3110452	25	3120060	67	3130129	95	3140105	112	3140329	64
3110453	46	3120101	67	3130132	107	3140110	63	3140330	64
3110460	43	3130003	95	3130133	107	3140111	63	3140331	64
3110464	43	3130004	107	3130137	79	3140112	63	3140332	64
3110471	43	3130005	107	3130137	81	3140113	63	3140333	64
3110471	44	3130006	107	3130146	95	3140114	63	3140334	64
3110472	82	3130007	107	3130151	79	3140115	63	3140335	64
3110472	83	3130008	107	3130151	81	3140116	63	3140344	64
3110472	84	3130009	107	3130152	79	3140117	77	3140345	64
3110476	37	3130010	95	3130152	81	3140117	79	3140346	64
3110476	38	3130011	107	3130153	79	3140117	81	3140347	64
3110476	40	3130012	107	3130153	81	3140122	36	3140348	64
3110488	37	3130013	107	3130156	79	3140189	63	3140350	64
3110488	39	3130014	110	3130156	81	3140193	71	3140358	64
3110488	41	3130016	95	3130162	95	3140193	72	3140363	64
3110489	37	3130018	95	3130167	95	3140194	71	3140364	63
3110489	39	3130021	95	3130176	95	3140194	72	3140365	63
3110489	41	3130022	95	3130181	48	3140242	60	3140366	63
3110491	48	3130023	95	3130184	95	3140243	63	3140367	63
3110493	112	3130025	95	3130185	95	3140244	63	3140372	71
3110495	43	3130051	95	3130191	95	3140245	63	3140372	72
3110496	9	3130053	95	3130198	95	3140246	63	3140376	60
3110498	33	3130055	95	3130199	95	3140247	63	3140377	60
3110499	33	3130056	95	3130200	95	3140248	63	3140378	60
3110500	9	3130058	110	3140018	63	3140249	63	3140379	60
3110500	33	3130059	77	3140023	63	3140249	112	3140389	71
3110500	34	3130059	79	3140024	63	3140250	63	3140394	63
3110506	30	3130059	81	3140029	64	3140264	60	3140395	63
3110507	30	3130060	77	3140029	69	3140264	61	3140396	63
3110508	30	3130060	79	3140029	69	3140268	60	3140397	63
3110509	30	3130060	81	3140029	71	3140268	61	3140398	71
3110510	15	3130061	77	3140029	72	3140278	63	3140400	65
3110511	15	3130062	77	3140029	73	3140279	60	3140401	63
3110514	37	3130062	79	3140029	74	3140287	71	3140402	63
3110514	38	3130062	81	3140029	75	3140287	72	3140403	63
3110514	40	3130069	110	3140029	77	3140288	55	3140404	63
3110524	9	3130070	77	3140029	79	3140288	71	3140404	64
3110525	31	3130070	79	3140029	81	3140288	72	3140405	65
3110526	31	3130070	81	3140029	87	3140289	71	3140405	66
3110538	50	3130073	77	3140029	89	3140289	72	3140408	71
3110541	28	3130079	110	3140029	91	3140290	71	3140423	71
3110546	34	3130080	77	3140029	93	3140290	72	3140423	72
3110553	9	3130080	79	3140029	95	3140291	71	3140424	71
3110564	7	3130080	81	3140029	95	3140291	72	3140424	72
3110587	9	3130081	77	3140029	95	3140292	71	3140426	63
3110594	44	3130081	79	3140030	63	3140292	72	3140427	63
3110595	44	3130081	81	3140035	63	3140293	71	3140429	63
3110596	44	3130082	77	3140038	63	3140293	72	3140430	63
3110597	44	3130082	79	3140063	63	3140294	71	3140437	63
3110598	44	3130082	81	3140064	63	3140294	72	3140439	64
3110599	44	3130083	95	3140065	63	3140295	71	3140440	64
3110600	44	3130088	110	3140066	63	3140295	72	3140441	64
3110601	44	3130089	77	3140072	63	3140296	71	3140442	63
3110602	44	3130089	79	3140077	63	3140296	72	3140460	63
3110603	44	3130089	81	3140078	63	3140297	71	3140461	63
3110604	44	3130095	95	3140079	63	3140297	72	3140462	63
3110607	44	3130096	77	3140080	63	3140298	71	3140463	63
3110608	23	3130100	110	3140081	48	3140298	72	3140464	63
3110609	23	3130103	95	3140081	63	3140301	65	3140475	63
3110611	7	3130105	48	3140082	48	3140303	71	3140492	72

Index

PART NO.	PAGE	PART NO.	PAGE	PART NO.	PAGE	PART NO.	PAGE	PART NO.	PAGE
3140494	63	3150222	73	3150316	70	3160001	98	3160060	98
3140498	61	3150222	74	3150320	93	3160001	99	3160060	99
3140499	61	3150222	75	3150321	93	3160005	100	3160063	96
3140500	61	3150222	77	3150322	93	3160005	101	3160063	98
3140501	61	3150222	79	3150326	70	3160005	102	3160064	96
3140544	66	3150222	81	3150328	70	3160005	103	3160064	97
3140550	66	3150222	82	3150330	93	3160005	104	3160064	98
3140553	66	3150222	83	3150335	93	3160005	105	3160064	99
3140555	66	3150223	73	3150336	93	3160006	100	3160067	96
3140562	72	3150223	74	3150337	86	3160006	101	3160067	97
3140563	72	3150223	75	3150343	85	3160006	102	3160067	98
3140574	72	3150223	82	3150343	87	3160006	103	3160067	99
3150003	89	3150223	83	3150344	87	3160006	104	3160068	106
3150003	91	3150224	70	3150347	79	3160006	105	3160069	106
3150008	86	3150225	73	3150347	85	3160009	100	3160073	100
3150008	87	3150225	74	3150347	87	3160009	101	3160073	102
3150009	86	3150225	75	3150349	85	3160009	102	3160073	104
3150009	87	3150225	82	3150349	87	3160009	103	3160074	100
3150009	89	3150225	83	3150350	82	3160009	104	3160074	101
3150009	91	3150226	91	3150350	84	3160009	105	3160074	102
3150012	86	3150227	70	3150352	79	3160013	5	3160074	104
3150012	87	3150231	82	3150352	81	3160013	100	3160074	105
3150012	89	3150231	83	3150352	81	3160013	101	3160076	101
3150012	91	3150231	84	3150354	79	3160016	100	3160077	100
3150020	86	3150237	70	3150358	79	3160016	101	3160077	101
3150020	87	3150237	77	3150358	81	3160016	102	3160077	102
3150020	89	3150237	79	3150359	79	3160016	103	3160077	103
3150020	91	3150237	81	3150359	81	3160016	104	3160077	104
3150028	86	3150238	77	3150361	79	3160016	105	3160077	105
3150028	87	3150239	77	3150362	24	3160017	96	3160079	100
3150028	89	3150241	77	3150363	82	3160017	97	3160080	100
3150028	91	3150241	79	3150364	82	3160017	98	3160080	101
3150065	77	3150244	77	3150367	37	3160017	99	3160084	100
3150065	79	3150244	79	3150367	38	3160018	96	3160084	101
3150065	81	3150247	77	3150367	40	3160018	97	3160084	102
3150069	77	3150247	77	3150368	87	3160018	97	3160084	103
3150069	79	3150247	79	3150368	89	3160018	98	3160084	104
3150069	81	3150247	79	3150369	79	3160018	99	3160084	105
3150120	60	3150247	81	3150375	70	3160018	99	3160097	100
3150120	61	3150247	82	3150375	79	3160042	100	3160097	101
3150162	82	3150247	83	3150375	81	3160042	101	3160097	102
3150162	83	3150247	112	3150378	79	3160042	101	3160097	103
3150162	84	3150248	93	3150378	81	3160042	102	3160097	104
3150176	73	3150252	93	3150379	70	3160042	103	3160097	105
3150176	74	3150258	82	3150380	70	3160042	103	3160098	100
3150176	75	3150258	83	3150381	93	3160042	104	3160098	101
3150177	70	3150266	86	3150385	79	3160042	105	3160100	96
3150177	77	3150266	87	3150389	79	3160042	105	3160100	98
3150177	79	3150266	89	3150392	79	3160051	96	3160100	100
3150177	81	3150267	86	3150392	79	3160051	97	3160100	101
3150178	93	3150267	87	3150398	75	3160051	97	3160100	102
3150183	93	3150267	89	3150398	79	3160051	98	3160100	104
3150186	93	3150269	93	3150400	82	3160051	99	3160102	96
3150187	93	3150273	93	3150400	83	3160051	99	3160102	97
3150188	70	3150275	77	3150400	84	3160056	96	3160102	98
3150189	55	3150275	79	3150401	75	3160056	97	3160102	99
3150189	70	3150275	81	3150401	79	3160056	98	3160103	96
3150190	70	3150280	77	3150409	91	3160056	99	3160103	97
3150193	93	3150283	77	3150412	91	3160056	100	3160103	98
3150198	70	3150285	77	3150416	17	3160056	101	3160103	99
3150204	70	3150288	77	3150418	84	3160056	102	3160104	96
3150205	70	3150290	77	3150420	82	3160056	103	3160104	97
3150207	70	3150290	79	3150420	84	3160056	104	3160104	98
3150208	70	3150290	81	3150421	82	3160056	105	3160104	99
3150210	70	3150292	77	3150421	84	3160057	96	3160105	96
3150217	73	3150293	77	3150423	91	3160057	98	3160105	97
3150217	74	3150294	77	3150426	79	3160058	96	3160105	98
3150217	75	3150295	77	3150426	81	3160058	98	3160105	99
3150218	70	3150298	93	3150430	73	3160059	96	3160106	96
3150218	77	3150301	77	3150431	91	3160059	97	3160106	97
3150218	79	3150305	53	3150431	92	3160059	98	3160106	98
3150218	81	3150307	82	3150434	17	3160059	99	3160106	99
3150219	77	3150307	83	3160001	96	3160060	96	3160107	96
3150222	70	3150307	84	3160001	97	3160060	97	3160107	97

Index

PART NO.	PAGE	PART NO.	PAGE	PART NO.	PAGE	PART NO.	PAGE	PART NO.	PAGE
3160107	98	3170027	50	3170125	50	3180082	57	3180158	45
3160107	99	3170028	50	3170126	31	3180083	57	3180159	45
3160109	96	3170030	50	3170129	31	3180084	57	3180160	39
3160109	97	3170031	50	3170130	31	3180085	57	3180160	41
3160109	98	3170032	50	3170152	112	3180086	57	3180160	45
3160109	99	3170033	50	3180000	53	3180087	57	3180162	45
3160110	100	3170034	50	3180000	55	3180088	57	3180165	59
3160110	101	3170035	50	3180000	57	3180089	57	3180166	59
3160111	96	3170036	50	3180009	37	3180090	57	3180167	59
3160111	98	3170037	50	3180009	38	3180091	57	3180168	59
3160115	96	3170039	50	3180009	40	3180092	53	3180169	59
3160115	98	3170040	50	3180010	112	3180093	47	3180170	59
3160117	100	3170041	50	3180015	47	3180094	47	3180171	59
3160117	101	3170042	50	3180018	53	3180095	47	3180172	59
3160117	102	3170043	50	3180019	53	3180096	47	3180173	59
3160117	103	3170046	50	3180020	53	3180097	47	3180174	59
3160117	104	3170047	50	3180020	55	3180098	47	3180175	59
3160117	105	3170048	50	3180021	53	3180099	47	3180176	59
3160121	100	3170049	50	3180021	55	3180100	47	3180177	59
3160121	101	3170050	32	3180021	55	3180101	47	3180178	59
3160125	53	3170050	53	3180022	53	3180102	47	3180179	59
3160135	53	3170050	55	3180022	55	3180103	47	3180181	59
3160139	5	3170051	32	3180023	53	3180104	47	3180182	59
3160143	106	3170052	32	3180023	55	3180105	47	3180183	59
3160144	100	3170056	50	3180023	55	3180106	47	3180184	59
3160144	101	3170057	50	3180034	53	3180107	47	3180185	59
3160147	106	3170058	33	3180034	55	3180108	47	3180186	59
3160148	106	3170058	34	3180035	55	3180109	47	3180187	59
3160149	106	3170059	23	3180038	37	3180110	47	3180188	59
3160155	96	3170059	50	3180038	39	3180111	47	3180189	59
3160155	98	3170059	64	3180038	41	3180112	47	3180190	59
3160156	96	3170061	50	3180039	37	3180113	47	3180191	59
3160156	98	3170061	63	3180039	39	3180114	47	3180215	37
3160161	96	3170061	65	3180039	41	3180115	47	3180215	39
3160161	97	3170061	66	3180043	37	3180116	47	3180215	41
3160161	98	3170061	95	3180043	38	3180117	47	3180219	53
3160161	99	3170061	112	3180043	40	3180118	47	3180219	55
3160163	96	3170062	70	3180044	37	3180119	47	3180219	59
3160163	98	3170080	32	3180044	38	3180120	47	3180220	53
3160178	106	3170081	32	3180044	40	3180121	47	3180221	53
3160179	97	3170082	49	3180047	37	3180122	47	3180221	53
3160179	99	3170083	49	3180047	38	3180123	47	3180222	53
3160181	106	3170086	49	3180047	40	3180124	47	3180225	53
3160184	97	3170087	49	3180048	39	3180125	47	3180226	53
3160184	99	3170090	49	3180048	41	3180126	47	3180231	53
3160185	97	3170091	49	3180048	45	3180127	47	3180232	53
3160185	99	3170092	49	3180051	37	3180128	47	3180232	55
3160186	97	3170093	49	3180051	38	3180129	47	3180232	55
3160186	99	3170094	49	3180051	40	3180130	47	3180233	53
3160187	97	3170095	49	3180052	43	3180131	47	3180233	55
3160187	99	3170096	49	3180055	37	3180132	47	3180236	53
3160188	99	3170097	49	3180055	38	3180133	47	3180237	55
3160189	97	3170098	49	3180055	39	3180134	47	3180238	56
3160189	99	3170099	49	3180055	40	3180135	47	3180239	56
3170001	31	3170100	49	3180055	41	3180136	47	3180240	56
3170001	32	3170101	49	3180055	45	3180137	47	3180241	56
3170005	50	3170102	49	3180061	32	3180138	47	3180242	56
3170006	21	3170103	49	3180061	53	3180139	47	3180243	53
3170012	31	3170104	49	3180061	55	3180140	47	3180243	55
3170012	32	3170105	49	3180063	53	3180141	47	3180244	37
3170012	50	3170106	49	3180063	55	3180144	45	3180244	39
3170013	31	3170107	49	3180063	56	3180144	82	3180245	37
3170013	32	3170108	49	3180064	53	3180144	83	3180245	38
3170013	50	3170109	49	3180065	53	3180144	84	3180245	40
3170017	31	3170110	49	3180067	53	3180145	45	3180247	37
3170017	32	3170111	49	3180070	53	3180146	45	3180247	38
3170017	50	3170112	49	3180072	55	3180147	45	3180247	40
3170021	31	3170115	49	3180075	57	3180148	45	3180248	37
3170021	32	3170116	49	3180076	57	3180151	45	3180248	38
3170021	50	3170117	49	3180077	57	3180152	45	3180248	40
3170022	50	3170118	50	3180078	57	3180153	45	3180250	37
3170023	50	3170119	50	3180079	57	3180154	45	3180250	38
3170024	50	3170122	49	3180080	57	3180156	45	3180250	40
3170026	50	3170124	50	3180081	57	3180157	45	3180254	37

Index

PART NO.	PAGE	PART NO.	PAGE	PART NO.	PAGE	PART NO.	PAGE	PART NO.	PAGE
3180254	39	3190179	41	3190376	55	6000408	93	6450106	46
3180254	41	3190181	39	3190377	91	6000439	23	6450157	5
3180256	37	3190181	41	3190379	83	6000440	70	6450158	5
3180256	39	3190188	91	3190379	84	6000440	73	6450161	5
3180258	37	3190188	92	3190384	83	6000440	74	6450162	5
3180260	37	3190193	92	3190384	84	6000440	75	6450221	45
3180260	39	3190195	91	3190385	83	6000440	77	6450221	82
3180260	41	3190195	92	3190385	84	6000440	79	6450221	83
3180262	55	3190196	91	3190386	84	6000440	81	6450221	84
3180264	55	3190198	92	3190387	84	6000440	82	6450245	46
3180268	55	3190199	92	3190408	104	6000440	83	6450246	41
3180274	37	3190201	85	3190411	41	6000441	50	6450247	41
3180274	38	3190201	91	3190413	41	6000443	32	6450349	9
3180274	40	3190203	85	3190416	41	6000491	82	6600145	17
3180288	37	3190215	92	3190418	41	6000491	83	6600223	53
3180288	39	3190218	91	3190420	41	6000491	84	6600224	53
3180288	41	3190218	92	3190422	41	6000492	111	6600352	37
3180290	37	3190219	91	3190424	41	6000732	60	6600352	38
3180290	39	3190219	92	3190425	41	6000732	61	6600352	40
3180290	41	3190244	32	3190426	41	6000737	66	6600435	42
3180299	53	3190245	82	3190427	5	6000758	5	6600436	42
3180299	55	3190245	83	3190428	5	6100023	86	6600475	53
3180300	53	3190258	83	3190429	5	6100023	87	6600636	42
3180300	55	3190260	83	3190430	5	6100023	89	6600639	39
3180302	53	3190260	83	3190431	5	6100028	71	6600639	41
3180303	53	3190260	84	3300120	69	6100028	72	6600703	55
3180304	53	3190261	83	3330025	108	6100028	112	6600704	55
3180305	53	3190261	83	3330027	108	6100034	32	6600705	55
3180306	53	3190261	84	3330050	70	6100035	32	6600706	55
3180307	53	3190262	83	3330050	113	6100068	7	6600714	55
3180308	53	3190263	83	3331103	108	6100068	55	6600714	58
3180308	55	3190279	55	3360192	69	6100068	66	6600716	55
3180309	7	3190280	55	3360269	72	6100068	71	6600717	55
3180309	53	3190281	55	3516028	5	6100068	72	6600807	53
3180309	55	3190285	55	3561029	5	6100088	65	6600807	55
3180310	53	3190285	69	6000005	77	6100106	50	6700002	106
3180311	55	3190287	55	6000005	79	6100107	95	6700004	96
3180314	55	3190287	69	6000005	81	6100107	95	6700004	98
3180315	55	3190290	55	6000011	50	6100126	69	6700005	96
3180322	55	3190294	55	6000011	79	6100126	71	6700005	98
3180328	82	3190296	55	6000011	82	6100126	72	6700010	41
3180328	83	3190298	55	6000011	83	6100127	53	6700010	96
3180328	84	3190299	69	6000011	84	6100127	83	6700010	97
3180329	53	3190302	69	6000011	85	6100127	84	6700010	98
3180330	53	3190303	69	6000011	87	6100127	93	6700010	99
3180331	53	3190305	55	6000011	91	6100138	69	6700011	41
3180336	53	3190308	55	6000011	92	6100138	75	6700011	96
3180336	55	3190313	69	6000059	55	6100138	79	6700011	97
3180538	55	3190314	69	6000106	96	6100154	55	6700011	98
3190025	74	3190315	69	6000106	98	6100249	69	6700011	99
3190028	73	3190316	69	6000170	112	6100268	9	6700015	41
3190028	74	3190323	69	6000171	65	6300130	97	6700015	96
3190028	75	3190324	69	6000195	95	6300130	99	6700015	97
3190032	74	3190325	69	6000232	48	6400044	111	6700015	98
3190038	15	3190326	69	6000264	69	6400050	111	6700015	99
3190045	28	3190327	69	6000287	50	6400093	106	6700023	41
3190072	83	3190328	69	6000367	79	6400095	106	6700023	96
3190074	73	3190330	69	6000367	81	6400096	106	6700023	97
3190074	74	3190334	69	6000367	82	6410031	17	6700023	98
3190075	73	3190337	69	6000367	83	6410032	17	6700023	99
3190075	74	3190337	85	6000367	84	6410033	17	6700033	96
3190089	49	3190339	69	6000367	107	6410037	17	6700033	98
3190091	55	3190342	69	6000401	77	6410038	17	6700065	96
3190094	74	3190345	69	6000401	79	6410038	28	6700065	97
3190126	73	3190346	69	6000401	81	6420037	46	6700065	97
3190147	89	3190347	69	6000401	82	6420038	46	6700065	98
3190147	91	3190350	69	6000401	83	6420066	66	6700065	99
3190149	89	3190352	69	6000401	84	6420067	66	6700065	99
3190153	84	3190353	69	6000401	107	6430221	63	6700071	96
3190175	39	3190356	69	6000403	82	6435056	42	6700071	98
3190175	41	3190357	69	6000403	83	6435059	42	6700115	96
3190177	39	3190365	91	6000403	84	6440118	28	6700115	96
3190177	41	3190367	69	6000408	66	6450072	46	6700115	96
3190179	39	3190371	55	6000408	70	6450105	46	6700115	98

Index

PART NO.	PAGE	PART NO.	PAGE	PART NO.	PAGE	PART NO.	PAGE	PART NO.	PAGE
6700115	98	7420140	53	7800034	12	7800084	22	7800128	13
6700115	98	7420140	55	7800035	12	7800085	17	7800129	13
6700117	96	7430067	56	7800036	11	7800085	22	7800130	13
6700117	98	7430068	56	7800036	12	7800086	22	7800131	13
6700121	96	7430202	58	7800037	12	7800087	22	7800132	13
6700121	98	7430203	58	7800038	12	7800088	17	7800133	13
6700128	96	7430204	58	7800039	12	7800088	22	7800134	13
6700128	97	7430205	58	7800040	11	7800089	17	7800135	13
6700128	98	7430206	58	7800040	12	7800089	22	7800136	13
6700128	99	7430207	58	7800040	14	7800090	17	7800137	13
6700129	96	7500005	96	7800041	12	7800090	22	7800138	13
6700129	97	7530009	53	7800042	12	7800090	24	7800139	13
6700129	98	7800002	12	7800043	12	7800091	17	7800140	13
6700129	99	7800002	17	7800044	12	7800091	22	7800140	14
6700130	96	7800002	22	7800044	22	7800091	24	7800141	13
6700130	98	7800003	12	7800045	12	7800092	17	7800141	24
6700139	97	7800004	11	7800046	12	7800092	22	7800142	13
6700139	99	7800004	12	7800047	12	7800093	22	7800142	14
6700165	97	7800005	12	7800048	12	7800094	13	7800144	17
6700165	99	7800006	12	7800049	12	7800095	17	7800145	17
6700170	96	7800007	12	7800050	12	7800095	22	7800146	17
6700170	97	7800008	12	7800051	12	7800096	17	7800147	17
6700170	98	7800009	12	7800052	12	7800096	22	7800148	17
6700170	99	7800010	12	7800053	12	7800097	17	7800149	17
6700188	96	7800011	12	7800054	12	7800097	17	7800150	17
6700188	97	7800012	12	7800055	12	7800097	22	7800151	17
6700188	98	7800013	12	7800056	12	7800098	17	7800152	17
6700188	99	7800014	12	7800057	12	7800098	22	7800153	17
6700240	5	7800015	12	7800058	12	7800099	17	7800154	17
6700475	106	7800016	12	7800059	12	7800099	22	7800155	17
6700508	41	7800017	12	7800060	12	7800100	22	7800156	17
6700607	53	7800018	12	7800062	22	7800100	22	7800157	17
6700656	97	7800018	22	7800063	17	7800101	17	7800158	17
6700656	99	7800018	27	7800063	22	7800101	22	7800159	17
6700657	97	7800019	12	7800064	17	7800101	22	7800169	24
6700657	99	7800019	17	7800064	22	7800102	22	7800169	27
7215002	95	7800019	22	7800065	22	7800103	17	7800170	24
7215009	53	7800020	11	7800066	17	7800103	22	7800170	26
7215015	95	7800020	12	7800066	22	7800104	17	7800170	26
7215016	95	7800020	17	7800067	17	7800104	22	7800170	27
7215020	72	7800020	22	7800067	22	7800105	17	7800171	24
7215021	53	7800020	24	7800068	17	7800105	22	7800171	27
7215021	55	7800020	27	7800068	17	7800106	17	7800172	24
7215022	53	7800020	27	7800068	22	7800106	22	7800173	24
7215022	55	7800021	11	7800069	22	7800107	22	7800173	27
7215024	53	7800021	12	7800070	17	7800109	86	7800174	24
7220037	95	7800021	17	7800070	22	7800109	87	7800174	27
7220038	46	7800021	22	7800071	17	7800109	91	7800175	24
7320070	17	7800021	24	7800071	22	7800110	13	7800175	27
7350002	11	7800021	27	7800072	22	7800110	14	7800176	24
7350012	5	7800022	12	7800073	17	7800111	13	7800176	27
7350034	06	7800023	11	7800073	22	7800111	14	7800177	24
7350035	06	7800023	12	7800074	17	7800112	13	7800178	24
7350036	06	7800023	12	7800074	22	7800113	13	7800178	27
7360008	42	7800024	12	7800075	17	7800113	14	7800179	24
7360009	42	7800024	12	7800075	22	7800114	13	7800179	27
7420006	51	7800024	14	7800076	17	7800115	13	7800180	24
7420041	51	7800025	11	7800076	22	7800116	13	7800180	27
7420042	51	7800025	12	7800077	17	7800117	13	7800181	24
7420043	51	7800025	12	7800077	22	7800118	13	7800182	24
7420044	51	7800026	12	7800078	17	7800119	13	7800183	24
7420045	51	7800027	12	7800078	22	7800120	13	7800183	27
7420046	51	7800027	13	7800079	17	7800121	13	7800184	24
7420047	51	7800027	13	7800079	22	7800122	13	7800184	27
7420049	51	7800027	17	7800080	22	7800122	14	7800185	24
7420050	51	7800027	22	7800081	17	7800123	13	7800185	27
7420051	51	7800028	12	7800081	17	7800124	13	7800186	24
7420052	51	7800029	11	7800081	22	7800125	13	7800186	27
7420053	51	7800029	11	7800082	17	7800125	14	7800187	24
7420054	51	7800029	12	7800082	22	7800125	14	7800188	24
7420055	51	7800030	12	7800083	17	7800126	13	7800188	27
7420056	51	7800031	12	7800083	22	7800127	13	7800188	27
7420057	51	7800032	12	7800084	13	7800127	13	7800189	24
7420058	51	7800033	12	7800084	14	7800127	14	7800190	24

Index

PART NO.	PAGE	PART NO.	PAGE	PART NO.	PAGE	PART NO.	PAGE	PART NO.	PAGE
7800191	24	7800344	11	9411010	73				
7800191	27	7800345	11	9411010	74				
7800192	24	7800346	11	9411010	91				
7800192	27	7800346	11	9411027	61				
7800193	24	7800347	11	9411027	72				
7800193	27	7800348	11	9411027	73				
7800194	24	7800349	11	9411027	74				
7800194	27	7800350	11	9411027	75				
7800195	24	7800351	11	9411027	95				
7800196	24	7800352	11	9411027	95				
7800197	24	7800353	14	9411638	83				
7800197	27	7800354	14	9411727	91				
7800198	24	7800355	14	9413949	99				
7800199	11	7800356	14	9418301	44				
7800199	17	7800357	14	9418776	28				
7800199	24	7800358	14	9418871	55				
7800200	26	7800359	14	9418871	64				
7800201	26	7800359	14	9418871	66				
7800202	26	7800360	14	9418871	67				
7800203	26	7800361	14	9418871	69				
7800204	26	7800362	11	9418871	70				
7800205	26	7800362	14	9418871	82				
7800206	11	7800363	11	9418871	84				
7800206	26	7800364	11	9418871	85				
7800207	26	7800365	11	9418871	87				
7800208	26	7800366	11	9418871	92				
7800209	26	7800367	11	9418871	11				
7800210	26	7800368	11	9418931	97				
7800211	26	7800369	14	9418931	99				
7800212	26	7800370	14	9418936	55				
7800213	26	7800371	14	9418936	55				
7800285	19	7800372	11	9418936	72				
7800302	14	7800373	14	9418936	96				
7800303	11	7800374	14	9418936	96				
7800304	11	7800375	11	9418936	97				
7800305	11	7800376	27	9418936	98				
7800305	27	7800377	27	9418936	98				
7800306	11	7800378	27	9418936	99				
7800306	27	7800379	27	9418943	70				
7800308	11	7800380	11	9418943	77				
7800309	14	7800381	11	9418943	79				
7800311	11	7800382	11	9418943	81				
7800312	14	7800382	27	9418943	82				
7800313	11	7800383	14	9418943	84				
7800313	27	7800384	14	9418943	93				
7800314	11	7800385	14	9422787	74				
7800315	14	7800386	14						
7800316	11	7800387	14						
7800317	17	7800388	14						
7800320	11	7800389	27						
7800321	11	7800390	11						
7800322	17	7800391	11						
7800323	17	7800392	27						
7800324	17	7800393	11						
7800326	17	7800401	9						
7800327	17	7800402	48						
7800329	11	7800403	17						
7800329	11	7800466	9						
7800330	11	7810035	50						
7800330	11	7820012	29						
7800331	17	7820014	34						
7800332	11	7820015	34						
7800333	11	7820044	32						
7800334	11	7840002	95						
7800335	11	7850013	65						
7800336	17	7850014	77						
7800337	17	7850014	79						
7800337	17	7850014	81						
7800338	11	7850017	70						
7800339	17	7850018	70						
7800340	11	7850019	70						
7800340	11	9250120	53						
7800342	11	9406752	55						
7800343	11	9409908	108						

CAUTION

- 1 Make certain everyone is clear of machine before starting engine or operation.
- 2 Always use steps, platforms and handrails provided.
- 3 Remain clear of moving or rotating parts.
- 4 Always have shields, covers and guards in place when operating.
- 5 Do not stand in front of hopper to engage and disengage hopper gates.
- 6 Keep loose clothing away from conveyor area when operating conveyor clutches.
- 7 Keep drive clutch engaged when machine is being roaded down hill.