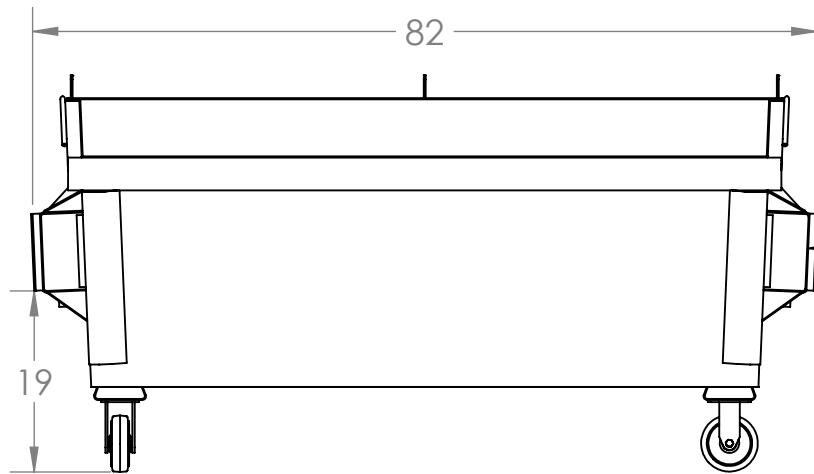
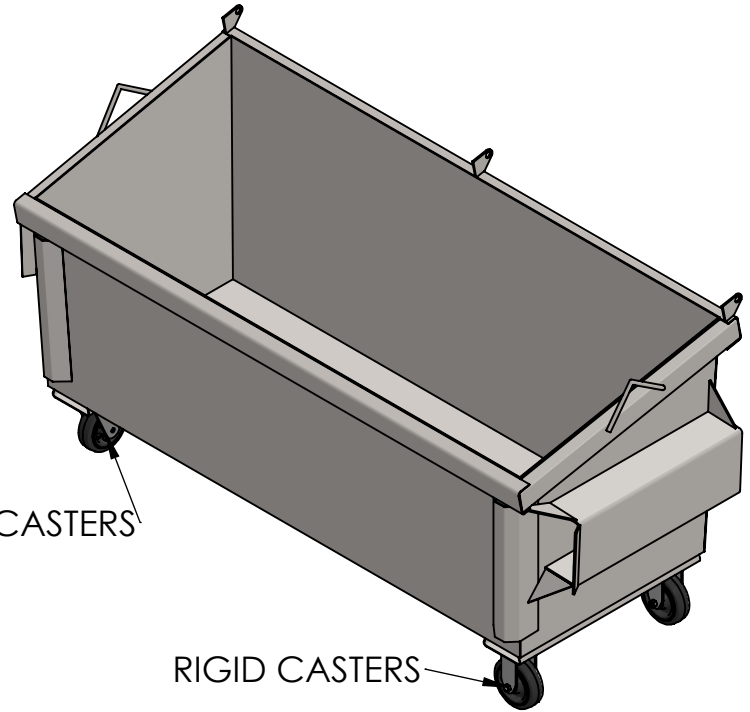
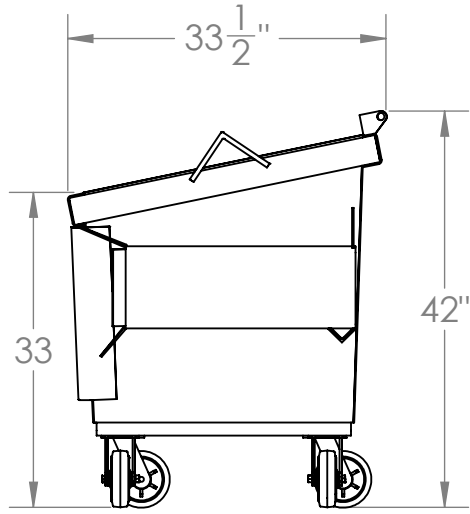


2

1



10GA 24" POCKET

B

B

A

A

2

1

PROPRIETARY AND CONFIDENTIAL

THE INFORMATION CONTAINED IN THIS DRAWING IS THE SOLE PROPERTY OF POYNETTE IRONWORKS. ANY REPRODUCTION IN PART OR AS A WHOLE WITHOUT THE WRITTEN PERMISSION OF POYNETTE IRONWORKS IS PROHIBITED.

| | | | |
|-----------------------------|--|-------------|--------------|
| POYNETTE IRONWORKS | | | |
| UNLESS OTHERWISE SPECIFIED: | | TITLE: | |
| DIMENSIONS ARE IN INCHES | | PART NO: | |
| TOLERANCES: | | 1 FLST | |
| FRACTIONAL ± 1/2 | | SIZE | DESIGNED BY: |
| WEIGHT ± 5% | | A | 3/20/2020 |
| MATERIAL | | SCALE: 1:20 | WEIGHT: 340 |
| | | | REV - |
| | | | SHEET 1 OF 1 |