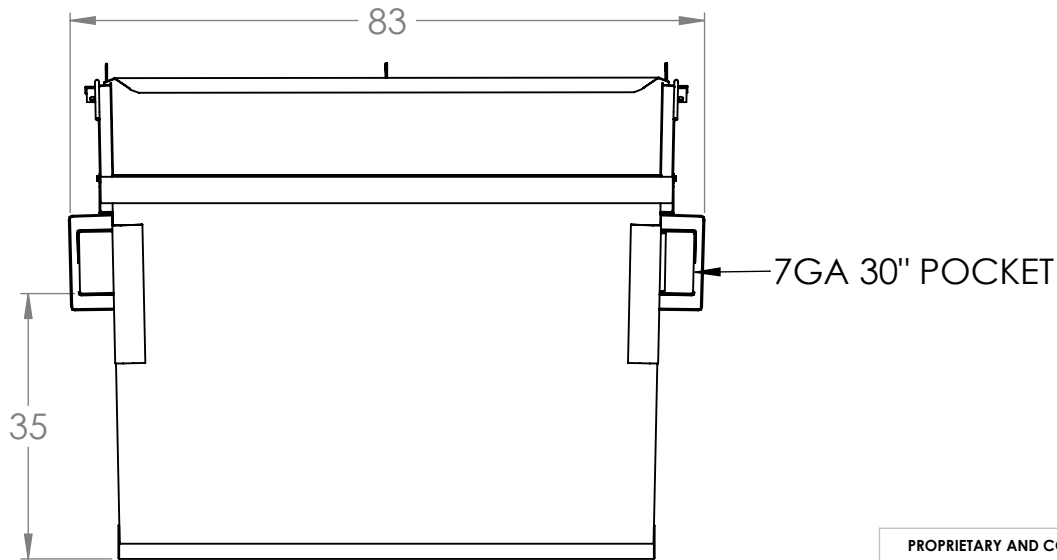
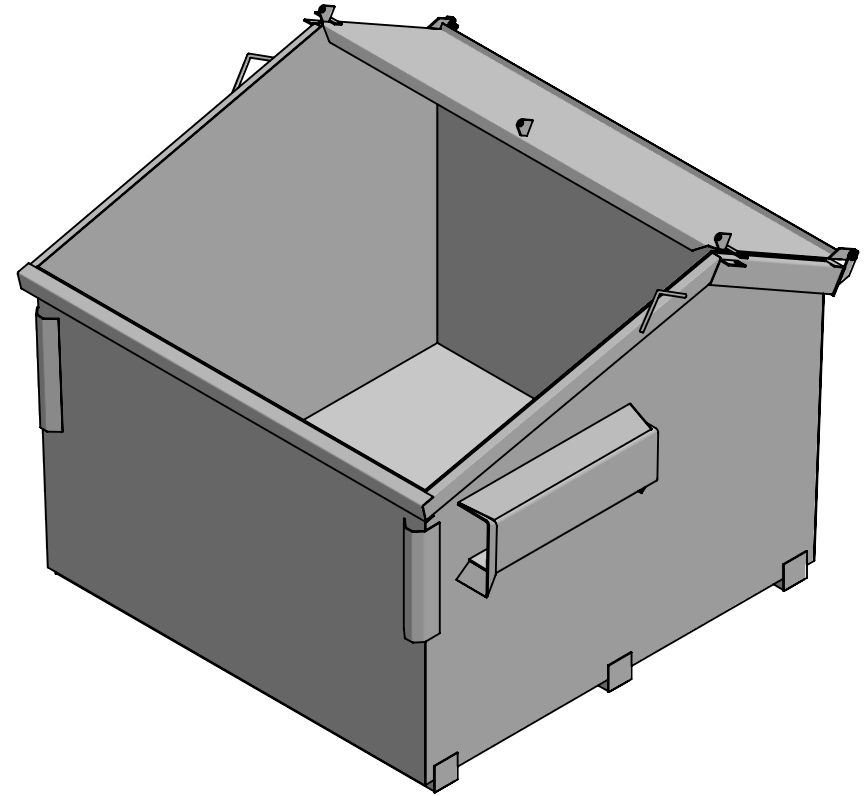
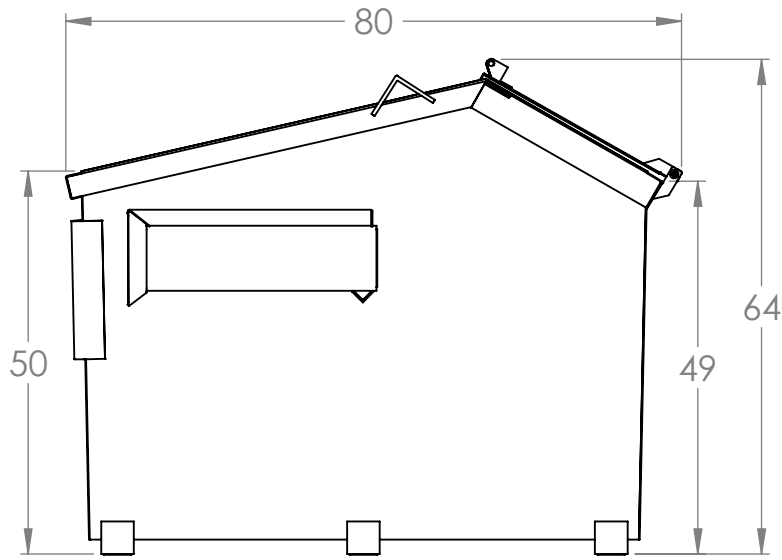


2

1



B

B

A

A

2

1

POYNETTE IRONWORKS

PROPRIETARY AND CONFIDENTIAL		TITLE:	
THE INFORMATION CONTAINED IN THIS DRAWING IS THE SOLE PROPERTY OF POYNETTE IRONWORKS. ANY REPRODUCTION IN PART OR AS A WHOLE WITHOUT THE WRITTEN PERMISSION OF POYNETTE IRONWORKS IS PROHIBITED.		UNLESS OTHERWISE SPECIFIED:	
DIMENSIONS ARE IN INCHES		PART NO:	
TOLERANCES:		6 FLST	
FRACTIONAL		SIZE	
WEIGHT		DESIGNED BY:	
±1/2		DATE:	
±5%		3/23/2020	
MATERIAL		REV	
		-	
SCALE: 1:25		WEIGHT: 835	
		SHEET 1 OF 1	