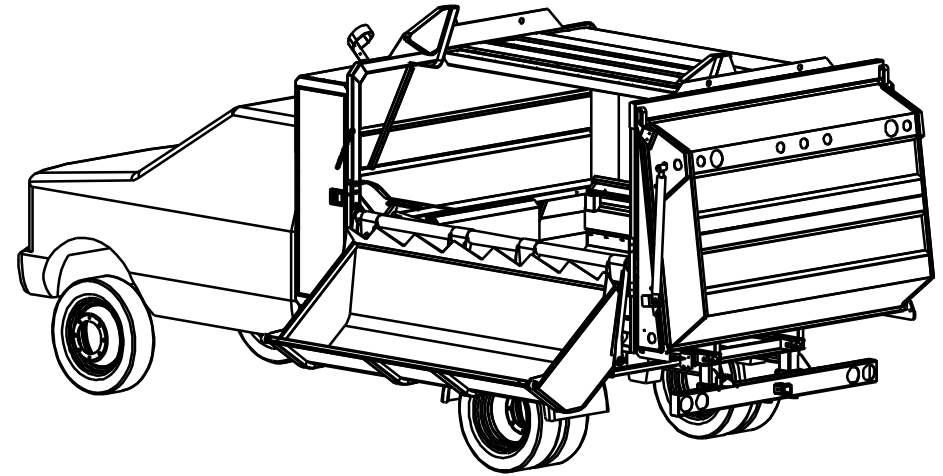
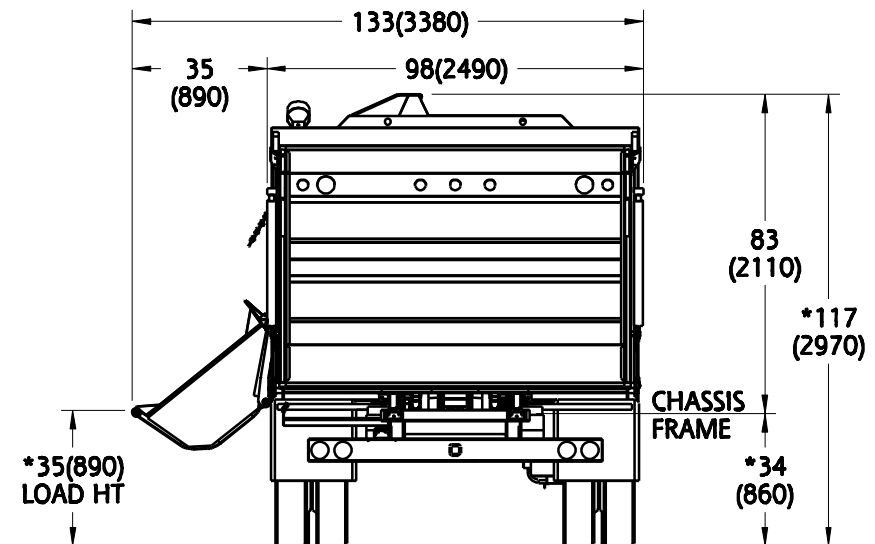
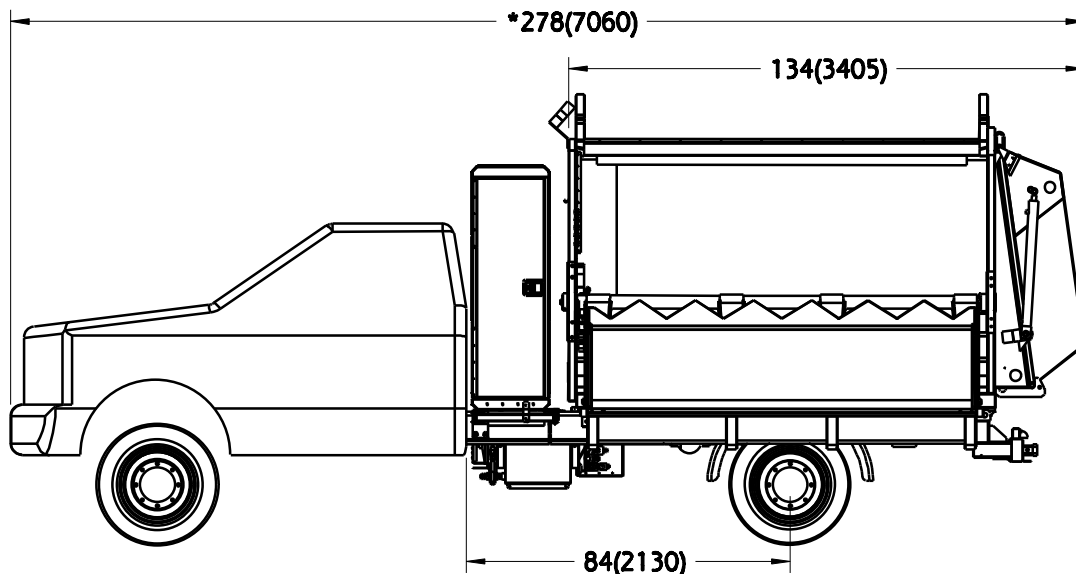


ALL SPECIFICATIONS SUBJECT TO CHANGE WITHOUT NOTICE


FEATURE	DESCRIPTION	SPECIFICATION
Capacity	Minimum Body Volume	14-1/2 cu yd (11-1/4 cu m)
	Net Body Weight	4500lbs (2040kg)
	Minimum Bucket Volume	1 cu yd (3/4 cu m)
	Minimum Bucket Capacity Weight	1000lbs (450kg)
Construction	Side Panel	14 Ga. (1.9mm) Formed Steel
	Floor	10 Ga. (3.4mm) Formed Steel
	Frame	10 Ga. (3.4mm) HSS Tubing
	Rockershaft	Re-inforced Heavy Duty Pipe
Hydraulic System	Hoist Capacity	Double Acting Cyl 45° Dump Angle
	PTO/Pump	Output @ 1200 RPM
	Hyd Valve	5 spool Directional Control
	Rated Operating Pressure	3000psi (200bars)
	Capacity	15 us gpm (56 l/min)
Load & Pack Cycle	Varies with chassis	15 sec @ 1200 RPM



* SPECIFICATIONS & DIMENSIONS ARE BASED ON A TYPICAL CHASSIS AND MAY VARY



NOTE: ALL DIMENSIONS INCHES (MILLIMETERS)

CHASSIS REQUIREMENTS	SPECIFICATION		NAME M-CLASS 1400 LH BUCKET BODY		
*Gross Vehicle Weight	19500lbs (8850kg)		PART NUMBER	SP-M1400	DRAWN BY PS
Minimum CA Distance	84in (2130mm)		DATE	FEBRUARY 11, 2010	REVISION 1
*Rear Axle Rating	13500lbs (6120kg)				
*Front Axle Rating	6000lbs (2720kg)				

HAUL-ALL EQUIPMENT LTD. reserves proprietary rights on this drawing or any part of the information contained thereon. This drawing shall be considered confidential material and is not to be used for competitive bidding nor for use in any procurements other than from Haul-All Equipment Ltd.