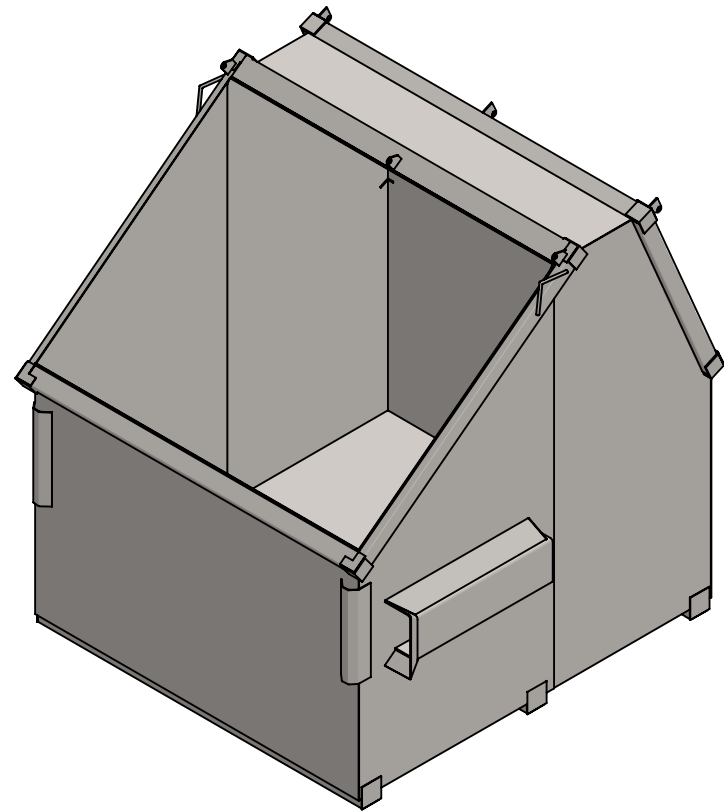
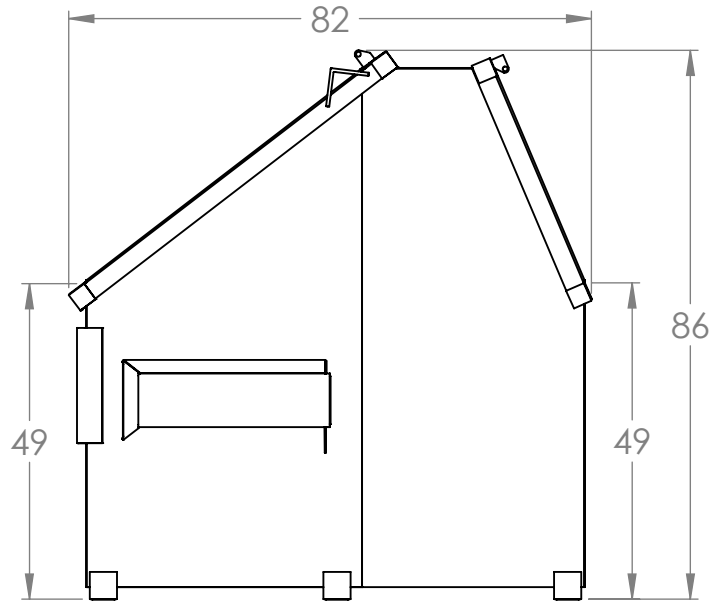


2

1

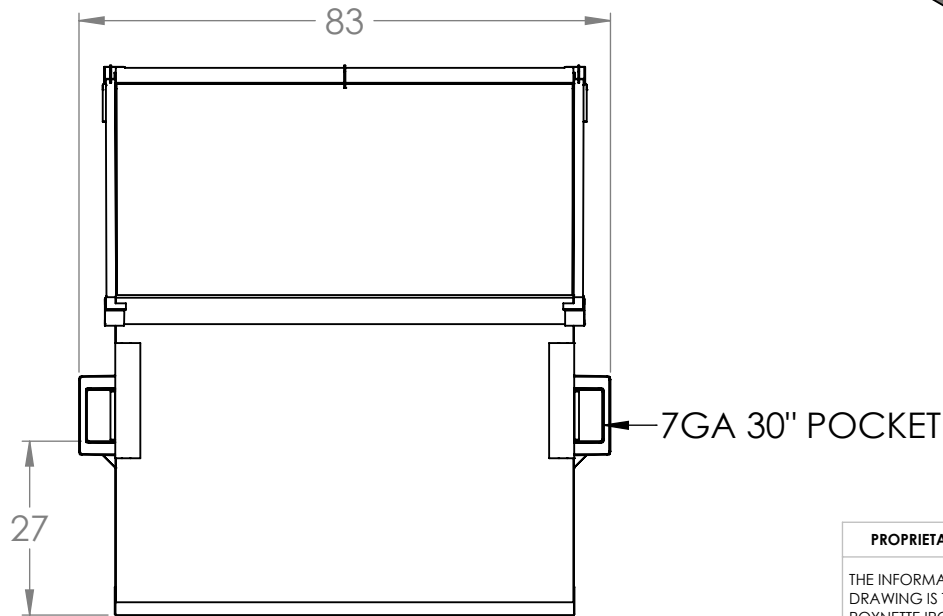
B

B



A

A



POYNETTE IRONWORKS

PROPRIETARY AND CONFIDENTIAL

THE INFORMATION CONTAINED IN THIS DRAWING IS THE SOLE PROPERTY OF POYNETTE IRONWORKS. ANY REPRODUCTION IN PART OR AS A WHOLE WITHOUT THE WRITTEN PERMISSION OF POYNETTE IRONWORKS IS PROHIBITED.

UNLESS OTHERWISE SPECIFIED:		TITLE:	
DIMENSIONS ARE IN INCHES		PART NO:	
TOLERANCES:		8 FLBN	
FRACTIONAL	±1/2	SIZE	DESIGNED BY:
WEIGHT	±5%	A	3/24/2020
MATERIAL		SCALE:	DATE:
		1:30	3/24/2020
		WEIGHT:	REV
		955	-
		SHEET	1 OF 1

2

1